

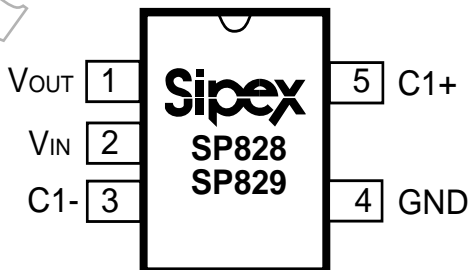
High Efficiency Voltage Inverters

- 99.9% Voltage Conversion Efficiency
- +1.5V to +5.5V Input Voltage Range
- +1.25 V_{IN} Guaranteed Start-up
- Inverts Input Supply Voltage
- Low EMI Voltage Inverter
- 50µA Quiescent Current for the **SP828**
- 130µA Quiescent Current for the **SP829**
- 25mA Output Current
- Indefinite Output Short Circuit to GND
- Low 20Ω Output Resistance
- 12kHz Operating Frequency for the **SP828**
- 35kHz Operating Frequency for the **SP829**
- Pin Compatible Enhancement to
MAX 828/829, TC828/829
- 5-pin SOT23 Package



DESCRIPTION

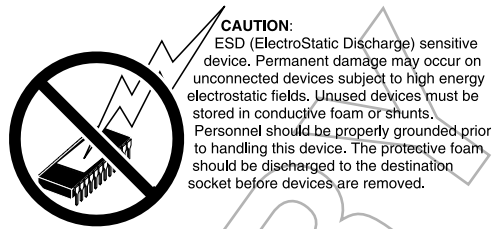
The **SP828/829** devices are CMOS Charge Pump Voltage Inverters that can be implemented in designs requiring a negative voltage from a +5V supply. The **SP828/829** devices are ideal for both battery-powered and board level voltage conversion applications with a typical operating current of 50µA for the **SP828** and 130µA for the **SP829**. Both devices can output 25mA with a voltage drop of 500mV. These devices combine a low quiescent current with high efficiency (>95% over most of its load-current range). The **SP828/829** provide a stable operating frequency, low output resistance and low EMI to enhance performance of critical analog circuitry. The **SP828/829** devices are available in a space-saving 5-pin SOT23 Package.



ABSOLUTE MAXIMUM RATINGS

These are stress ratings only and functional operation of the device at these ratings or any other above those indicated in the operation sections of the specifications below is not implied. Exposure to absolute maximum rating conditions for extended periods of time may affect reliability.

V_{IN}+7.0V
 V_{OUT}-7.0V
 V_{OUT} Short Circuit to GND.....Indefinite
 I_{OUT}50mA
 Storage Temperature.....-65°C to +150°C
 Power Dissipation per Package
 5-pin SOT23 (derate 2.98 mW/°C above +70°C)..240mW
 Lead Temperature (Soldering).....300°C
 ESD Rating.....2kV Human Body Model



SPECIFICATIONS

V_{IN} = +5.0V, C1=C2=10μF for the **SP828**, C1=C2=3.3μF for the **SP829**, and T_{AMB} = -40°C to +85°C unless otherwise noted. Typical values are taken specifically at T_{AMB} =+25°C. Test Circuit *Figure 19* unless otherwise noted.

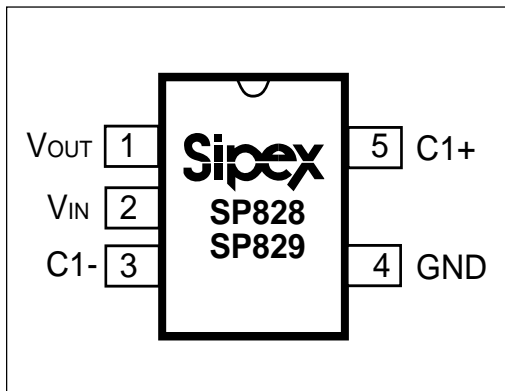
PARAMETER	MIN.	TYP.	MAX.	UNITS	CONDITIONS
Supply Voltage	1.25 1.5	1.0 1.0	5.5	V	$R_L=10k\Omega$, $T_{AMB}=+25^\circ C$, Note 1 $R_L=10k\Omega$, $T_{AMB}=-40^\circ C$ to +85° C
Supply Current		50 130	80 115 200 300	μA	SP828 , $T_{AMB}=+25^\circ C$, $R_L = \infty$ SP828 , $T_{AMB}=-40^\circ C$ to +85° C, $R_L = \infty$ SP829 , $T_{AMB}=+25^\circ C$, $R_L = \infty$ SP829 , $T_{AMB}=-40^\circ C$ to +85° C, $R_L = \infty$
Output Resistance		21	50 65	Ω	$I_{OUT}=5mA$, $T_{AMB}=+25^\circ C$ $I_{OUT}=5mA$, $T_{AMB}=-40^\circ C$ to +85° C
Oscillator Frequency	8.4 6 24.5 19	12 35	15.6 20 45.5 54.3	kHz	SP828 , $T_{AMB}=+25^\circ C$ SP828 , $T_{AMB}=-40^\circ C$ to +85° C SP829 , $T_{AMB}=+25^\circ C$ SP829 , $T_{AMB}=-40^\circ C$ to +85° C
Voltage Conversion Efficiency	95	99.9		%	$R_L = \infty$
Power Efficiency (Ideal)		98		%	$R_L=10k\Omega$, NOTE 2
Power Efficiency (Actual)		97 91		%	$R_L=10k\Omega$, NOTE 3 $I_{OUT} = 10mA$, NOTE 3

NOTE 1: $V_{OUT} = -V_{IN} + 200mV$

NOTE 2: Power Efficiency (Ideal) = $\frac{V_{OUT} \times I_{OUT}}{-V_{IN} \times (-V_{IN}/R_L)}$

NOTE 3: Power Efficiency (Actual) = $\frac{V_{OUT} \times I_{OUT}}{V_{IN} \times I_{IN}}$

PINOUT



PIN ASSIGNMENTS

Pin 1 — V_{OUT} — Inverting charge pump output.

Pin 2 — V_{IN} — Input to the positive power supply.

Pin 3 — $C1-$ — Negative terminal to the charge pump capacitor.

Pin 4 — GND — Ground reference.

Pin 5 — $C1+$ — Positive terminal to the charge pump capacitor.

TYPICAL PERFORMANCE CHARACTERISTICS

$V_{IN} = +5.0V$, $C1 = C2 = C3 = 10\mu F$ for **SP828**, $C1 = C2 = C3 = 3.3\mu F$ for **SP829**, and $T_{AMB} = 25^\circ C$ unless otherwise noted. The **SP828/829** devices use the circuit found in *Figure 19* when obtaining the following typical performance characteristics (unless otherwise noted).

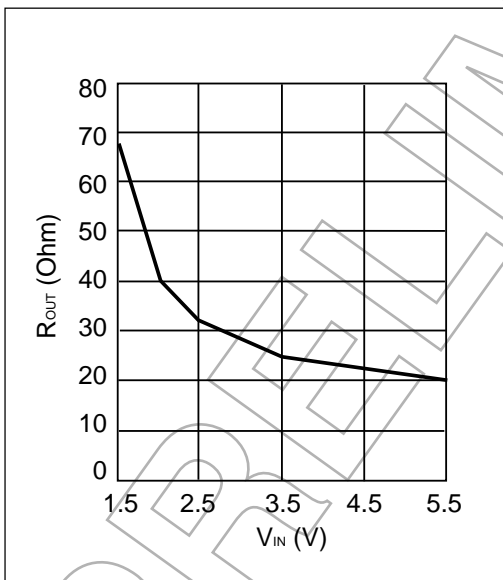


Figure 1. Output Resistance vs. Supply Voltage

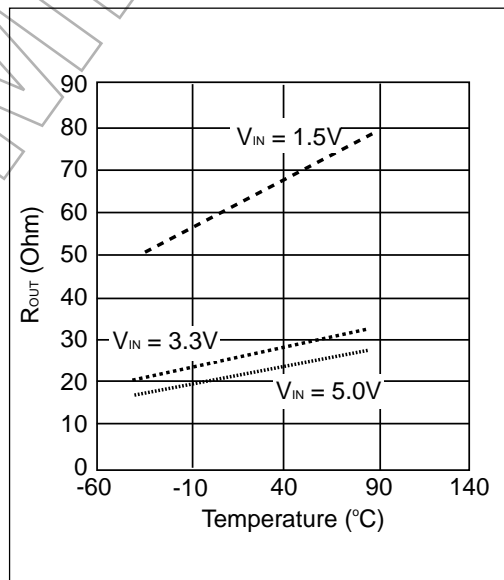


Figure 2. Output Resistance vs. Temperature

TYPICAL PERFORMANCE CHARACTERISTICS

$V_{IN} = +5.0V$, $C1 = C2 = C3 = 10\mu F$ for **SP828**, $C1 = C2 = C3 = 3.3\mu F$ for **SP829**, and $T_{AMB} = 25^{\circ}C$ unless otherwise noted. The **SP828/829** devices use the circuit found in *Figure 19* when obtaining the following typical performance characteristics (unless otherwise noted).

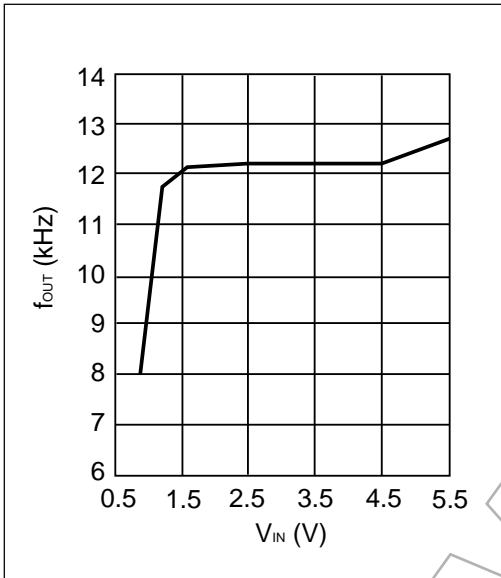


Figure 3. Charge Pump Frequency vs. Supply Voltage for the SP828

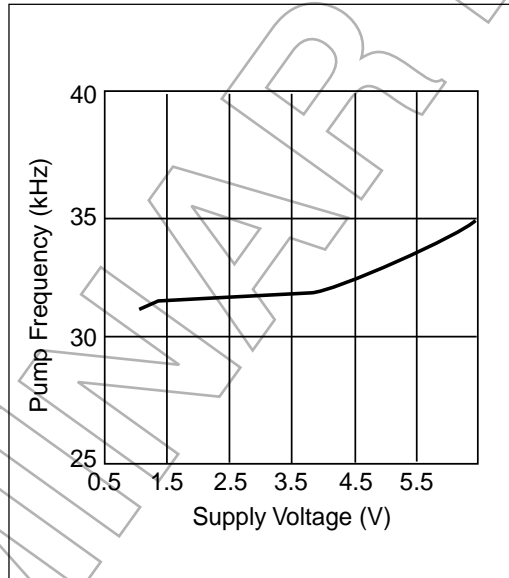


Figure 4. Charge Pump Frequency vs. Supply Voltage for the SP829

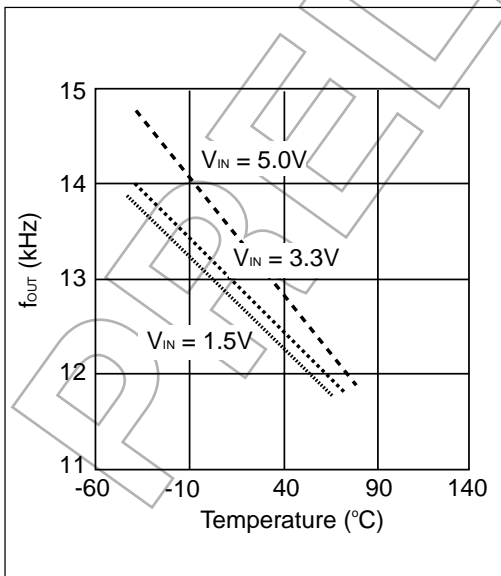


Figure 5. Charge Pump Frequency vs. Temperature for the SP828

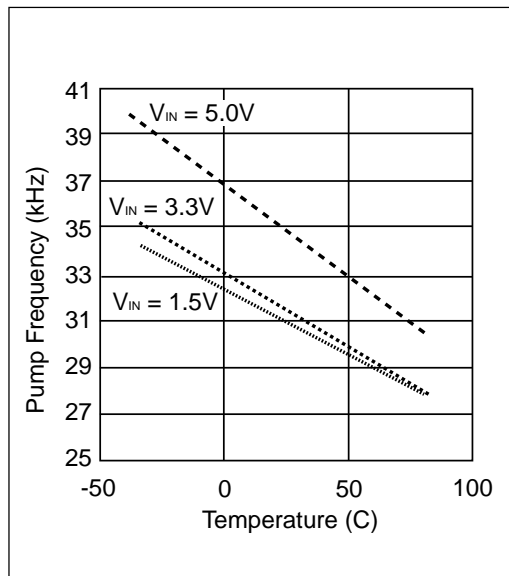


Figure 6. Charge Pump Frequency vs. Temperature for the SP829

TYPICAL PERFORMANCE CHARACTERISTICS

$V_{IN} = +5.0V$, $C1 = C2 = C3 = 10\mu F$ for **SP828**, $C1 = C2 = C3 = 3.3\mu F$ for **SP829**, and $T_{AMB} = 25^{\circ}C$ unless otherwise noted. The **SP828/829** devices use the circuit found in *Figure 19* when obtaining the following typical performance characteristics (unless otherwise noted).

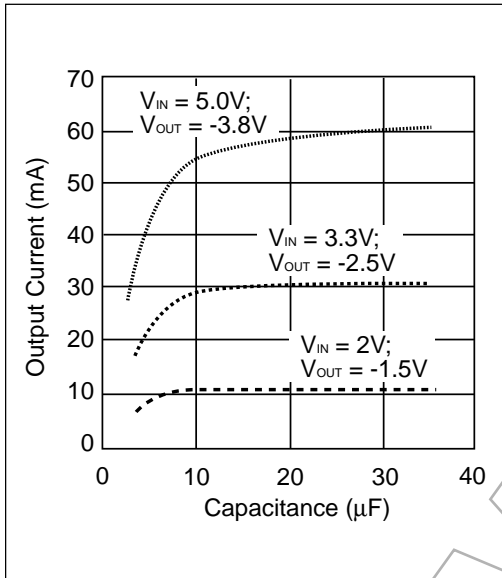


Figure 7. Output Current vs. Capacitance for the SP828

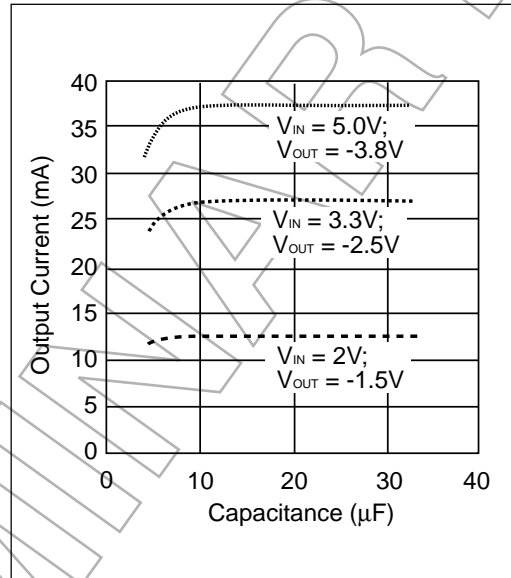


Figure 8. Output Current vs. Capacitance for the SP829

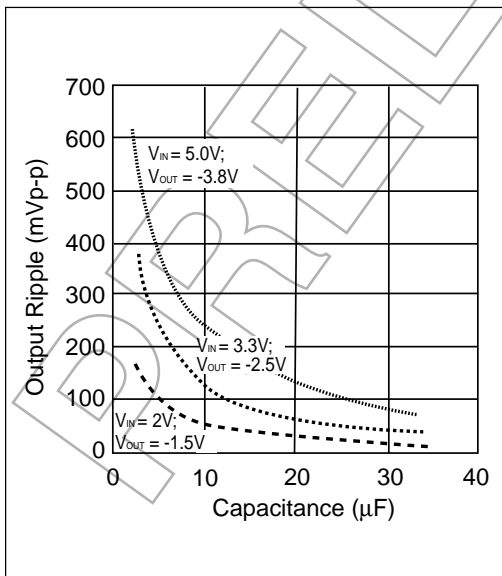


Figure 9. Output Voltage Ripple vs. Capacitance for the SP828

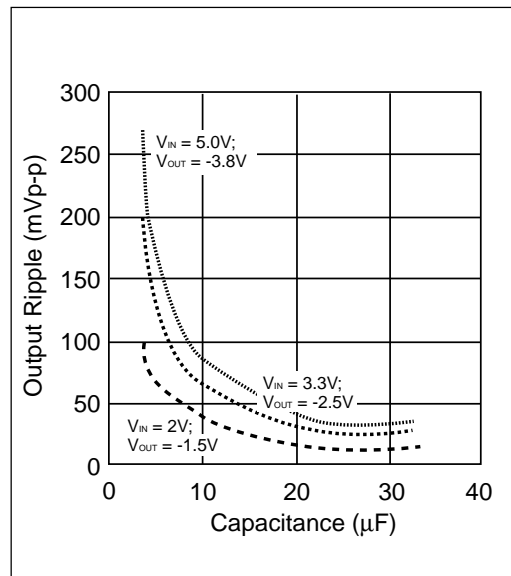


Figure 10. Output Voltage Ripple vs. Capacitance for the SP829

TYPICAL PERFORMANCE CHARACTERISTICS

$V_{IN} = +5.0V$, $C1 = C2 = C3 = 10\mu F$ for **SP828**, $C1 = C2 = C3 = 3.3\mu F$ for **SP829**, and $T_{AMB} = 25^{\circ}C$ unless otherwise noted. The **SP828/829** devices use the circuit found in *Figure 19* when obtaining the following typical performance characteristics (unless otherwise noted).

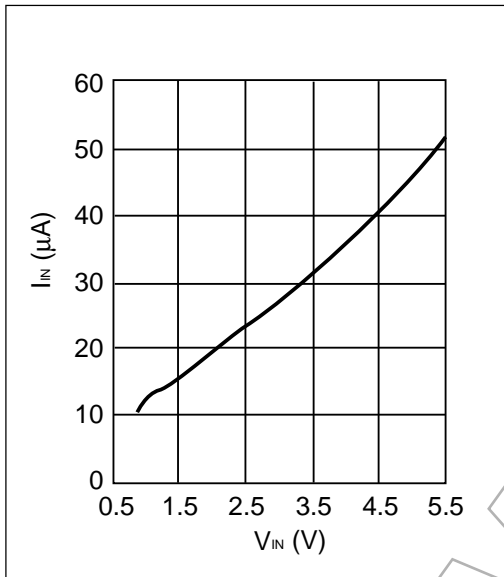


Figure 11. SP828 Supply Current vs. Supply Voltage

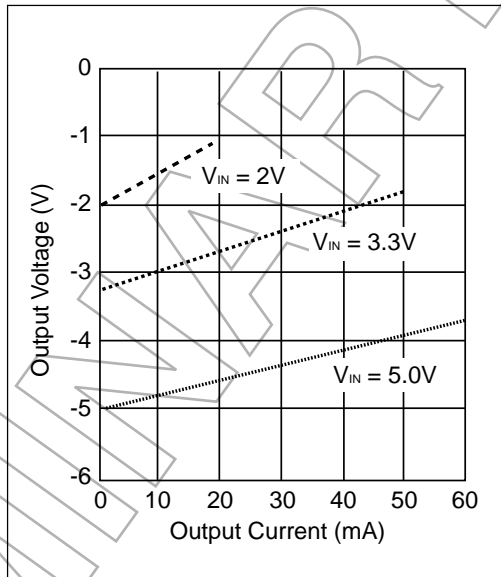


Figure 12. Output Voltage vs. Output Current

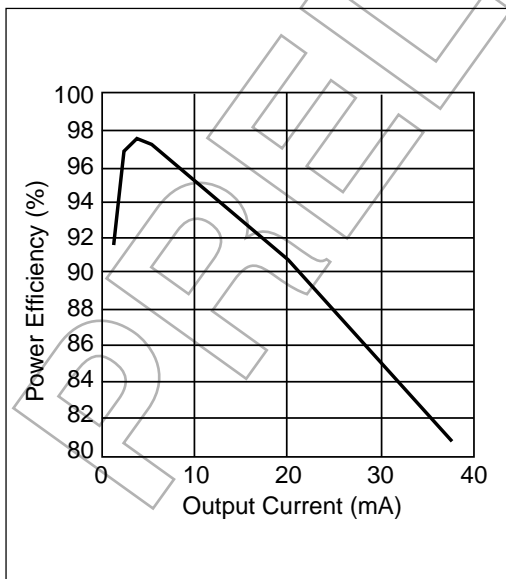


Figure 13. Power Efficiency vs. Output Current

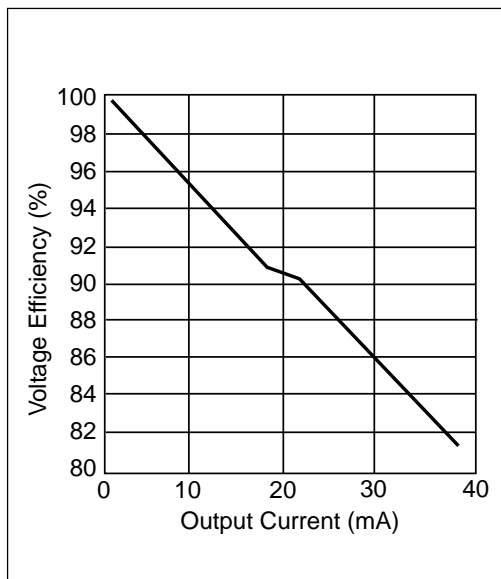


Figure 14. Voltage Efficiency vs. Output Current

TYPICAL PERFORMANCE CHARACTERISTICS

$V_{IN} = +5.0V$, $C1 = C2 = C3 = 10\mu F$ for **SP828**, $C1 = C2 = C3 = 3.3\mu F$ for **SP829**, and $T_{AMB} = 25^{\circ}C$ unless otherwise noted. The **SP828/829** devices use the circuit found in *Figure 19* when obtaining the following typical performance characteristics (unless otherwise noted).

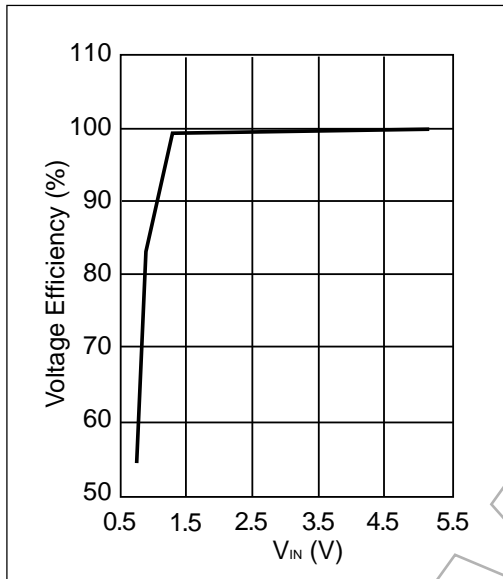


Figure 15. Voltage Efficiency vs. Supply Voltage with a 10kΩ load

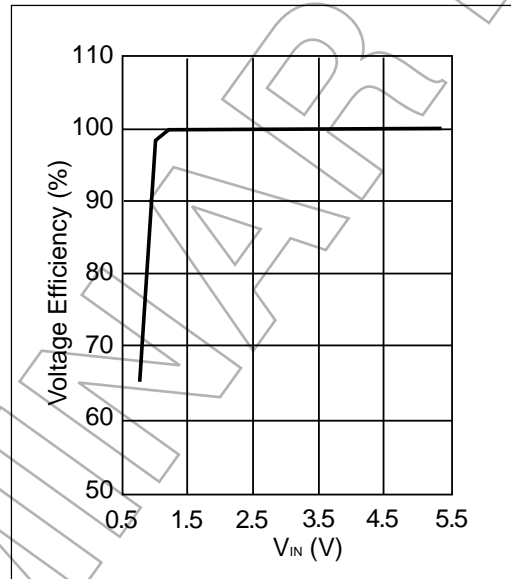


Figure 16. Voltage efficiency vs. Supply Voltage without a Load

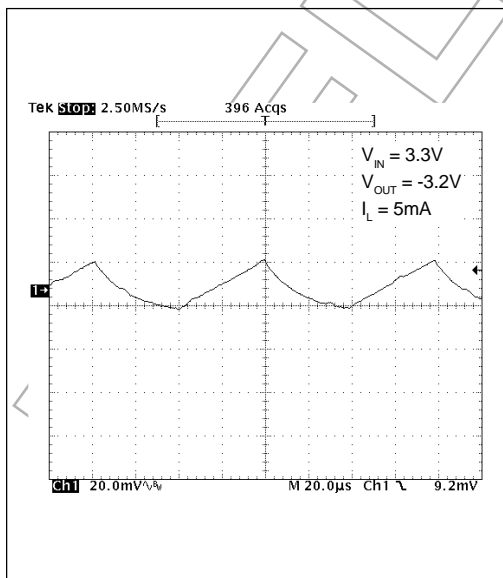


Figure 17. Output Noise and Ripple for the SP828

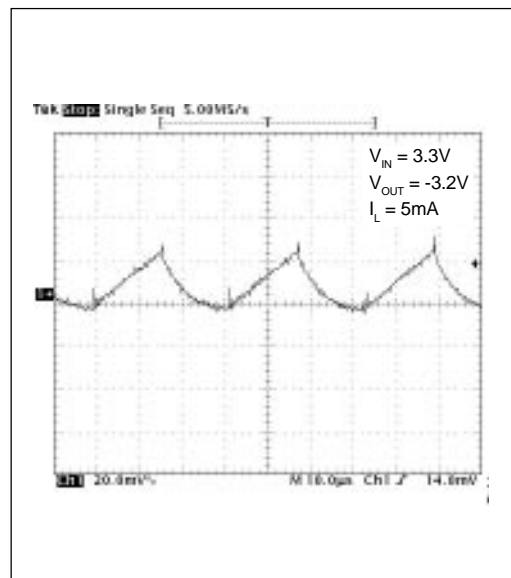


Figure 18. Output Noise and Ripple for the SP829

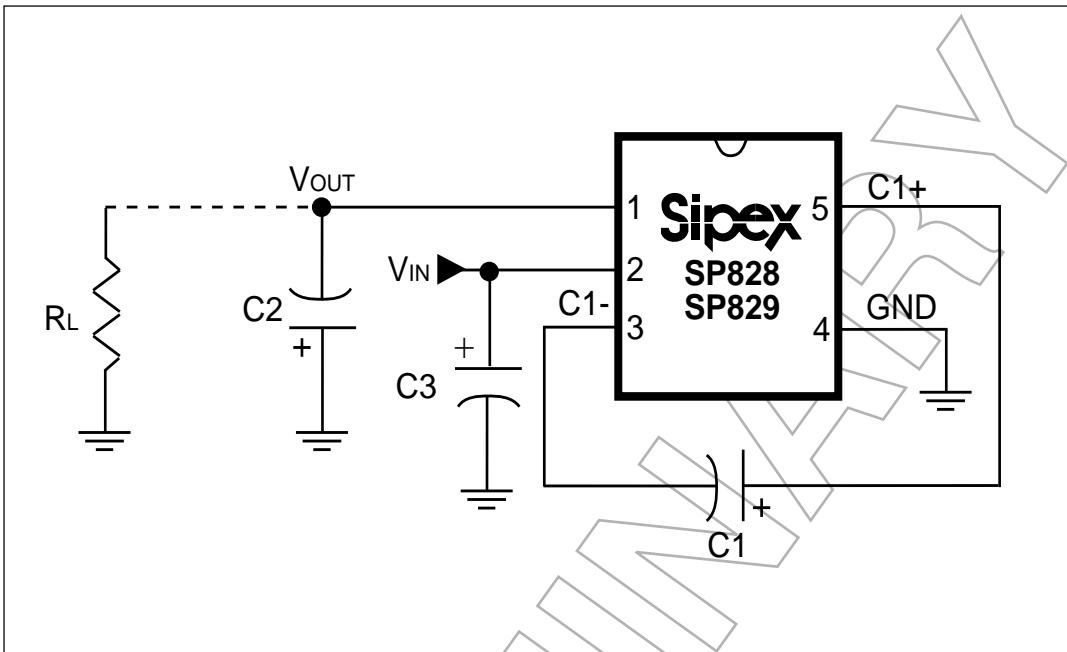


Figure 19. SP828/829 in its Typical Operating Circuit as a Negative Voltage Converter; this Circuit Was Used to Obtain the Typical Performance Characteristics Found in Figures 1 Through 18 (unless otherwise noted)

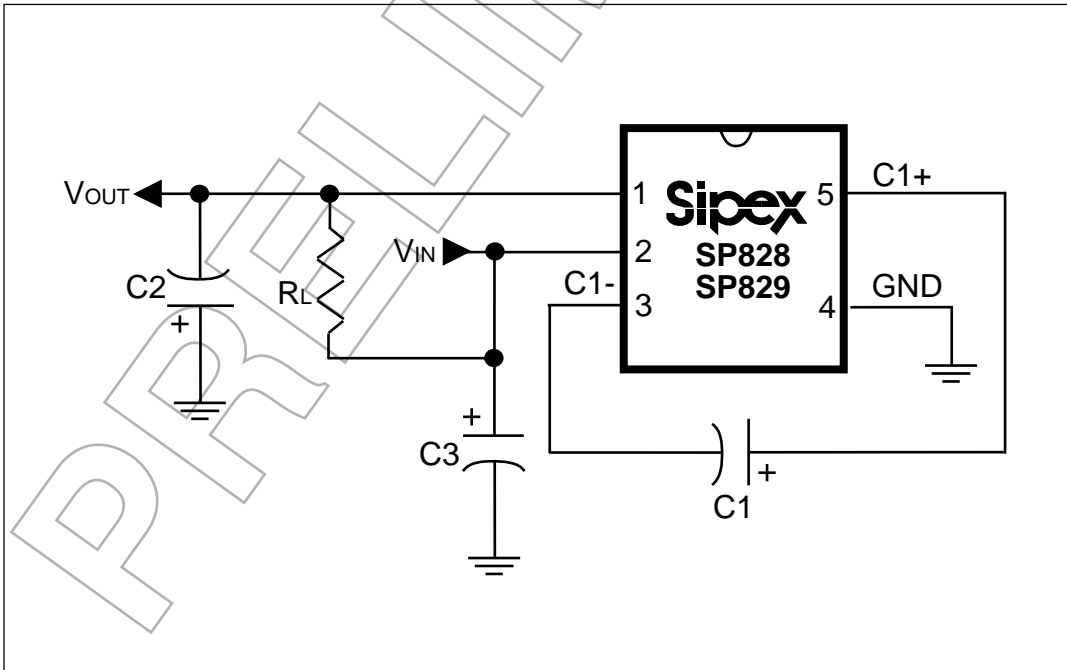


Figure 20. SP828/829 Connected as a Voltage Inverter with the load from V_{OUT} to V_{IN}

DESCRIPTION

The **SP828/829** devices are CMOS Charge Pump Voltage Converters that can be used to invert a +1.5V to +5.5V input voltage. These devices are ideal for designs involving battery-powered and board level voltage conversion applications.

The typical operating frequency of the **SP828** is 12kHz. The typical operating frequency of the **SP829** is 35kHz. The **SP828** has a typical operating current of 50 μ A and the **SP829** operates at 130 μ A. Both devices can output 25mA with a voltage drop of 500mV. These devices are ideal for both battery-powered and board level voltage inverter applications combining a low quiescent current with high efficiency (<95% over most of its load-current range).

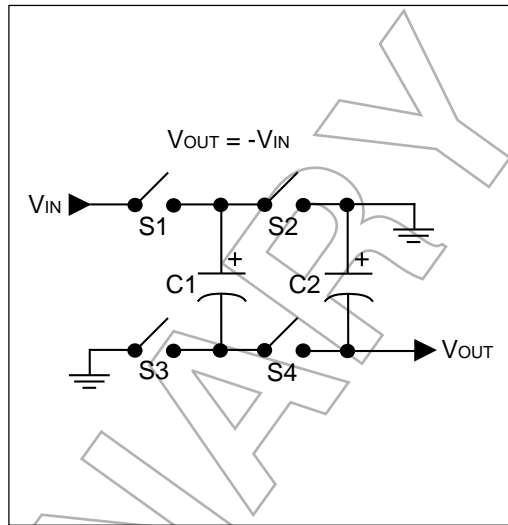


Figure 21. Circuit for an Ideal Voltage Inverter

THEORY OF OPERATION

The **SP828/829** devices should theoretically produce an inverted input voltage. In real world applications, there are small voltage drops at the output that reduce efficiency. The circuit of an ideal voltage inverter can be found in *Figure 21*. The voltage inverters require two external capacitors to store the charge. A description of the two phases follows:

Phase 1

In the first phase of the clock cycle, switches S2 and S4 are opened and S1 and S3 closed. This connects the flying capacitor, C1, from V_{IN} to ground. C1 charges up to the input voltage applied at V_{IN} .

Phase 2

In the second phase of the clock cycle, switches S2 and S4 are closed and S1 and S3 are opened. This connects the flying capacitor, C1, in parallel with the output capacitor, C2. The charge stored in C1 is now transferred to C2. Simultaneously, the negative side of C2 is connected to V_{OUT} and the positive side is connected to ground. With the voltage across C2 smaller than the voltage across C1, the charge flows from C1 to C2 until the voltage at the V_{OUT} equals $-V_{IN}$.

Charge-Pump Output

The output of the **SP828/829** devices is not regulated and therefore is dependent on the output resistance and the amount of load current. As the load current increases, losses may slightly increase at the output and the voltage may become slightly more positive. The loss at the negative output, V_{LOSS} , equals the current draw, I_{OUT} , from V_{OUT} times the negative converter's source resistance, R_S :

$$V_{LOSS} = I_{OUT} \times R_S.$$

The actual inverted output voltage at V_{OUT} will equal the inverted voltage difference of V_{IN} and V_{LOSS} :

$$V_{OUT} = -(V_{IN} - V_{LOSS}).$$

Efficiency

Theoretically, the total power loss of a switched capacitor voltage converter can be summed up as follows:

$$\Sigma P_{LOSS} = P_{INT} + P_{CAP} + P_{CONV},$$

where P_{LOSS} is the total power loss, P_{INT} is the total internal loss in the IC including any losses in the MOSFET switches, P_{CAP} is the resistive loss of

the charge pump capacitors, and P_{CONV} is the total conversion loss during charge transfer between the flying and output capacitors. These are the three theoretical factors that may effect the power efficiency of the **SP828/829** devices in designs.

Internal losses come from the power dissipated in the IC's internal circuitry.

Losses in the charge pump capacitors will be induced by the capacitors' ESR. The effects of the ESR losses and the output resistance can be found in the following equation:

$$I_{OUT}^2 \times R_{OUT} = P_{CAP} + P_{CONV}$$

and

$$R_{OUT} \approx 4 \times (2 \times R_{SWITCHES} + ESR_{C1}) + ESR_{C2} + \frac{1}{f_{OSC} \times C1}$$

where I_{OUT} is the output current, R_{OUT} is the circuit's output resistance, $R_{SWITCHES}$ is the internal resistance of the MOSFET switches, ESR_{C1} and ESR_{C2} are the ESR of their respective capacitors, and f_{OSC} is the oscillator frequency. This term with f_{OSC} is derived from an ideal switched-capacitor circuit as seen in *Figure 22*.

Conversion losses will happen during the charge transfer between the flying capacitor, C1, and the output capacitor, C2, when there is a voltage difference between them. P_{CONV} can be determined by the following equation:

$$P_{CONV} = f_{OSC} \times [\frac{1}{2} \times C1 \times (V_{IN}^2 - V_{OUT}^2) + \frac{1}{2} \times C2 \times (V_{RIPPLE}^2 - 2 \times V_{OUT} \times V_{RIPPLE})]$$

Actual Efficiency

To determine the actual efficiency of the **SP828/829** device operation, a designer can use the following equation:

$$\text{Efficiency (ACTUAL)} = \frac{P_{OUT}}{P_{IN}} \times 100\%$$

where

$$P_{OUT} = V_{OUT} \times I_{OUT}$$

and

$$P_{IN} = V_{IN} \times I_{IN}$$

where P_{OUT} is the power output, V_{OUT} is the output voltage, I_{OUT} is the output current, P_{IN} is the power from the supply driving the **SP828/829** devices, V_{IN} is the supply input voltage, and I_{IN} is the supply input current.

Ideal Efficiency

The ideal efficiency is not the true power efficiency because it is not calculated relative to the input power which includes the input current losses in the charge pump. The ideal efficiency can be determined with the following equation:

$$\text{Efficiency (IDEAL)} = \frac{P_{OUT}}{P_{OUT(IDEAL)}} \times 100\%$$

where

$$P_{OUT(IDEAL)} = -V_{IN} \times \frac{-V_{IN}}{R_L}$$

and P_{OUT} is the measured power output. Both efficiencies are provided to designers for comparison.

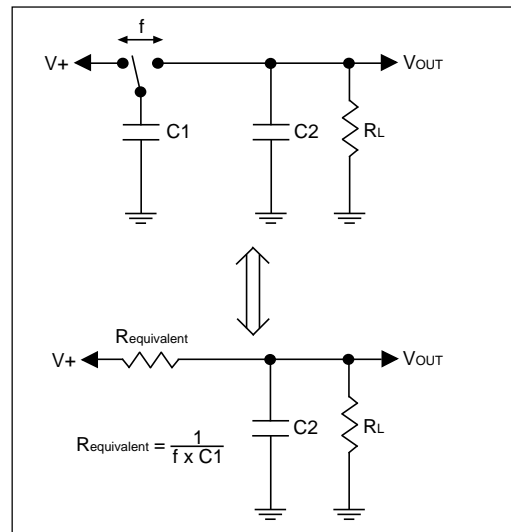


Figure 22. Equivalent Circuit for an Ideal Switched Capacitor

APPLICATION INFORMATION

For the following applications, $C1 = C2 = 10\mu\text{F}$ for the **SP828** and $C1 = C2 = 3.3\mu\text{F}$ for the **SP829**.

Capacitor Selection

Low ESR capacitors are needed to obtain low output resistance. Refer to *Table 1* for some suggested low ESR capacitors. The output resistance of the **SP828/829** devices is a function of the ESR of $C1$ and $C2$. This output resistance can be determined by the equation previously provided in the **Efficiency** section:

$$R_{\text{OUT}} \approx 4 \times (2 \times R_{\text{SWITCHES}} + \text{ESR}_{C1}) + \frac{1}{f_{\text{OSC}} \times C1} \cdot \text{ESR}_{C2}$$

where R_{OUT} is the circuit output resistance, R_{SWITCHES} is the internal resistance of the MOSFET switches, ESR_{C1} and ESR_{C2} are the ESR of their respective capacitors, and f_{OSC} is the oscillator frequency. This term with f_{OSC} is derived from an ideal switched-capacitor circuit as seen in *Figure 21*.

Minimizing the ESR of $C1$ and $C2$ will minimize the total output resistance and will improve the efficiency.

Flying Capacitor

Decreasing flying capacitor, $C1$, values will increase the output resistance of the **SP828/829** devices while increasing $C1$ will reduce the output resistance. There is a point where increasing $C1$ will have a negligible effect on the output resistance due to the domination of the output resistance by the internal MOSFET switch resistance and the total capacitor ESR.

Output Capacitor

Increasing output capacitor, $C2$, values will decrease the output ripple voltage. Reducing the ESR of $C2$ will reduce both output ripple voltage and output resistance. If higher output ripple can be tolerated in designs, smaller capacitance values for $C2$ should be used with light loads. The following equation can be used to calculate the peak-to-peak ripple voltage:

$$V_{\text{RIPPLE}} = 2 \times I_{\text{OUT}} \times \text{ESR}_{C2} + \frac{I_{\text{OUT}}}{f_{\text{OSC}} \times C2}$$

Input Bypass Capacitor

The bypass capacitor at the input pin will reduce AC impedance and the impact of any of the **SP828/829** devices' switching noise. It is recommended that for heavy loads a bypass capacitor approximately equal to the flying capacitor, $C1$, be used. For light loads, the value of the bypass capacitor can be reduced.

When loading the **SP828/829** devices from IN to OUT, the input current remains constant (disregarding any spikes due to internal switching). Implementing a $0.1\mu\text{F}$ bypass capacitor should be sufficient.

When loading the **SP828/829** devices from OUT to GND, the current from the supply will flow into the input for half of the cycle and will be zero for the other half of the cycle. Designers should implement a large bypass capacitor ($C3 = C1$) if the supply has a high AC impedance.

Negative Voltage Converter

The typical operating circuit for the **SP828/829** devices is a negative voltage converter. Refer to *Figure 19*. This circuit is used to obtain the Typical Performance Characteristics found in *Figures 1 to 18* (unless otherwise noted).

Voltage Inverter with the Load from V_{OUT} to V_{IN}

A designer can find the most common application for the **SP828/829** devices in *Figure 20* as a voltage inverter. The only external components needed are 3 capacitors: the flying capacitor, $C1$, the output capacitor, $C2$, and the bypass capacitor, $C3$ (if necessary).

Driving Excessive Loads

The output should never be pulled above ground. A designer should implement a Schottky diode (1N5817) from OUT to GND when driving heavy loads where a higher supply is sourcing current into OUT. Refer to *Figure 23* for this circuit connection.

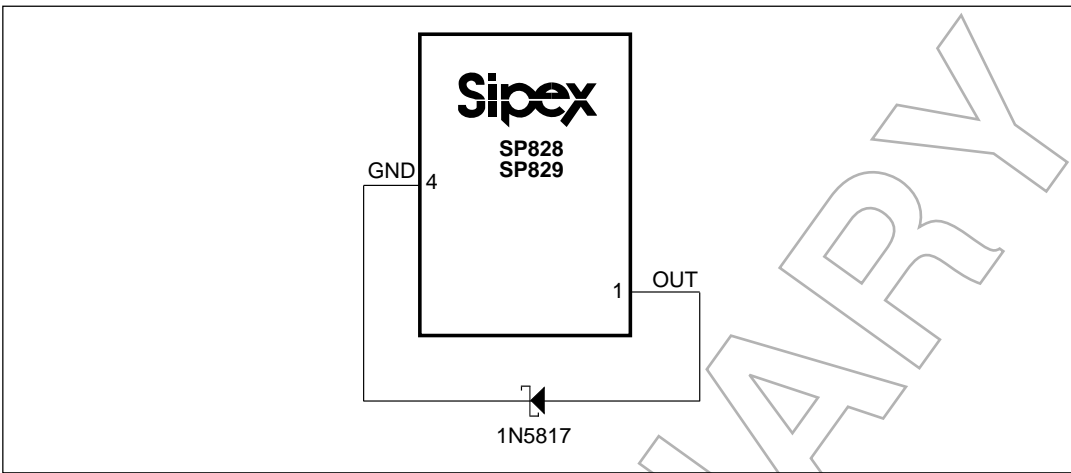


Figure 23. Protection for Heavy Loads

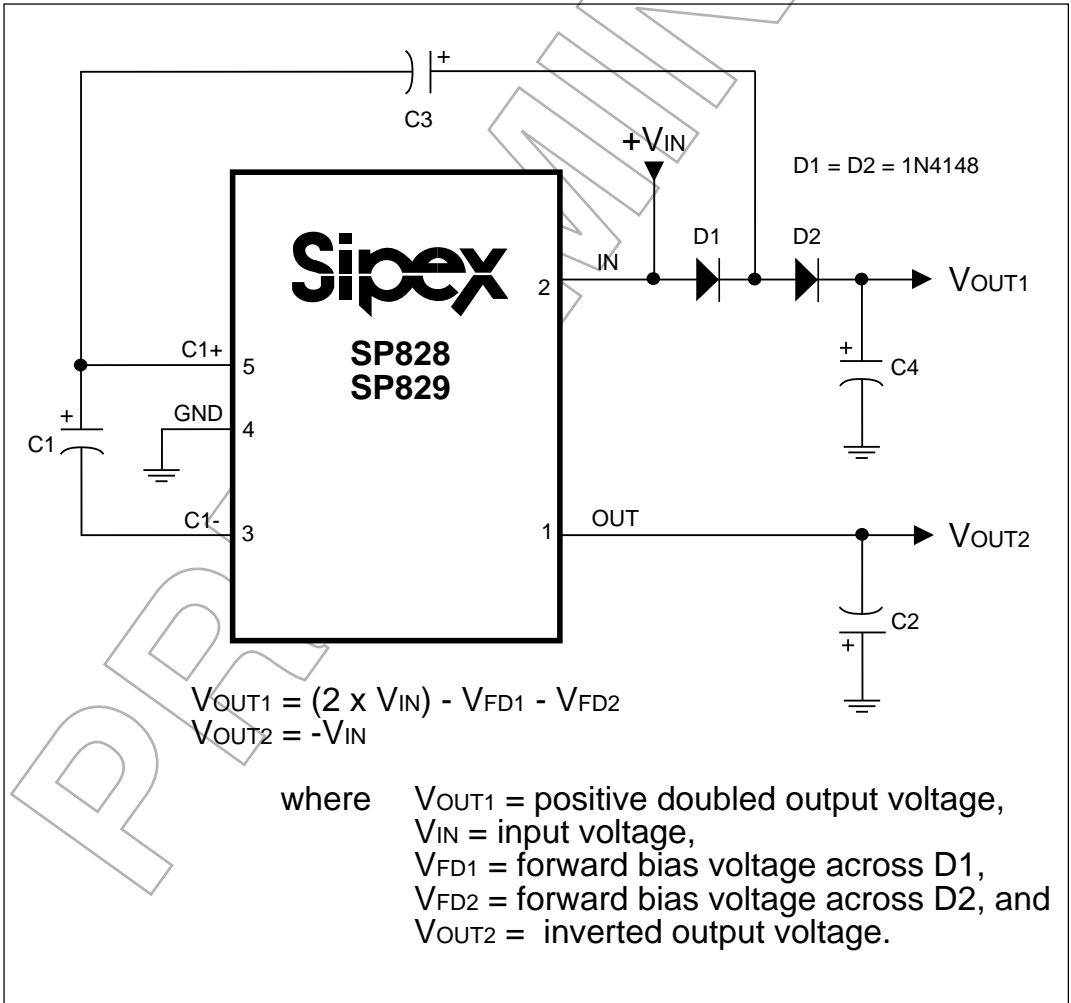


Figure 24. SP828/829 Device Connected in a Doubler/Inverter Combination Circuit

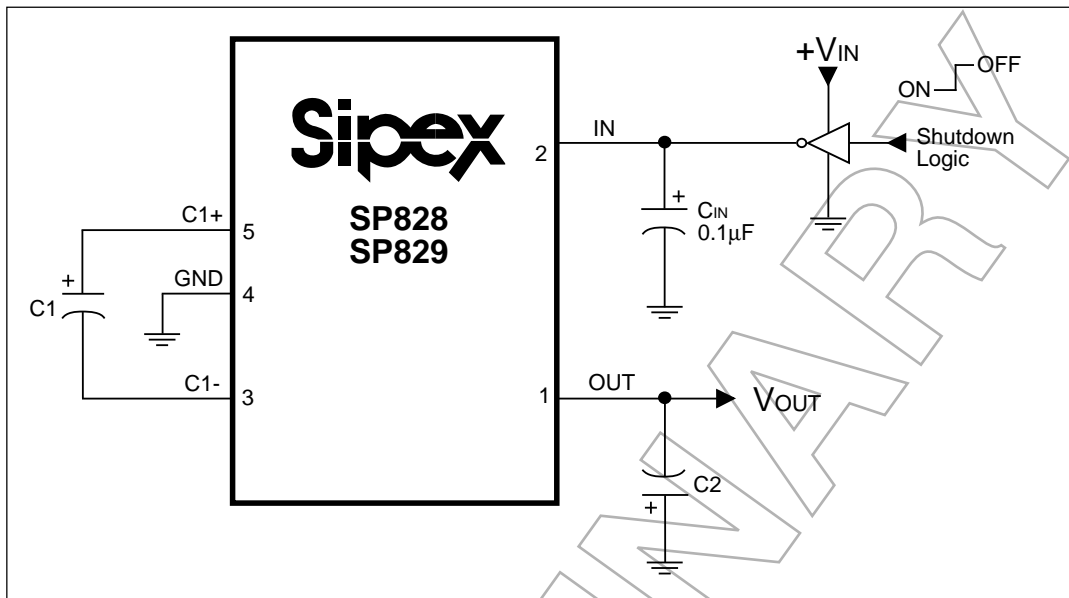


Figure 25. SP828/829 Device with Shutdown Control

Combining a Doubler and Inverter Circuit

A designer can connect a **SP828/829** device in a combination doubler/inverter circuit as seen in *Figure 24*. The doubler uses capacitors C3 and C4 while the inverter uses C1 and C2. Loading either output decreases both output voltages to GND because both the doubler and the inverter circuits use the charge pump. Designers should not allow the total current output from the doubler and the inverter to exceed 40mA.

Implementing Shutdown

If shutdown control of the **SP828/829** devices is necessary, the circuit found in *Figure 25* can be implemented. The 0.1µF capacitor at IN absorbs transient input currents. The output resistance of the devices can be determined by the following equation:

$$R_{OUT} = 20 + 2 \times R_{BUFFER}$$

where R_{OUT} is the output resistance and R_{BUFFER} is the output resistance of the buffer driving IN. R_{BUFFER} can be reduced by connecting multiple buffers in parallel at IN. The polarity of the SHUTDOWN signal can be changed by using a noninverting buffer to drive IN.

Connecting in Parallel

A designer can parallel a number of **SP828/829** devices to reduce the output resistance for specific designs. All devices will need their own flying capacitor, C1, but a single output capacitor will serve all of the devices connected in parallel by increasing the capacitance of C2 by a factor of n where n equals the total number of devices connected. This connection can be found in *Figure 26*.

Cascading Devices

A designer can cascade **SP828/829** devices to produce a larger inverted voltage output. Refer to *Figure 27* for this circuit connection. With two cascaded devices, the unloaded output voltage is decreased by the output resistance of the first device multiplied by the quiescent current of the second device connected. The total output resistance is greatly increased when more than two devices are cascaded.

Layout and Grounding

Designers should make an effort to minimize noise by paying special attention to the circuit layout with the **SP828/829** devices. External components should be connected in close proximity to the device and a ground plane should be implemented. This will keep electrical traces short minimizing parasitic inductance and capacitance.

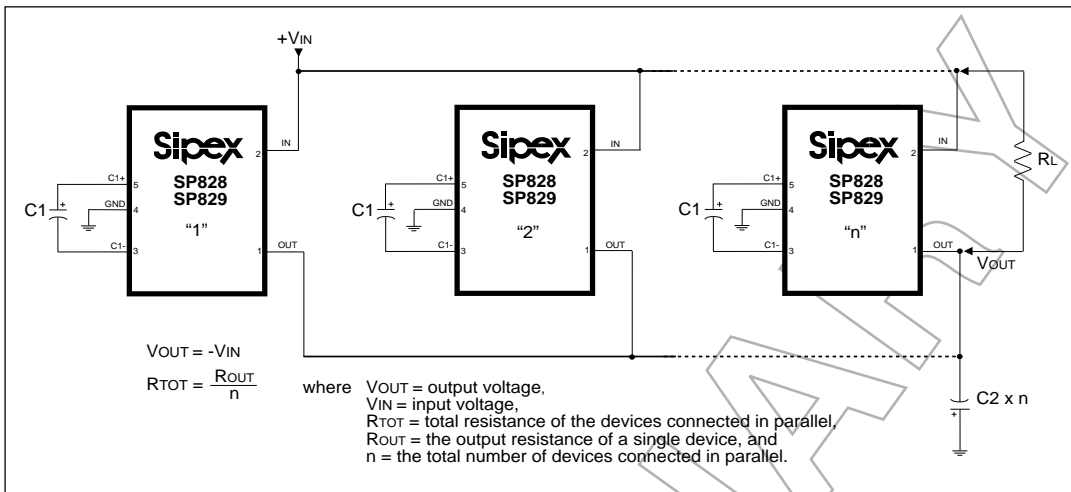


Figure 26. SP828/829 Devices Connected in Parallel to Reduce Total Output Resistance

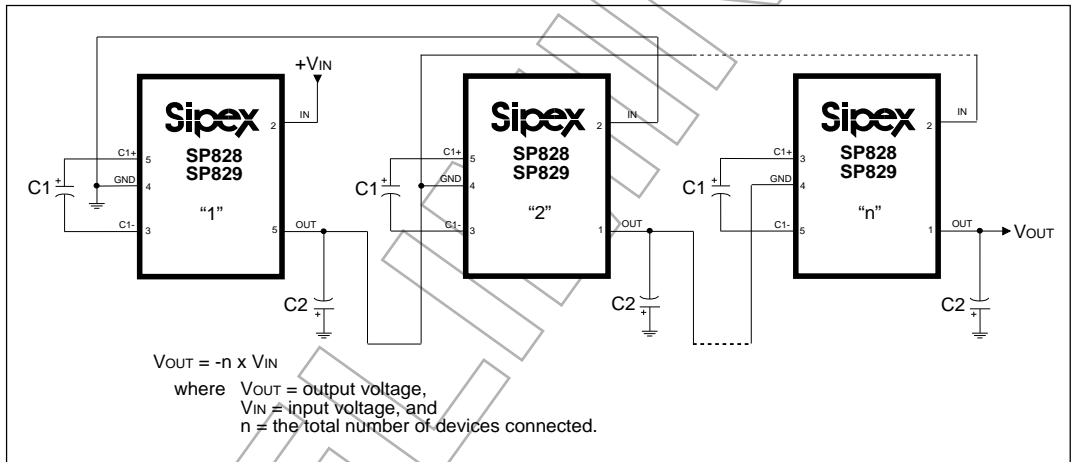
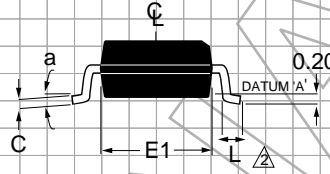
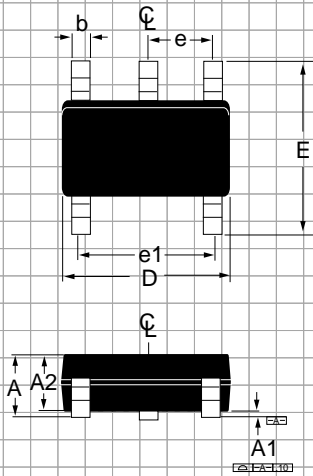


Figure 27. SP828/829 Devices Cascaded to Increase Output Voltage

SIPEX PART NUMBER	MANUFACTURER	PART NUMBER	CAPACITANCE / VOLTAGE	MAX ESR @ 100kHz	PACKAGE
SP828	AVX	TPSC106*025	10μF / 25V	0.5Ω	SM Case C
SP828	SPRAGUE	593D106X035	10μF / 35V	0.3Ω	SM Case D
SP828	KEMET	T494C106*020	10μF / 20V	0.5Ω	SM Case C
SP828	SANYO-OSCON	94SC106X0016C	10μF / 16V	0.15Ω	Radial Case C
SP829	KEMET	T494B335*020	3.3μF / 20V	1.5Ω	SM Case B
SP829	SPRAGUE	595D335X0035	3.3μF / 35V	2.0Ω	SM Case C
SP829	SANYO-OSCON	94SC335X0016A	3.3μF / 16V	0.35Ω	Radial Case A

Table 1. Suggested Low ESR Tantalum Capacitors

PACKAGE: SOT23-5



SYMBOL	MIN	MAX
A	0.90	1.45
A1	0.00	0.15
A2	0.90	1.30
b	0.25	0.50
C	0.09	0.20
D	2.80	3.10
E	2.60	3.00
E1	1.50	1.75
L	0.35	0.55
e	0.95ref	
e1	1.90ref	
a	0°	10°

ORDERING INFORMATION

Model	Temperature Range	Package Type
SP828EK.....	-40°C to +85°C	SOT23-5
SP829EK.....	-40°C to +85°C	SOT23-5

Please consult the factory for pricing and availability on a Tape-On-Reel option.



SIGNAL PROCESSING EXCELLENCE

Sipex Corporation

Headquarters and Sales Office

22 Linnell Circle
Billerica, MA 01821
TEL: (978) 667-8700
FAX: (978) 670-9001
e-mail: sales@sipex.com

Sales Office

233 South Hillview Drive
Milpitas, CA 95035
TEL: (408) 934-7500
FAX: (408) 935-7600

European Sales Offices:

ENGLAND:

Sipex Corporation
2 Linden House
Turk Street
Alton Hampshire GU34 1AN
England
TEL: 44-1420-549527
FAX: 44-1420-542700
e-mail: mikeb@sipex.co.uk

GERMANY:

Sipex GmbH
Gautinger Strasse 10
82319 Starnberg
TEL: 49.81.51.89810
FAX: 49.81.51.29598
e-mail: sipex-starnberg@t-online.de

Far East:

JAPAN:

Nippon Sipex Corporation
Yahagi No. 2 Building
3-5-3 Uchikanda, Chiyoda-ku
Tokyo 101
TEL: 81.3.3256.0577
FAX: 81.3.3256.0621

Sipex Corporation reserves the right to make changes to any products described herein. Sipex does not assume any liability arising out of the application or use of any product or circuit described hereing; neither does it convey any license under its patent rights nor the rights of others.