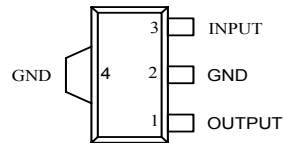


## 100mA 3-Terminal Positive Voltage Regulator

### Features

- Output Current up to 100 mA
- Fixed Output Voltage of 5V and 12V
- Output Voltage Tolerances of  $\pm 5\%$  over the Full Temperature Range
- Internal Short Circuit Current-Limiting
- Internal Thermal Overload Protection
- No External Components
- Available in Lead Free, RoHS Compliant Packaging

### SOT-89 Package



### Applications

- High Efficiency Linear Regulator
- Post Regulation for Switching Supply
- Microprocessor Power Supply
- Mother Board I/O Power Supply

### General Description

The SP78LXX series are three terminal positive regulators with several fixed output voltages. These regulators can provide local on-card regulation, eliminating distribution problems associated with single point regulation. The SP78LXX can be used in logic systems, instrumentation, HiFi, and other solid state electronic equipment. When used as a Zener diode/resistor combination replacement, the SP78LXX usually results an effective output impedance improvement of two orders of magnitude, and lower quiescent current.

With adequate heat sinking the SP78LXX can deliver 100 mA output current. Current limiting is included to limit the peak output current to a safe value. Thermal protection is also provided. If internal power dissipation becomes too high for the heat sinking provided, the thermal shutdown circuit takes over preventing the IC from overheating.

The SP78LXX are available in the plastic TO-92, NSOIC-8, SOT-223 and SOT-89 packages.

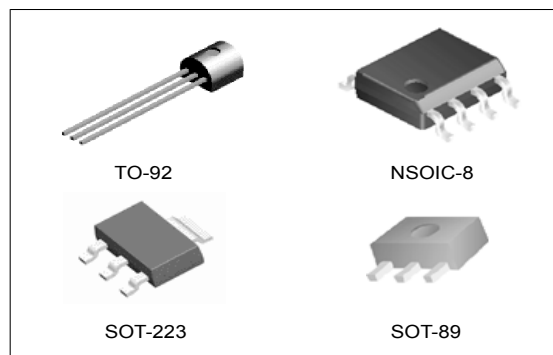
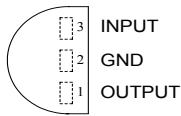


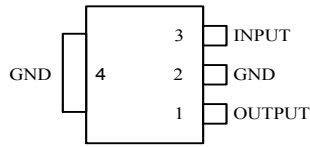
Figure 1. Package Types of the SP78LXX

# Pin Configuration

N1 Package  
(TO-92)

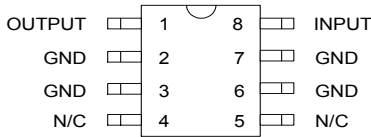


M3 Package  
(SOT-223)



Connect pin 4 to pin 2 or leave pin 4 electrically isolated

N Package  
(NSOIC-8)



M4 Package  
(SOT-89)

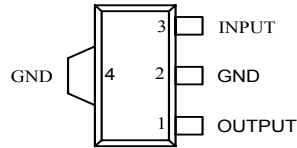


Figure 2. Pin Configuration of the SP78LXX (Top View)

# Functional Block Diagram

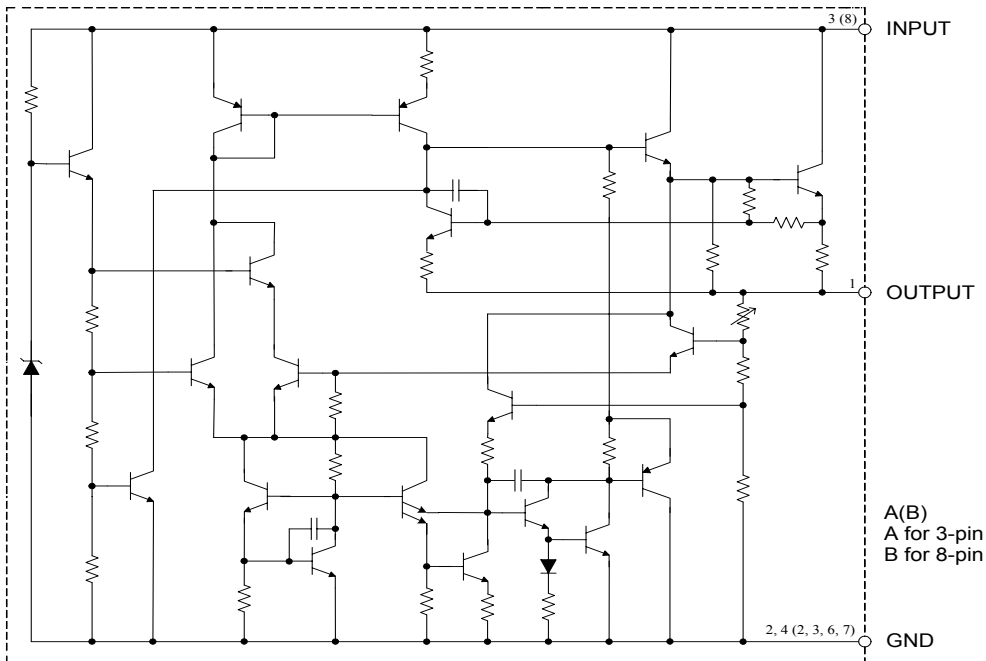


Figure 3. Functional Block Diagram of the SP78LXX

## Absolute Maximum Ratings (Note 1)

Parameter	Symbol	Value		Unit
Input Voltage	$V_{CC}$	20		V
Operating Junction Temperature Range	$T_J$	0 to 125		°C
Lead Temperature (Soldering, 10sec)	$T_{LEAD}$	265		°C
Power Dissipation ( $T_A=25^{\circ}\text{C}$ )	$P_D$	TO-92	0.65	W
		NSOIC	0.6	
		SOT-223	0.7	
		SOT-89	0.65	
Storage Temperature Range	$T_{STG}$	-65 to 150		°C
ESD (Machine Model)		300		V

Note 1: Stresses greater than those listed under "Absolute Maximum Ratings" may cause permanent damage to the device. These are stress ratings only, and functional operation of the device at these or any other conditions beyond those indicated under "Recommended Operating Conditions" is not implied. Exposure to "Absolute Maximum Ratings" for extended periods may affect device reliability.

## Recommended Operating Conditions

Parameter	Symbol	Min	Max	Unit
Operating Junction Temperature Range	$T_J$	0	125	°C

## Electrical Characteristics

### SP78L05 Electrical Characteristics

Limits in standard typeface are for  $T_J=25^{\circ}\text{C}$ , **Bold typeface applies over  $0^{\circ}\text{C}$  to  $125^{\circ}\text{C}$** ,  $I_O=40\text{ mA}$ ,  $C_I=0.33\mu\text{F}$ ,  $C_O=0.1\mu\text{F}$ ,  $V_I=10\text{V}$ , unless otherwise specified.

Parameter	Symbol	Conditions	Min	Typ	Max	Unit
Output Voltage	$V_O$		4.8	5	5.2	V
		$7.0\text{V} \leq V_I \leq 15\text{V}$ $1.0\text{mA} \leq I_O \leq 40\text{mA}$ (Note 2)	<b>4.75</b>		<b>5.25</b>	
Line Regulation	$V_{RLINE}$	$7.0\text{V} \leq V_I \leq 15\text{V}$		18	75	mV
Load Regulation	$V_{RLOAD}$	$1.0\text{mA} \leq I_O \leq 100\text{mA}$		20	60	mV
Quiescent Current	$I_Q$			3	5	mA
Quiescent Current Change	$\Delta I_Q$	$8.0\text{V} \leq V_I \leq 15\text{V}$			<b>1.0</b>	mA
		$1.0\text{mA} \leq I_O \leq 40\text{mA}$			<b>0.1</b>	
Output Noise Voltage	$N_O$	$10\text{Hz} \leq f \leq 100\text{kHz}$ (Note 3)		40		$\mu\text{V}$
Ripple Rejection	$\Delta V_I / \Delta V_O$	$f=120\text{Hz}$ , $8.0\text{V} \leq V_I \leq 15\text{V}$	47	62		dB
Peak Output Current	$I_{PK}$			150		mA
Average Temperature Coefficient of Output Voltage	$\Delta V_O / \Delta T$	$I_O = 5.0\text{mA}$		-0.65		$\text{mV} / ^{\circ}\text{C}$
Minimum Value of Input Voltage Required to Maintain Line Regulation	$V_I(\text{Min})$			6.7	7	V

Note 2: Power Dissipation  $\leq 0.6\text{W}$

Note 3: Recommended minimum load capacitance of  $0.01\mu\text{F}$  to limit high frequency noise.

## Electrical Characteristics (Continued)

### SP78L12 Electrical Characteristics

Limits in standard typeface are for  $T_J=25^\circ\text{C}$ , **Bold typeface applies over  $0^\circ\text{C}$  to  $125^\circ\text{C}$** ,  $I_O=40\text{ mA}$ ,  $C_I=0.33\mu\text{F}$ ,  $C_O=0.1\mu\text{F}$ ,  $V_I=18\text{V}$ , unless otherwise specified.

Parameter	Symbol	Conditions	Min	Typ	Max	Unit
Output Voltage	$V_O$		11.5	12	12.5	V
		$15\text{V} \leq V_I \leq 18\text{V}$ $1.0\text{mA} \leq I_O \leq 40\text{mA}$ (Note 2)	<b>11.4</b>		<b>12.6</b>	
Line Regulation	$V_{RLINE}$	$15\text{V} \leq V_I \leq 18\text{V}$		18	75	mV
Load Regulation	$V_{RLOAD}$	$1.0\text{mA} \leq I_O \leq 100\text{mA}$		20	90	mV
Quiescent Current	$I_Q$			3	5	mA
Quiescent Current Change	$\Delta I_Q$	$15\text{V} \leq V_I \leq 18\text{V}$			<b>1.5</b>	mA
		$1.0\text{mA} \leq I_O \leq 40\text{mA}$			<b>0.1</b>	
Output Noise Voltage	$N_O$	$10\text{Hz} \leq f \leq 100\text{kHz}$ (Note 3)		80		$\mu\text{V}$
Ripple Rejection	$\Delta V_I / \Delta V_O$	$f=120\text{Hz}$ , $15\text{V} \leq V_I \leq 18\text{V}$	40	54		dB
Peak Output Current	$I_{PK}$			150		mA
Average Temperature Coefficient of Output Voltage	$\Delta V_O / \Delta T$	$I_O = 5.0\text{mA}$		-1.0		mV/°C
Minimum Value of Input Voltage Required to Maintain Line Regulation	$V_I(\text{Min})$			13.7		V

Note 2: Power Dissipation  $\leq 0.6\text{W}$

Note 3: Recommended minimum load capacitance of  $0.01\mu\text{F}$  to limit high frequency noise.

# Typical Performance Characteristics

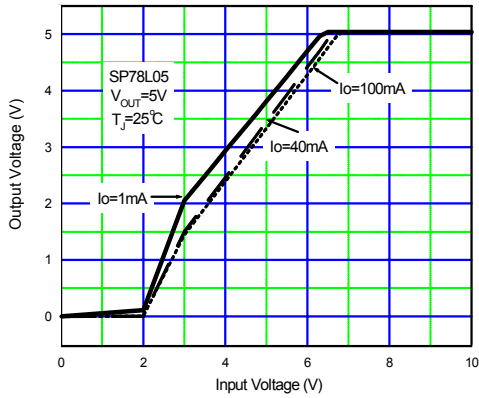


Figure 4. Dropout Characteristics

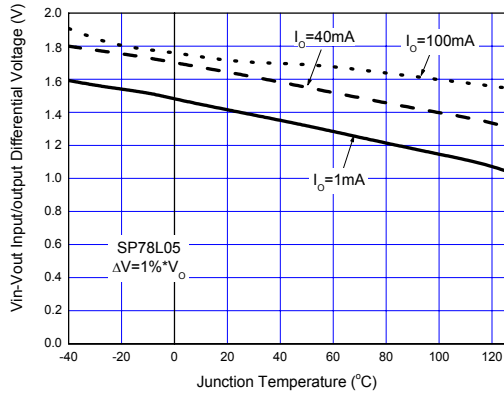


Figure 5. Dropout Voltage vs. Junction Temperature

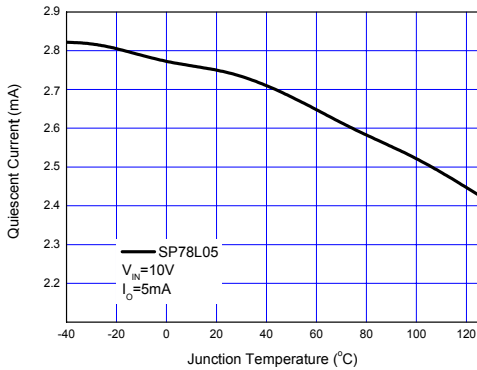


Figure 6. Quiescent Current vs. Junction Temperature

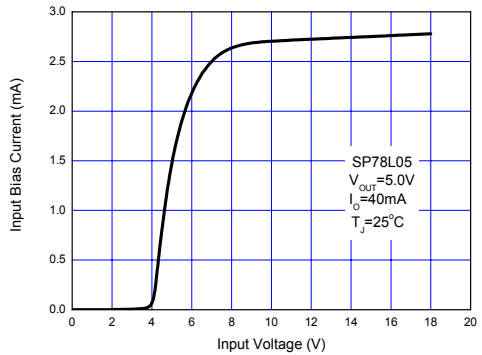


Figure 7. Input Bias Current vs. Input Voltage

## Typical Performance Characteristics (Continued)

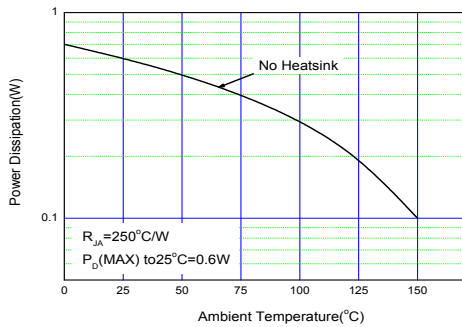


Figure 8. Maximum Power Dissipation vs. Ambient Temperature (NSOIC-8 Package)

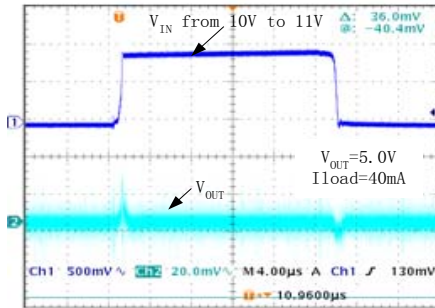


Figure 9. Line Transient Response

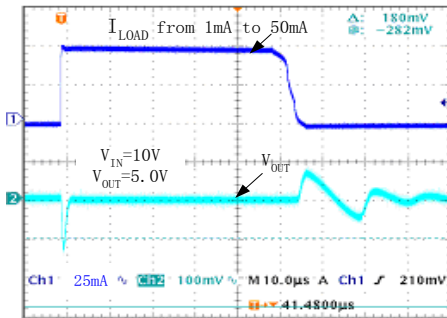
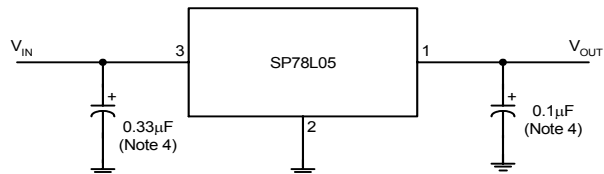


Figure 10. Load Transient Response

## Typical Application



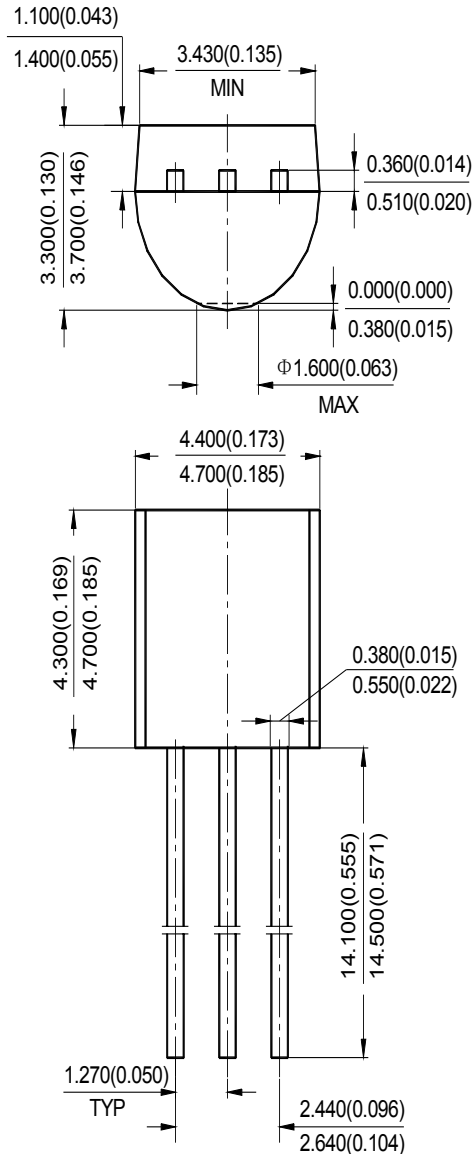
Note 4: Bypass capacitors are recommended for optimum stability and transient response and should be located as close as possible to the regulator.

Figure 11. Typical Application of the SP78LXX

Mechanical Dimensions

TO-92

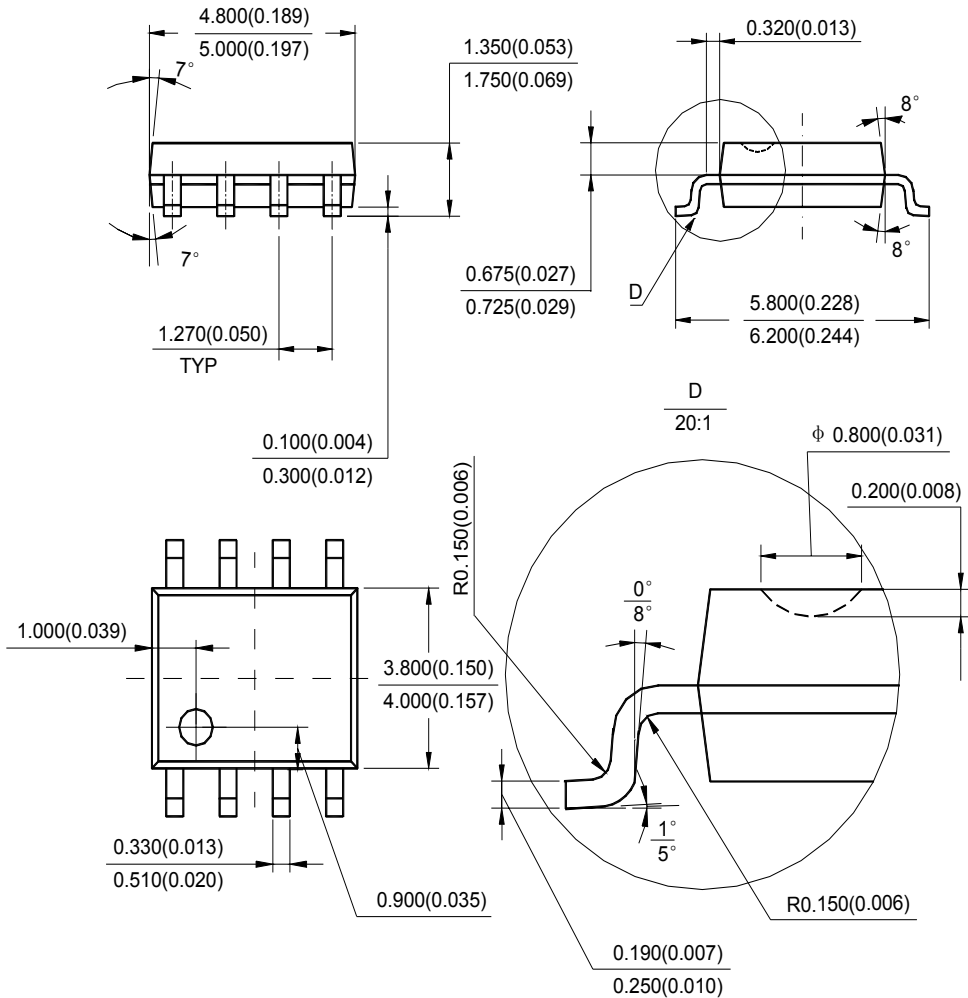
Unit: mm(inch)



Mechanical Dimensions (Continued)

NSOIC-8

Unit: mm(inch)

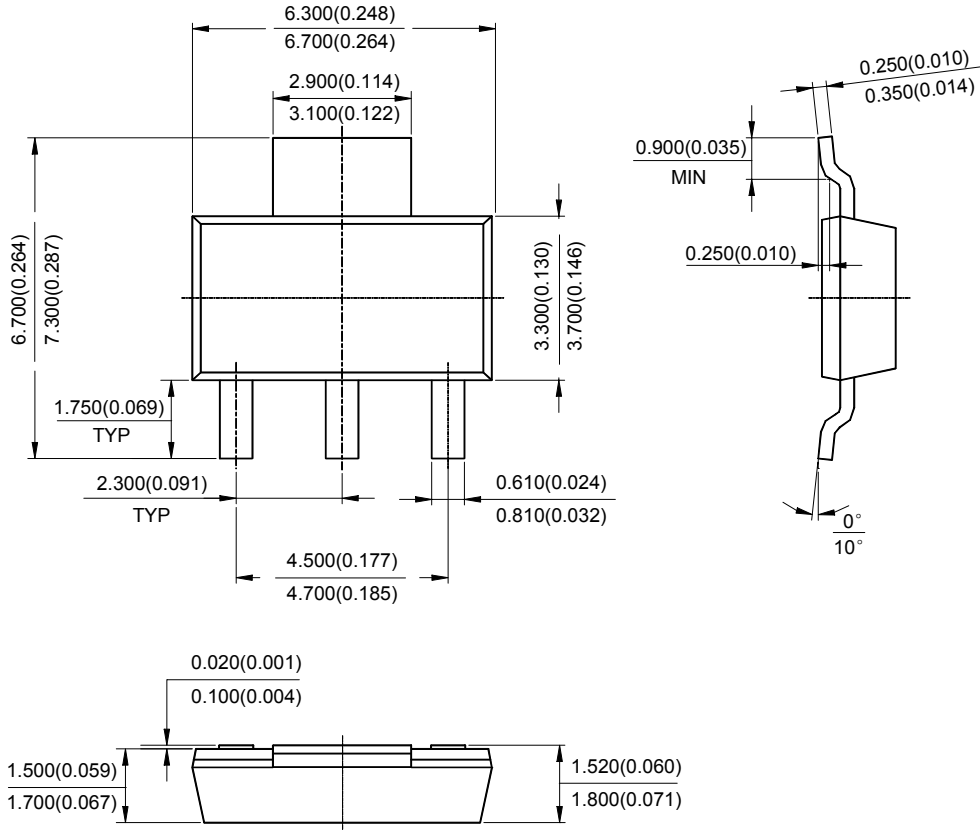




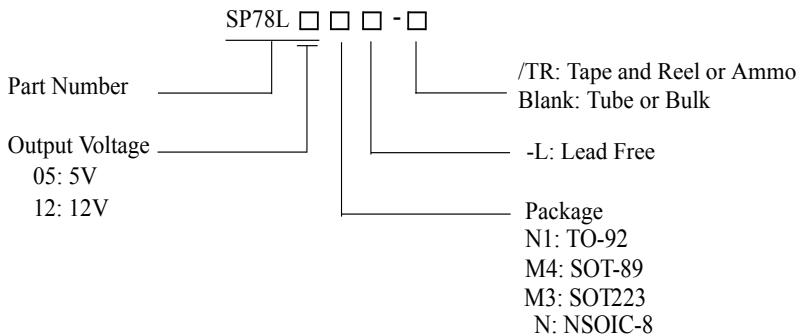
Mechanical Dimensions (Continued):

SOT-223

Unit: mm(inch)







Sipex Corporation's Pb-free products, as designated with "-L" suffix in the part number, are RoHS compliant.

Part Number	Temperature Range	Voltage Tolerance	Output Voltage	Package	Pin Count	Packing Type
SP78L05N1-L/TR	0°C to +125°C	±5%	5V	TO-92	3	2,000/AMMO
SP78L12N1-L/TR	0°C to +125°C	±5%	12V	TO-92	3	2,000/AMMO
SP78L05N-L	0°C to +125°C	±5%	5V	NSOIC 8	8	100/TUBE
SP78L05N-L/TR	0°C to +125°C	±5%	5V	NSOIC 8	8	2,500/TR
SP78L12N-L	0°C to +125°C	±5%	12V	NSOIC 8	8	100/TUBE
SP78L12N-L/TR	0°C to +125°C	±5%	12V	NSOIC 8	8	2,500/TR
SP78L05M3-L/TR	0°C to +125°C	±5%	5V	SOT-223	3	2,500/TR
SP78L12M3-L/TR	0°C to +125°C	±5%	12V	SOT-223	3	2,500/TR
SP78L05M4-L/TR	0°C to +125°C	±5%	5V	SOT-89	3	1,000/TR
SP78L12M4-L/TR	0°C to +125°C	±5%	12V	SOT-89	3	1,000/TR



**Sipex Corporation**  
**Headquarters and Sales Office**  
 233 South Hillview Drive  
 Milpitas, CA 95035  
 TEL: (408) 934-7500  
 FAX: (408) 935-7600

Sipex Corporation reserves the right to make changes to any products described herein. Sipex does not assume any liability arising out of the application or use of any product or circuit described herein; neither does it convey any license under its patent rights nor the rights of others.