

# DOUBLE BALANCED MIXER

## MODEL SMD6000

### ULTRA WIDE BANDWIDTH

### 1 - 6000 MHz

#### SPECIFICATIONS: (Rev. "B" 03/25/05)

##### Operating Frequency:

LO / RF: 1 - 6000 MHz

IF: DC - 700 MHz

##### Isolation (dB):

LO/RF (Typ/Min) 25/15

LO/IF 18/12

RF/IF 15/12

Conversion Loss (dB): (Typ/Max) 8.5 / 10.0

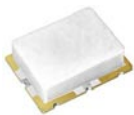
LO Power: +10 dBm (Nom)

Input IP3 (dBm): +15 (Typ)

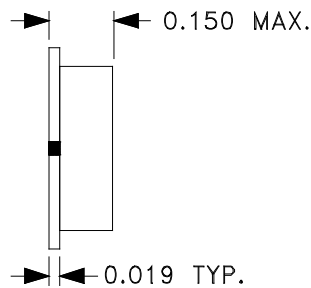
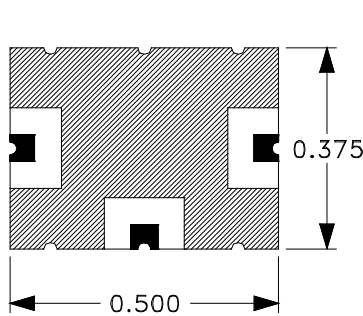
1 dB Compression Point: +3 dBm (Typ)

Impedance: 50 Ohms (Nom)

Operating Temperature Range: -40°C to +75°C

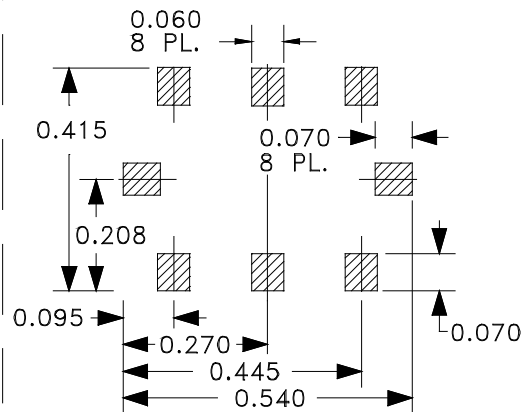
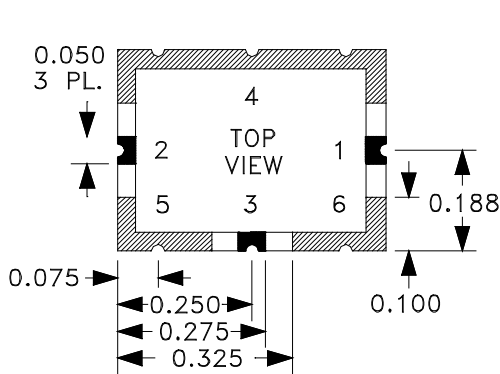


#### MECHANICAL OUTLINE: 133



PIN-OUT	
R.F.	1
L.O.	2
I.F.	3
Gnd.	4,5,6

#### LAYOUT FOR PRINTED CIRCUIT DESIGN.



# DOUBLE BALANCED MIXER MODEL SMD6000

## ULTRA WIDE BANDWIDTH

## 1 - 6000 MHz

### PERFORMANCE PLOTS

