

Coaxial

# Adapter, SMA-M to SMA-M

**NEW!**  
**SM-SM50**

50Ω DC to 18 GHz



CASE STYLE: DJ951

### Features

- flat response
- excellent VSWR, 1.10: typ. up to 12.4 GHz and 1.15:1 typ. up to 18 GHz
- low cost adapters, available from stock
- rugged stainless steel body, gold plated

### Applications

- interconnection of RF cables and equipment

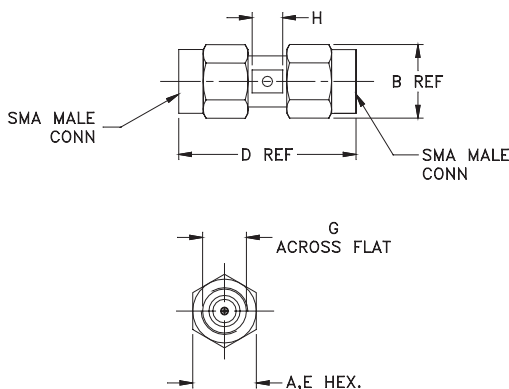
### Electrical Specifications $T_{AMB}=25^{\circ}C$

MODEL NO.	CONNECTOR TYPE		FREQUENCY (GHz) $f_L$ - $f_U$	VSWR (:1) Max.			PRICE \$ Qty. (1-49)
	CONN 1	CONN 2		DC-8 GHz	DC-12.4 GHz	DC-18 GHz	
SM-SM50	SMA-MALE	SMA-MALE	DC-18	1.12	1.30	1.40	5.95

### Maximum Ratings

Operating Temperature	-55°C to 100°C
Storage Temperature	-55°C to 100°C

### Outline Drawing



### Outline Dimensions (inch/mm)

A	B	D	E	G	H	wt.
.312	.36	.87	.312	.215	.15	grams
7.92	9.14	22.10	7.92	5.46	3.81	4.8



Distribution Centers NORTH AMERICA 800-654-7949 • 417-335-5935 • Fax 417-335-5945 • EUROPE 44-1252-832600 • Fax 44-1252-837010

INTERNET <http://www.minicircuits.com>

ISO 9001 CERTIFIED

REV. A  
M90500  
SM-SM50  
ED-10283  
YB/CP  
040109