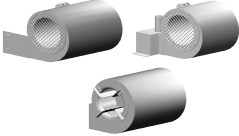
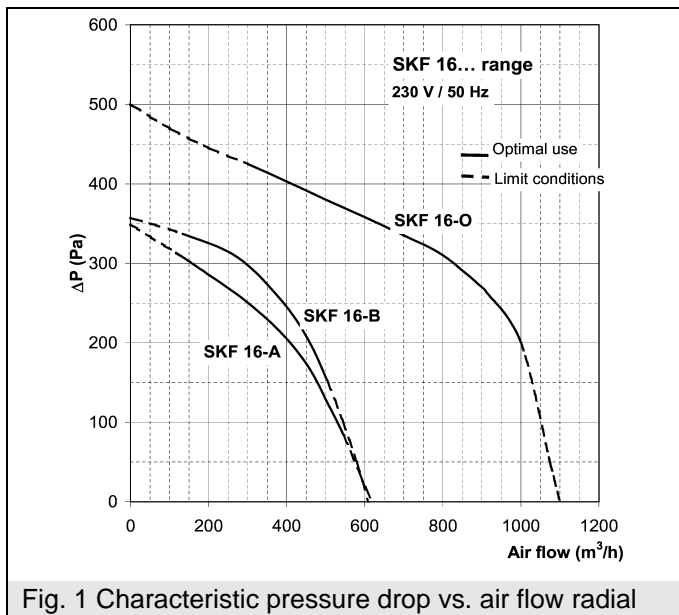


Radial Fans

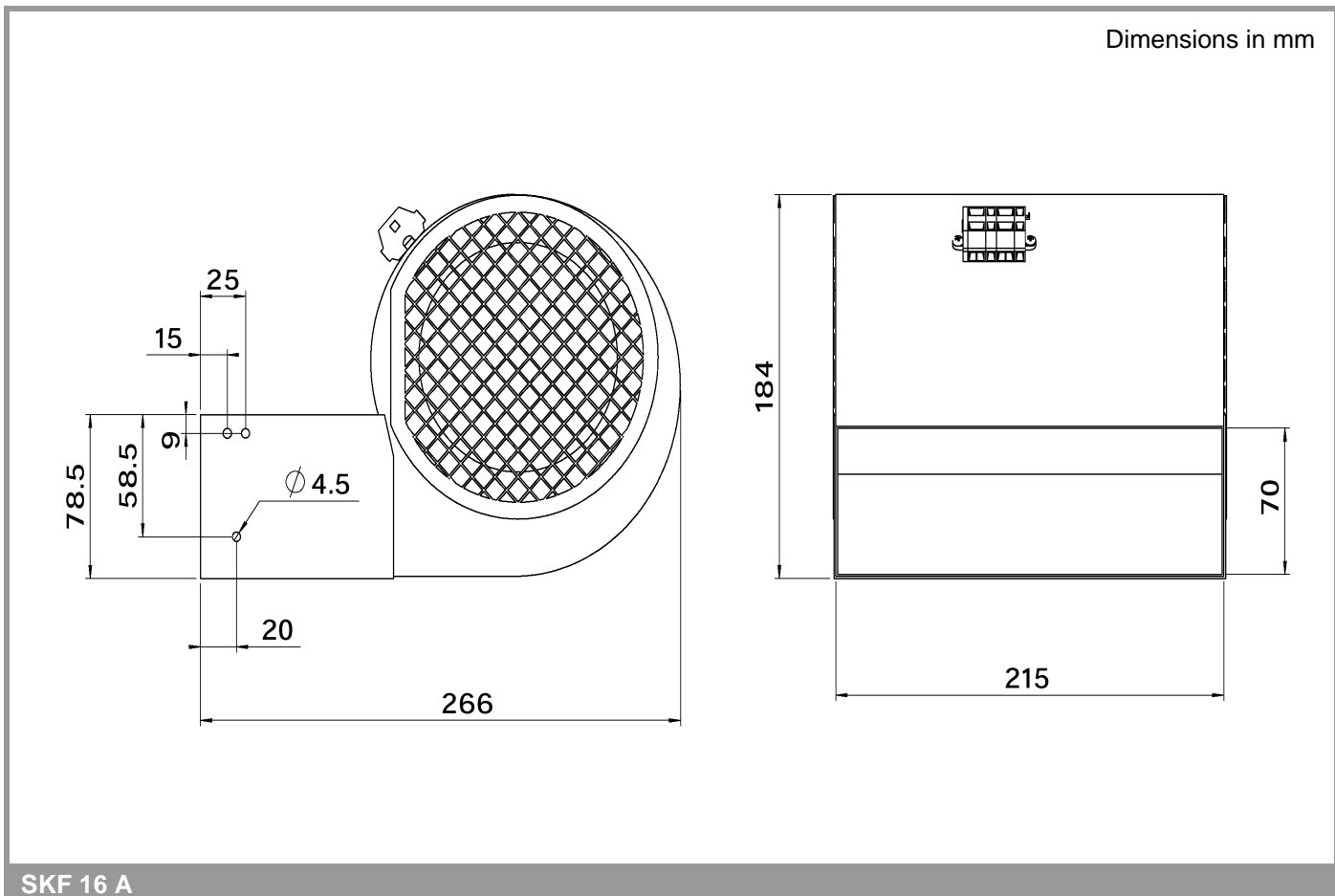
Types	Ident No.		f Hz	V ₁ V	Max volume m ³ /h	P W	T _{amb} max °C	Weight kg	Noise dB
SKF 16 A-230-01	VE001030 ¹⁾		50 / 60	230	615 / 575	135 / 154	50 / 40	3,6	55 / 57
SKF 16 A-230-11	30756640		50 / 60	230	615 / 575	135 / 154	50 / 40	3,6	55 / 57
SKF 16 B-230-01	30119362		50 / 60	230	610 / 565	170 / 197	40	3,6	58 / 57
SKF 16 O-230-01	30119366		50	230	1000	300	40	4,4	

¹⁾ without air duct

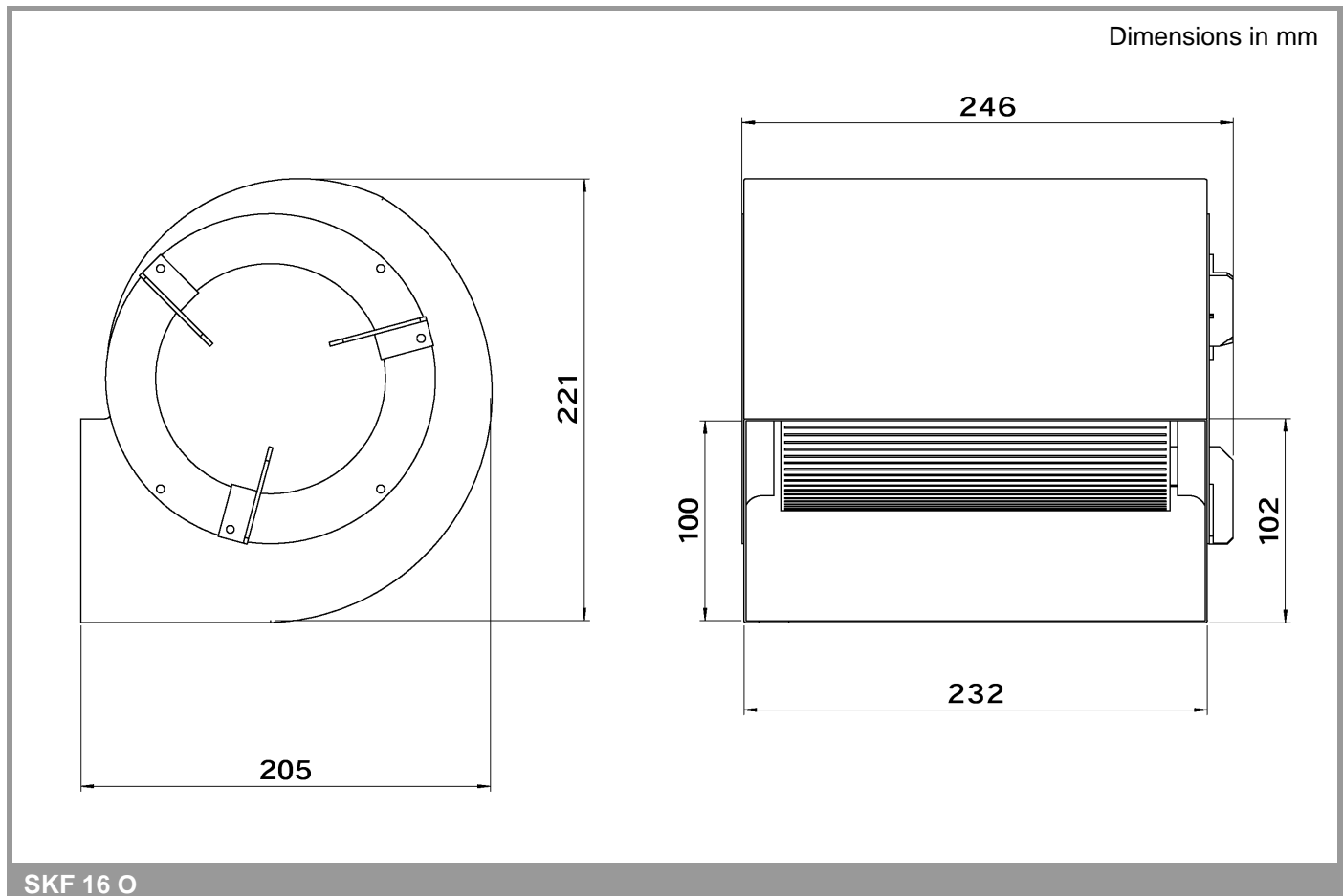
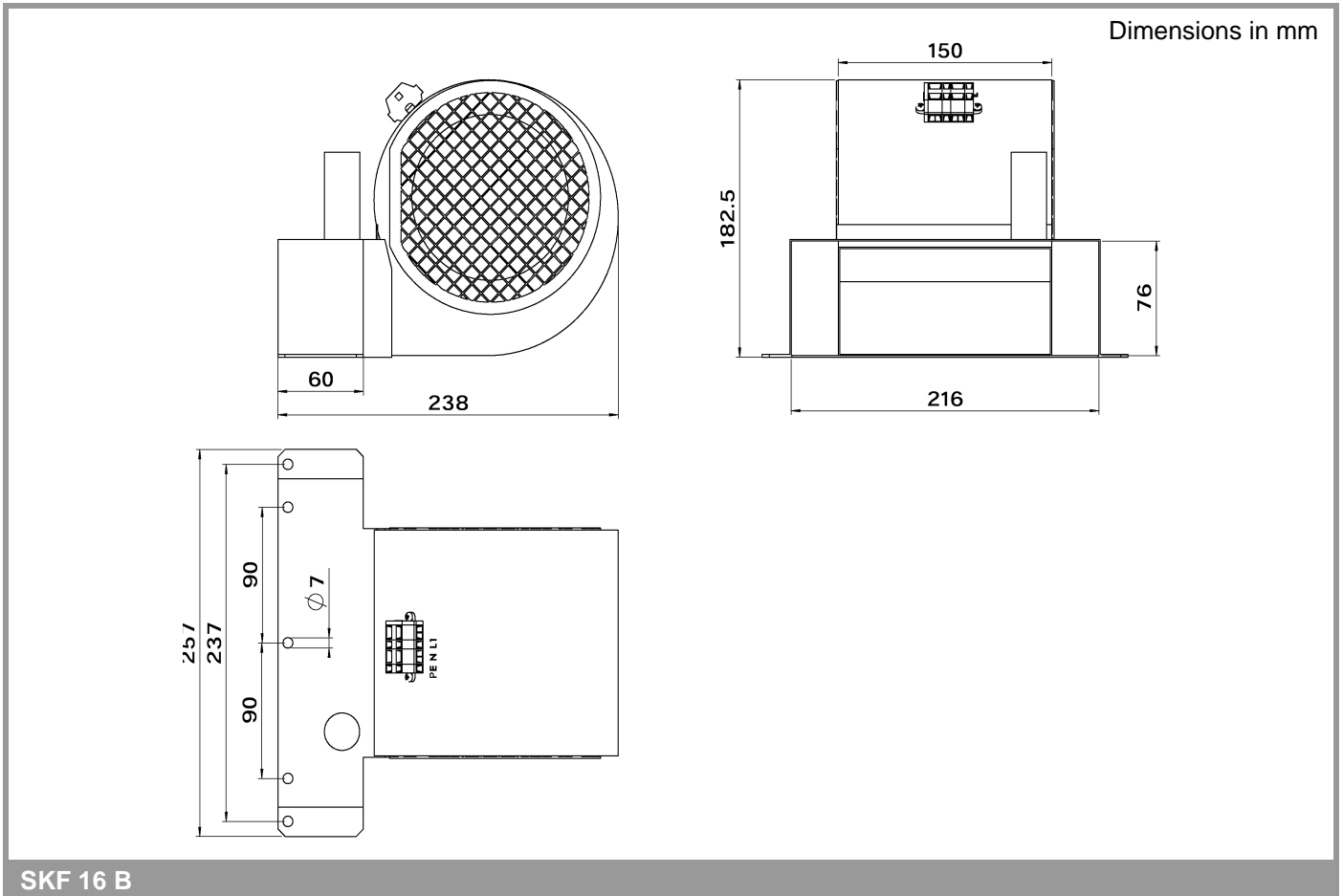


Features

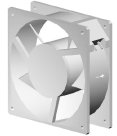
- Low noise level
- Long-life, maintenance free ball bearings
- Blowing fan
- Integrated capacitor (when needed)

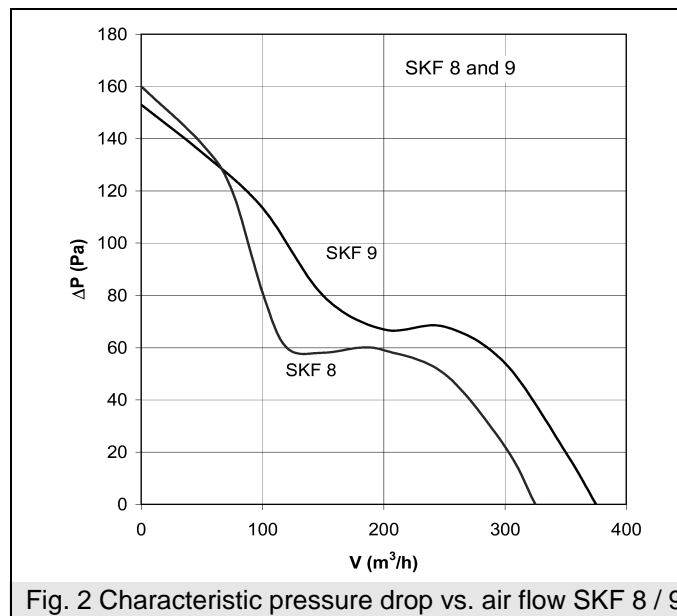
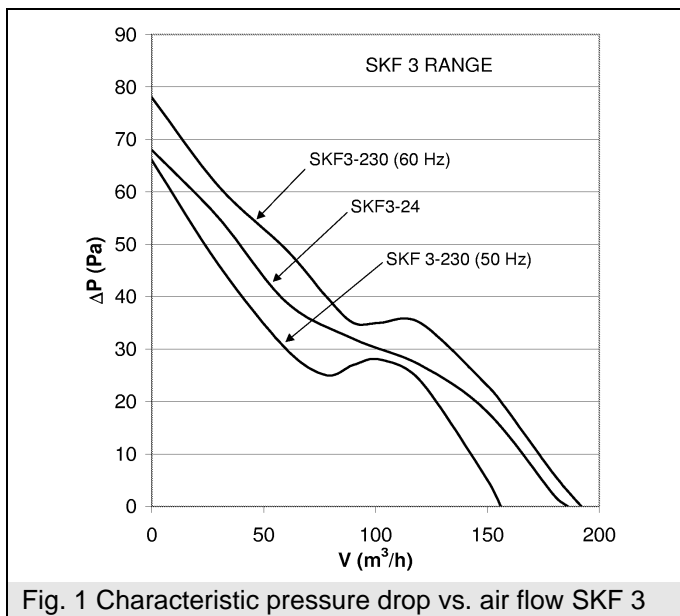


Radial Fans



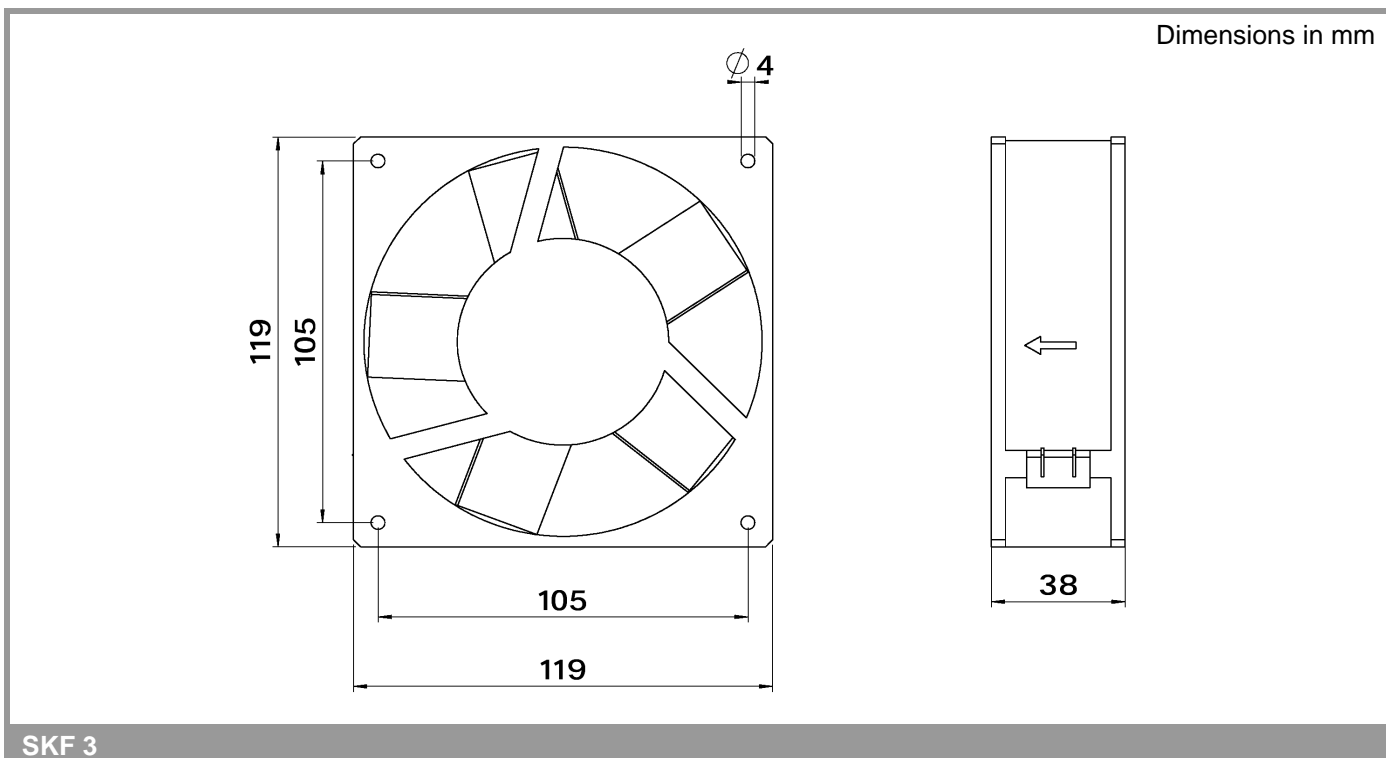
Axial Fans

Types	Ident No.		f Hz	V ₁ V	Max volume m ³ /h	P W	T _{amb} max °C	Weight kg	Noise dB
SKF 3-230-01	30031061		50 / 60	230	159 / 190	15 / 14	70	0,55	37 / 41
SKF 3-115-01	30031110		50 / 60	115	160 / 190	15,5 / 14,5	70	0,55	37 / 41
SKF 3-24c-01	VE001030		DC	24	185	7,5	70	0,26	43
SKF 8-230-01	30145431		50	230	325	45	50	1,1	48
SKF 9-230-01	30142395		50	230	375	24	70	1	54



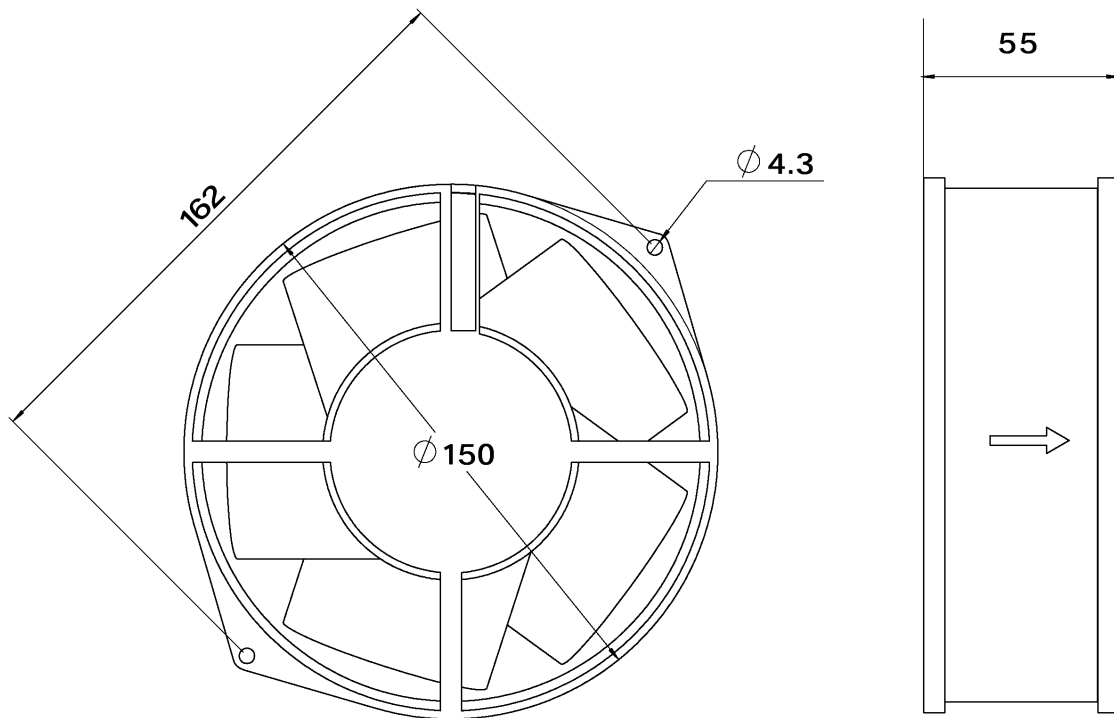
Features

- Can be used in both directions (extraction or blowing)
- Thermal contact protection (SKF 8 and SKF 9)
- Metal Casing



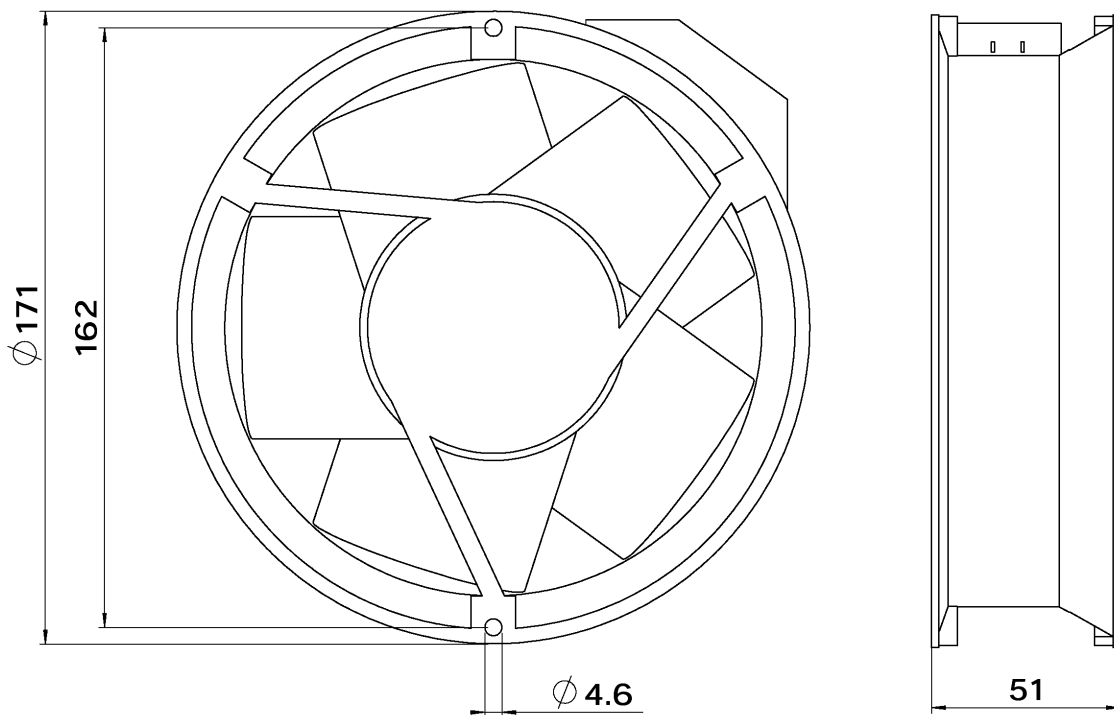
Axial Fans

Dimensions in mm



SKF 8

Dimensions in mm



SKF 9

Centrifugal Fans

Types	Ident No.		f	V ₁	Max	P	T _{amb}	Weight	Noise
	rotor version only	with housing							
SKF 17 A-230-01	VE001900		50 / 60	230	850 / 930	110 / 120	70	2	74
SKF 17 A-230-11		30752817	50 / 60	230	850 / 930	110 / 120	70	2	74
SKF 17 A-115-01	VE001902	30752819 ¹⁾	50 / 60	115	820 / 920	300	75	2	
SKF 17 B-230-01	30138251		50 / 60	230	1080 / 1200	230	70	2,8	73 / 75
SKF 17 B-230-11		30146830	50 / 60	230	1080 / 1200	230	70	2,8	73 / 75
SKF N4-230-01	VE001951		50 / 60	230	1500 / 1700	210 / 280	80 / 70	3,1	76 / 78

¹⁾ UL approved fan

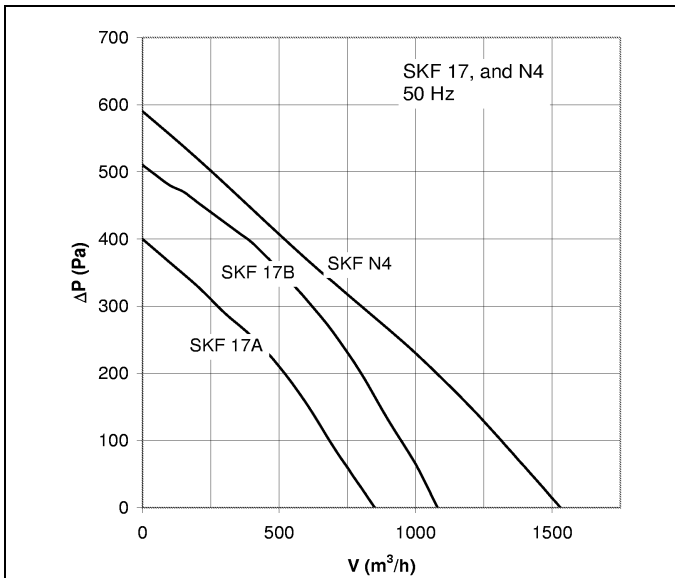
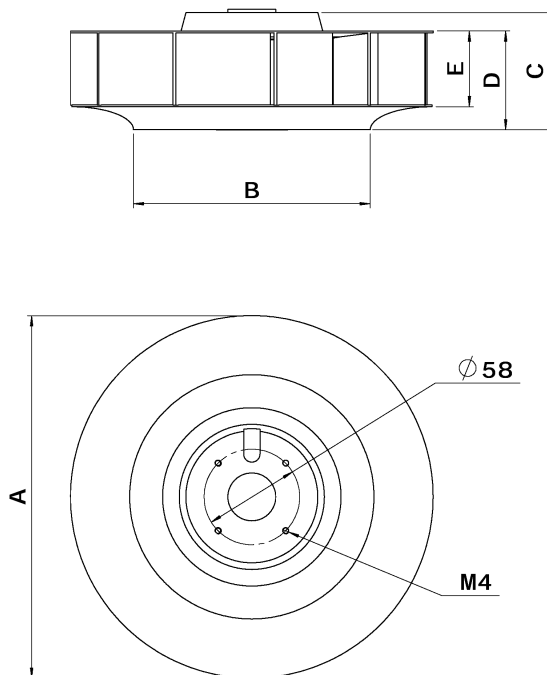


Fig. 1 Characteristic pressure drop vs. air flow centrifugal

Features

- Integrated thermo contact
- Long-life, maintenance free ball bearings
- available in complete housings
- Extraction fan
- Integrated capacitor

Dimensions in mm

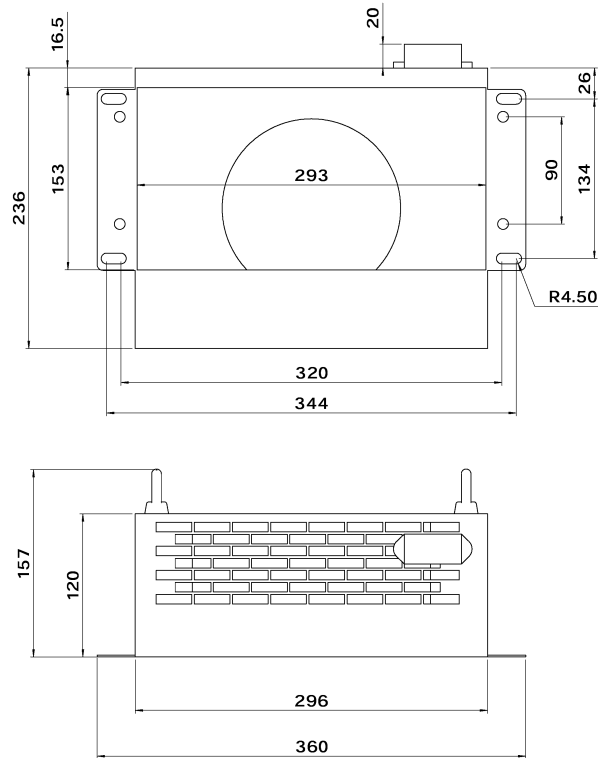


	Radius		Height		
	External (A)	Internal (B)	Total (C)	Rotor (D)	Fin (E)
SKF 17 A	220	159	71	63	45
SKF 17 B	227	153	99	88	64
SKF N4	252	172	99	84	57

Rotor version only

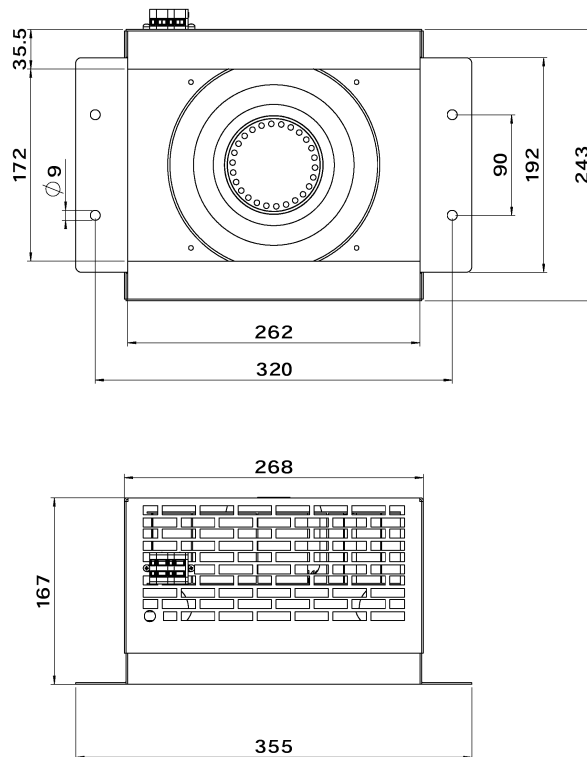
Centrifugal Fans

Dimensions in mm




SKF 17 A

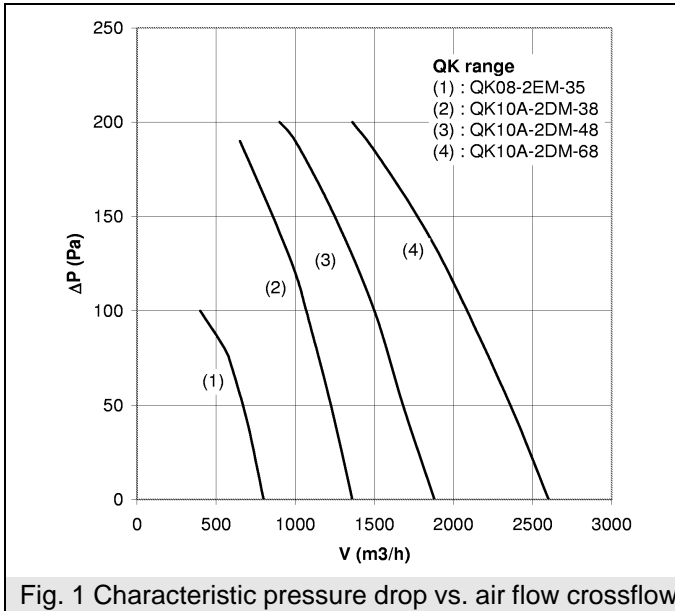
Dimensions in mm



SKF 17 B

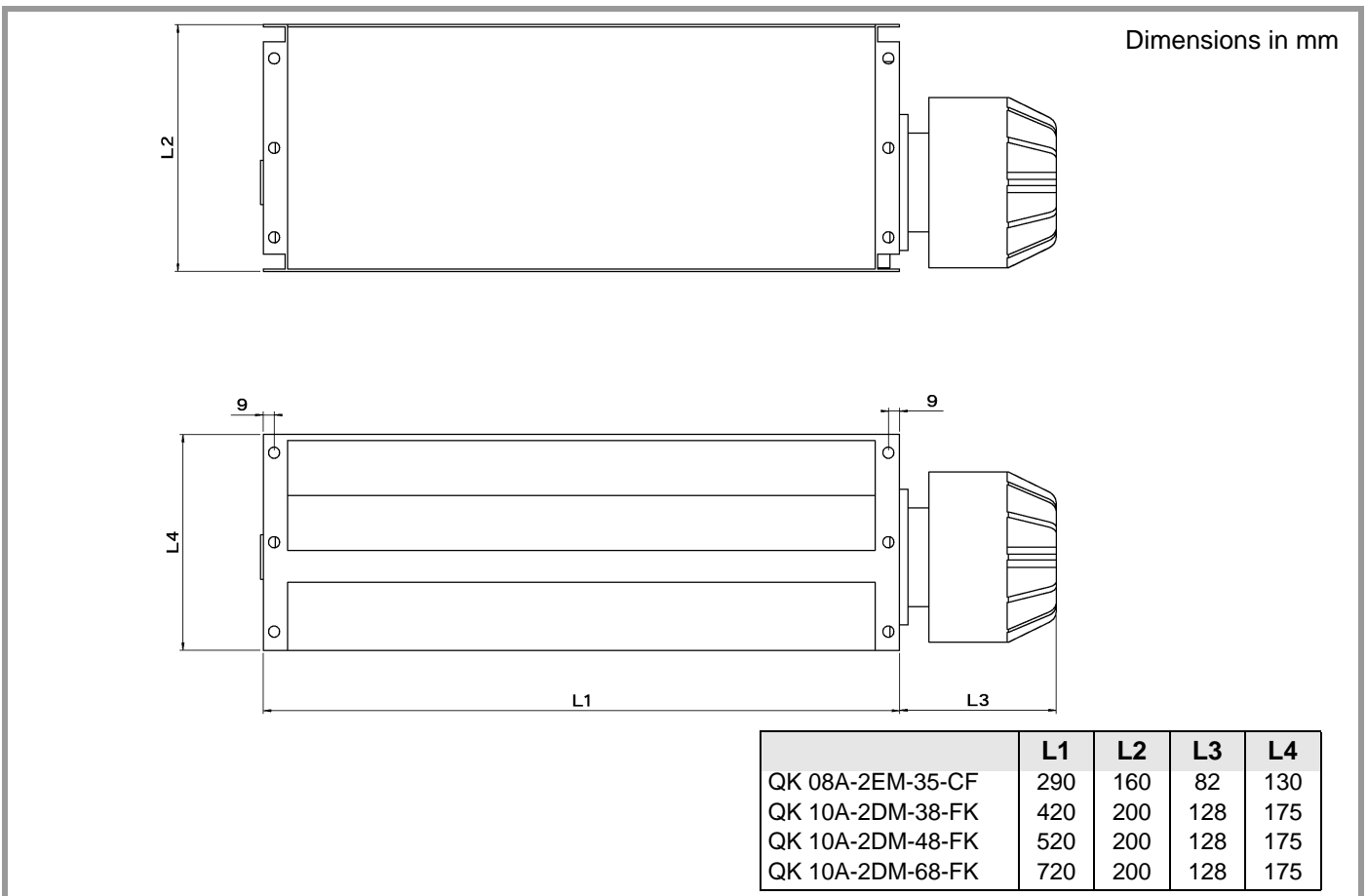
Crossflow Fans

Types	Ident No.		f Hz	V ₁ V	Max volume m ³ /h	P W	T _{amb} max °C	Weight kg	Noise dB
QK 08A-2EM-35-CF	VE001500		50 / 60	230	800 / 815	180 / 220	40	4	71 / 72
QK 10A-2DM-38-FK	VE001600		50	3x230	1360	450 / 610	40	7,5	81,7
QK 10A-2DM-48-FK	VE001700		50 / 60	3x230	1880 / 2065	670 / 860	40	10	83 / 87
QK 10A-2DM-68-FK	VE001800		50 / 60	3x230	2600 / 2510	870 / 980	40	10	83 / 84



Features

- For very high air flow
- Very large air section
- Uniform and homogeneous air flow
- External rotor allows for high circulating air temperature (70 °C)
- Extraction fan
- Integrated capacitor (when needed)



QK 08A, QK 10A