

ELECTRICAL SPECIFICATIONS:

- |     |  |  |
|-----|--|--|
| 1.0 | URNS RATIO: (P5-P6-P4) : (J6-J3)                 | : 1CT : 1CT ±2%                            |
|     | (P3-P1-P2) : (J2-J1)                             | : 1CT : 1CT ±2%                            |
| 2.0 | INDUCTANCE: (P3-P2) ; (P5-P4)                    | : 350 uH MIN. @ 0.1V, 100KHz, 8 mA DC BIAS |
| 3.0 | LEAKAGE INDUCTANCE: P3-P2 (WITH J1 AND J2 SHORT) | : 0.3uH MAX. @ 1MHz                        |
|     | P5-P4 (WITH J6 AND J3 SHORT)                     | : 0.3uH MAX. @ 1MHz                        |
| 4.0 | INTERWINDING CAPACITANCE: (P3-P2) : (J1-J2)      | : 30pf MAX @ 1MHz                          |
|     | (P5-P4) : (J6-J3)                                | : 30pf MAX @ 1MHz                          |
| 5.0 | DC RESISTANCE: (J6-J3) ; (J2-J1)                 | : 1.2 ohms Max.                            |

Bel Stewart Connector  
 11118 Susquehanna Trail, South  
 Glen Rock, Pa 17327-9199  
 717.234.7512

**MagJack®**

<http://www.stewartconnector.com>

THIS DRAWING AND THE SUBJECT MATTER SHOWN THEREON ARE CONFIDENTIAL AND PROPERTY OF BEL STEWART CONNECTOR AND SHALL NOT BE REPRODUCED, COPIED, OR USED IN ANY MANNER WITHOUT PRIOR WRITTEN CONTENT OF BEL STEWART CONNECTOR. THE SUBJECT MATTER MAY BE PATENTED OR A PATENT MAY BE PENDING.

SHEET  
1 OF 4

DRAWING NO.

SI-53006

REV.  
10

6.0 RETURN LOSS: 1MHz TO 30MHz : -18dB MIN.  
60MHz TO 80MHz : -12dB MIN.

7.0 DIELECTRIC WITHSTAND: (J1,J2) TO (P10,P12) ; (J5,J4) TO (P3-P2) : 1500 VAC  
(J3,J6) TO (P5,P4) ; (J8,J7) TO (P9, P8) : 1500 VAC

8.0 INSERTION LOSS: RS=RL=100 ohms : -1.1 dB TYP  
100KHz TO 125MHz

9.0 RISE TIME: RS=100 OHMS AND RL = 100 OHMS : 3.0 nS MAX  
OUTPUT VOLTAGE = 1 V peak : 3.0 nS MAX  
PULSE WIDTH= 112nS

10.0 CROSS TALK: 1-100 MHz : -35dB TYP

11.0 COMMON TO COMMON MODE ATTENUATION: 1MHz TO 100MHz : -35dB TYP

Bel Stewart Connector  
11118 Susquehanna Trail, South  
Glen Rock, Pa 17327-9199  
717.234.7512

**MagJack**<sup>®</sup>

<http://www.stewartconnector.com>

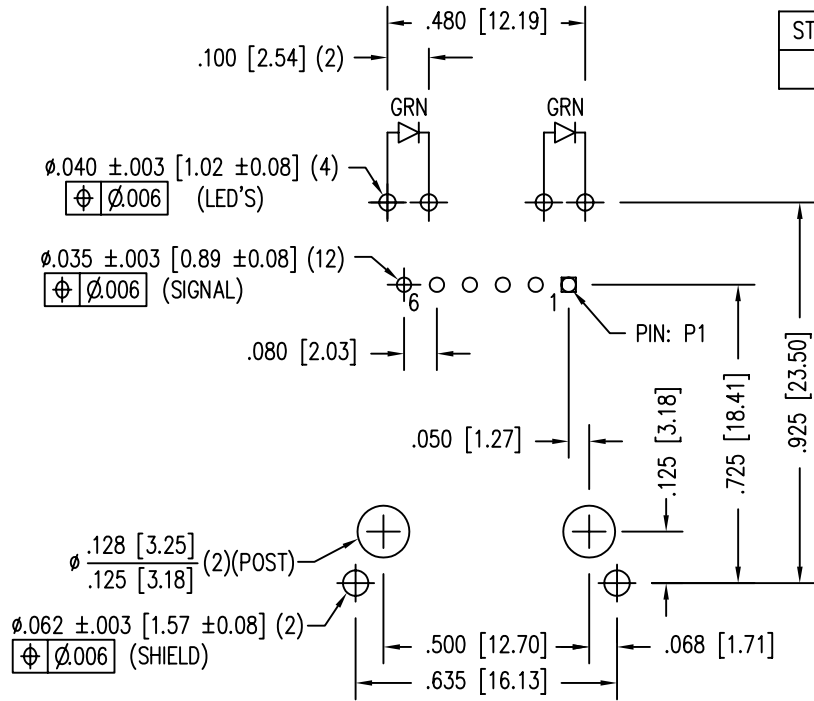
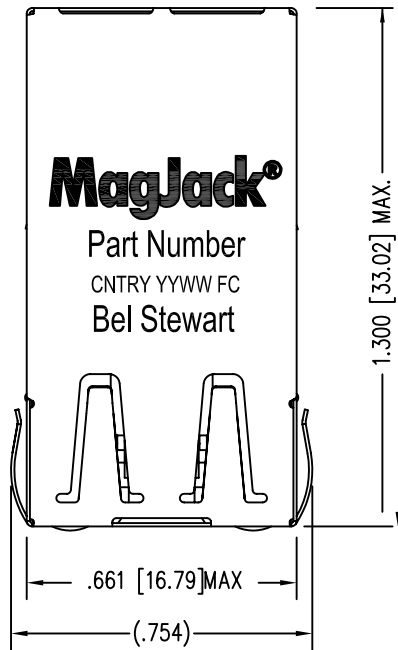
THIS DRAWING AND THE SUBJECT MATTER SHOWN THEREON ARE CONFIDENTIAL AND PROPERTY OF BEL STEWART CONNECTOR AND SHALL NOT BE REPRODUCED, COPIED, OR USED IN ANY MANNER WITHOUT PRIOR WRITTEN CONTENT OF BEL STEWART CONNECTOR. THE SUBJECT MATTER MAY BE PATENTED OR A PATENT MAY BE PENDING.

SHEET  
2 OF 4

DRAWING NO.

SI-53006

REV. 08



| STANDARD LED | WAVELENGTH | FORWARD V (MAX) | * (TYP) |
|--------------|------------|-----------------|---------|
| GREEN        | 565 nm     | 2.5 V           | 2.2 V   |

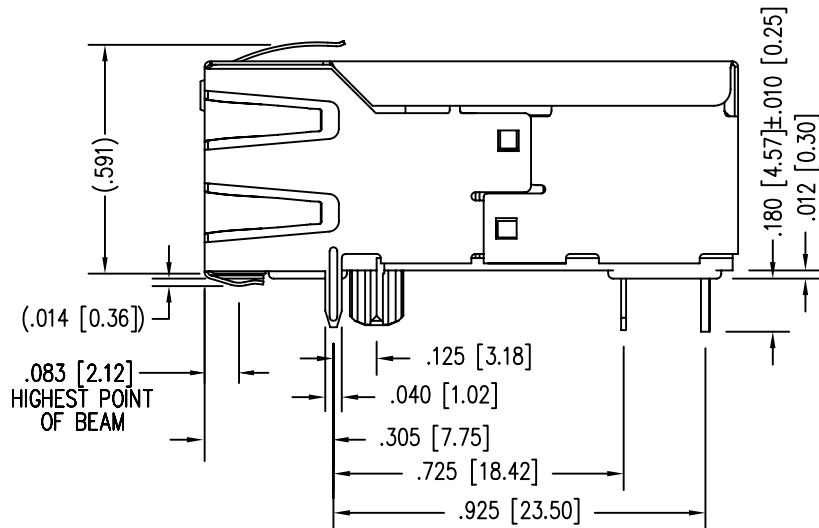
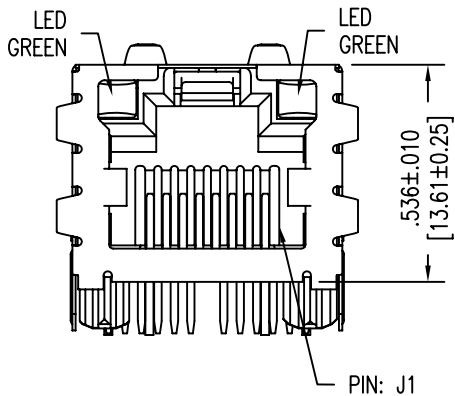
\* WITH A FORWARD CURRENT OF 20 mA (TYP)

NOTES:

- CONNECTOR MATERIALS:  
HOUSING: THERMOPLASTIC UL94 V-0  
CONTACT/SHIELD: COPPER ALLOY  
SHIELD PLATING: NICKEL OR TIN  
CONTACT PLATING: SELECTIVE GOLD,  
50 MICRO-INCHES MIN. IN CONTACT AREA.
- PIN NOT ELECTRICALLY CONNECTED MAYBE OMITTED.  
SEE ELECTRICAL DRAWING FOR OMITTED PINS.
- TOLERANCES COMPLY WITH F.C.C. DIMENSION REQUIREMENTS.
- ALL TOLERANCES NOT OTHERWISE SPECIFIED TO BE ±.005 [0.13]
- WAVE SOLDER COMPATIBLE - PREHEAT 125°C/90SECS.  
HIGH TEMPERATURE REFLOW COMPATIBLE - 230°C/90 SEC MAX.
- INSERT FORCE: 8.5 LBS MAX.

P.C.B. RECOMMENDED HOLE LAYOUT  
SEEN FROM COMPONENT SIDE

ALL CENTERLINE DIMENSIONS ARE BASIC.



Bel Stewart Connector

11118 Susquehanna Trail, South  
Glen Rock, Pa 17327-9199  
717.234.7512

**MagJack®**

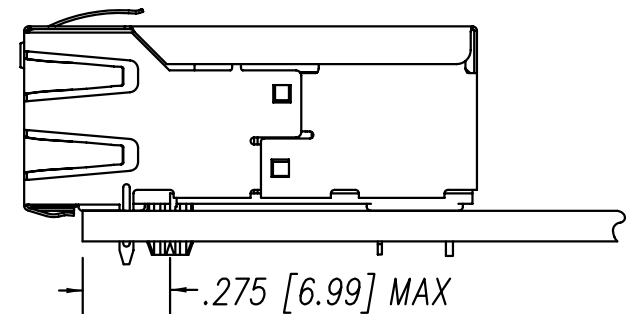
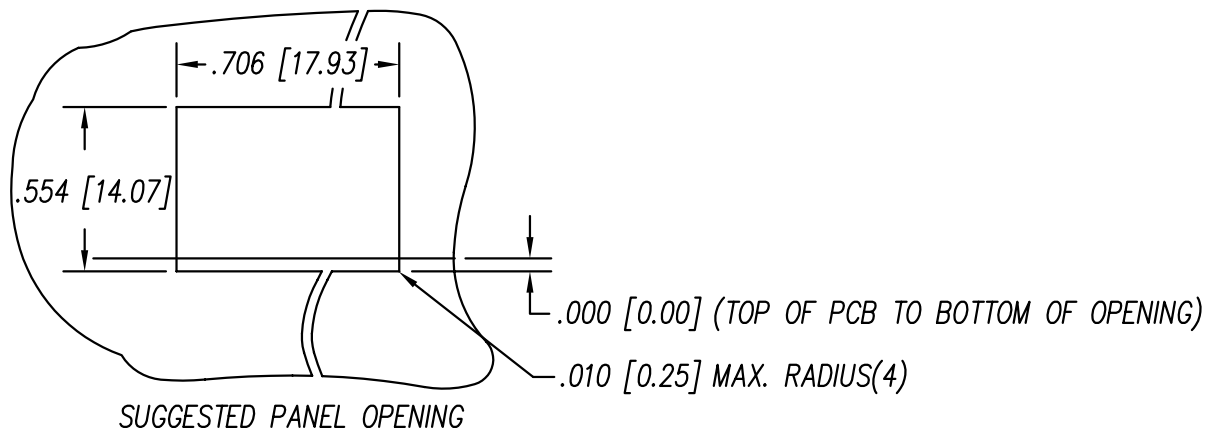
<http://www.stewartconnector.com>

THIS DRAWING AND THE SUBJECT MATTER SHOWN THEREON ARE CONFIDENTIAL AND PROPERTY OF BEL STEWART CONNECTOR AND SHALL NOT BE REPRODUCED, COPIED, OR USED IN ANY MANNER WITHOUT PRIOR WRITTEN CONTENT OF BEL STEWART CONNECTOR. THE SUBJECT MATTER MAY BE PATENTED OR A PATENT MAY BE PENDING.

SHEET 3 OF 4

DRAWING NO. SI-53006

REV. 04



1. THE SUGGESTED PANEL OPENING IS INTENDED TO GIVE THE USER THE ABILITY TO HAVE REASONABLE JACK / PANEL CLEARANCES YET MAINTAIN RELIABLE GROUNDING CAPABILITY.
2. ALL TOLERANCES NOT OTHERWISE SPECIFIED TO BE  $\pm 0.005$  [0.13]

Bel Stewart Connector  
 11118 Susquehanna Trail, South  
 Glen Rock, Pa 17327-9199  
 717.234.7512

**MagJack**  
<http://www.stewartconnector.com>

THIS DRAWING AND THE SUBJECT MATTER SHOWN THEREON ARE CONFIDENTIAL AND PROPERTY OF BEL STEWART CONNECTOR AND SHALL NOT BE REPRODUCED, COPIED, OR USED IN ANY MANNER WITHOUT PRIOR WRITTEN CONTENT OF BEL STEWART CONNECTOR. THE SUBJECT MATTER MAY BE PATENTED OR A PATENT MAY BE PENDING.

SHEET  
4 OF 4

DRAWING NO.

SI-53006

REV.  
03