

#### NOTES

1.0 PINS WITHOUT ELECTRICAL CONNECTION ARE OMITTED.

#### ELECTRICAL SPECIFICATIONS:

- |                               |                              |                             |
|-------------------------------|------------------------------|-----------------------------|
| 1.0 TURNS RATIO:              | (P6-P5-P3) : (J6-J3)         | : 1CT : 1CT ± 3%            |
|                               | (P2-P4-P1) : (J2-J1)         | : 1CT : 1.41CT ± 3%         |
| 2.0 INDUCTANCE:               | (P6-P3)                      | : 200uH MIN. @ 0.01V, 10KHz |
|                               | (P2-P1)                      | : 100uH MIN. @ 0.01V, 10KHz |
| 3.0 LEAKAGE INDUCTANCE:       | P6-P3 (WITH J6 AND J3 SHORT) | : 0.3 MAX. @ 1MHz           |
|                               | P2-P1 (WITH J2 AND J1 SHORT) | : 0.3 MAX. @ 1MHz           |
| 4.0 INTERWINDING CAPACITANCE: | (P6,P5,P3) TO (J6,J3)        | : 20pf MAX @ 1MHz           |
|                               | (P2,P4,P1) TO (J2,J1)        | : 20pf MAX. @ 1MHz          |
| 5.0 DC RESISTANCE:            | (J6-J3)=(J2-J1)              | : 1.2 ohms Max.             |
| 6.0 DIELECTRIC WITHSTAND:     | (P6,P3) TO (J6,J3)           | : 1500 VAC                  |
|                               | (P2,P1) TO (J2,J1)           | : 1500 VAC                  |

Bel Stewart Connector  
11118 Susquehanna Trail, South  
Glen Rock, Pa 17327-9199  
717.234.7512

**MagJack**

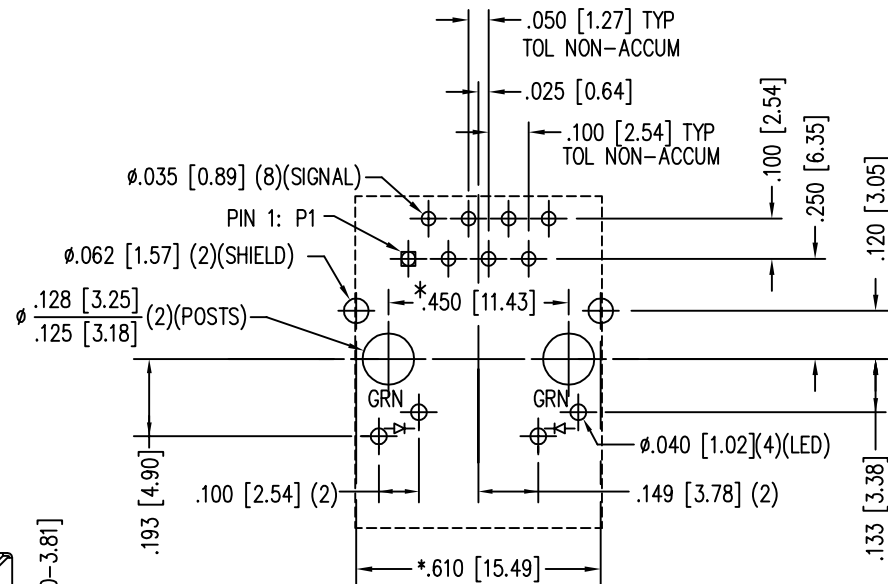
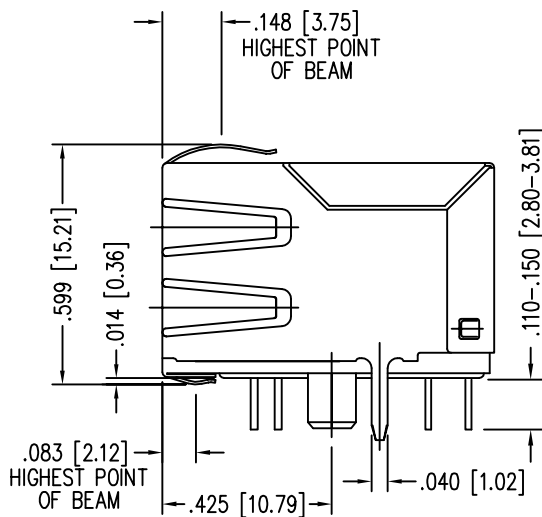
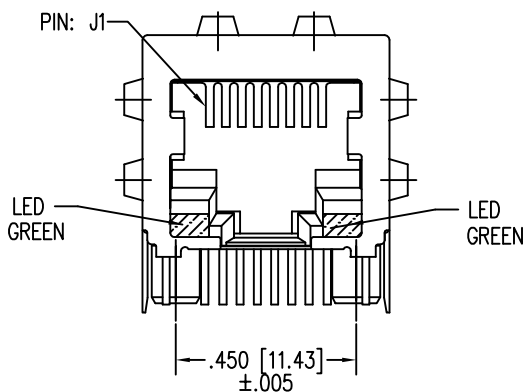
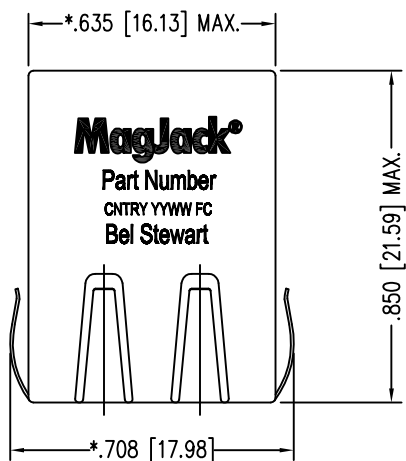
<http://www.stewartconnector.com>

THIS DRAWING AND THE SUBJECT MATTER SHOWN THEREON ARE CONFIDENTIAL AND PROPERTY OF BEL STEWART CONNECTOR AND SHALL NOT BE REPRODUCED, COPIED, OR USED IN ANY MANNER WITHOUT PRIOR WRITTEN CONTENT OF BEL STEWART CONNECTOR. THE SUBJECT MATTER MAY BE PATENTED OR A PATENT MAY BE PENDING.

SHEET  
1 OF 3

DRAWING NO.

SI-43002 REV. 01



P.C.B. RECOMMENDED HOLE LAYOUT  
SEEN FROM COMPONENT SIDE  
TOLERANCE ±.003 [0.08] UNLESS OTHERWISE SPECIFIED

**NOTES:**

- TOLERANCES COMPLY WITH F.C.C. DIMENSION REQUIREMENTS
- DIMENSIONS SHOWN WITH "\*" TO BE CENTRAL ABOUT CENTER LINE
- DIMENSIONS SHOWN ARE SUBJECT TO CHANGE WITHOUT NOTICE.
- PIN NOT ELECTRICALLY CONNECTED MAYBE OMITTED. SEE ELECTRICAL DRAWING FOR OMITTED PINS.
- STANDARD 50 MICRO-INCH SELECTIVE GOLD PLATING.
- HIGH TEMPERATURE REFLOW COMPATIBLE - 230°C/90 SEC MAX.

**LED SPECIFICATIONS**

- COLOR: **GREEN**
- FORWARD VOLTAGE(20mA) : 2.5v (MAX)
- FORWARD VOLTAGE(20mA) : 2.2v (TYP)
- POWER DISSIPATION : 105mW
- WAVE LENGTH: 565nm
- LUMINOUS INTENSITY (10mA) : 8-32 MCD

Bel Stewart Connector  
11118 Susquehanna Trail, South  
Glen Rock, Pa 17327-9199  
717.234.7512

**MagJack**

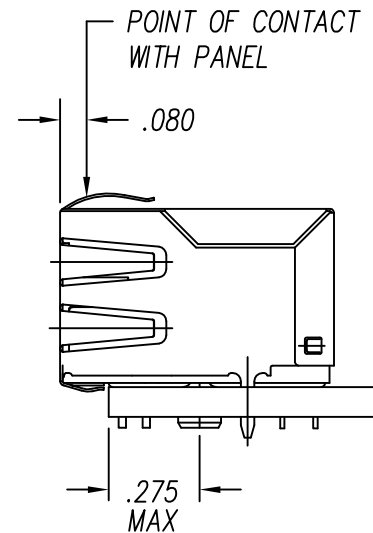
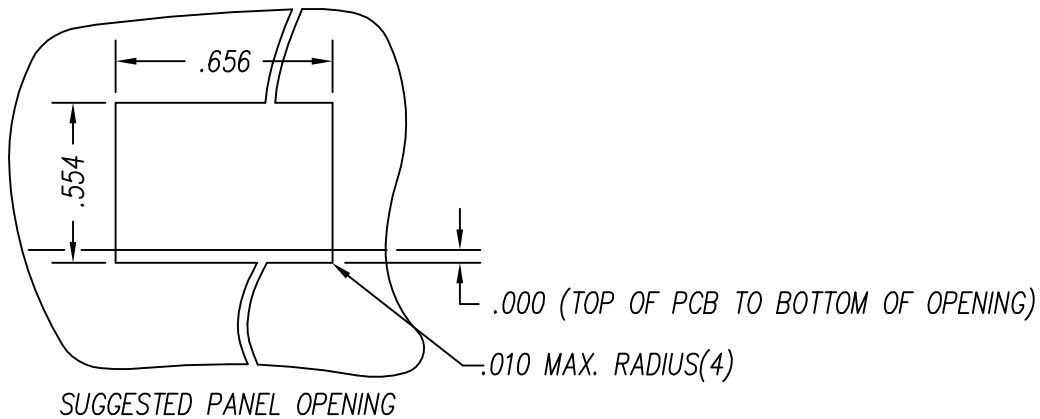
<http://www.stewartconnector.com>

THIS DRAWING AND THE SUBJECT MATTER SHOWN THEREON ARE CONFIDENTIAL AND PROPERTY OF BEL STEWART CONNECTOR AND SHALL NOT BE REPRODUCED, COPIED, OR USED IN ANY MANNER WITHOUT PRIOR WRITTEN CONTENT OF BEL STEWART CONNECTOR. THE SUBJECT MATTER MAY BE PATENTED OR A PATENT MAY BE PENDING.

SHEET  
2 OF 3

DRAWING NO.

SI-43002 REV. 01



THE SUGGESTED PANEL OPENING IS INTENDED TO GIVE THE USER THE ABILITY TO HAVE REASONABLE JACK / PANEL CLEARANCES YET MAINTAIN RELIABLE GROUNDING CAPABILITY.

Bel Stewart Connector  
 11118 Susquehanna Trail, South  
 Glen Rock, Pa 17327-9199  
 717.234.7512

**MagJack**

<http://www.stewartconnector.com>

THIS DRAWING AND THE SUBJECT MATTER SHOWN THEREON ARE CONFIDENTIAL AND PROPERTY OF BEL STEWART CONNECTOR AND SHALL NOT BE REPRODUCED, COPIED, OR USED IN ANY MANNER WITHOUT PRIOR WRITTEN CONTENT OF BEL STEWART CONNECTOR. THE SUBJECT MATTER MAY BE PATENTED OR A PATENT MAY BE PENDING.

SHEET  
3 OF 3

DRAWING NO.

SI-43002 REV. 01