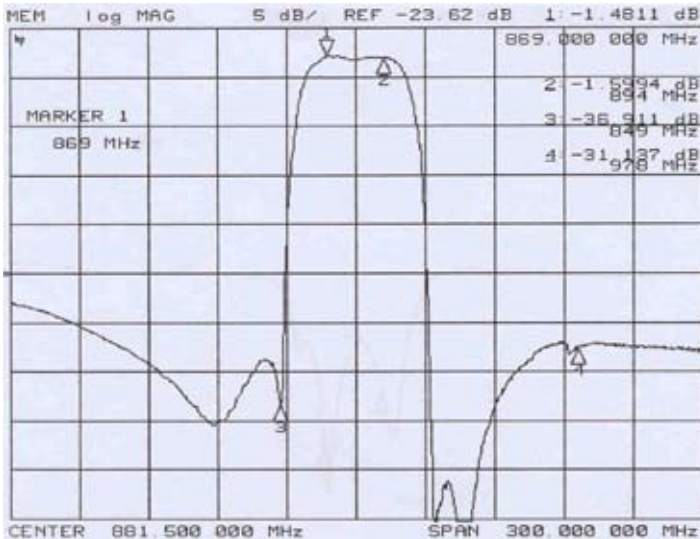
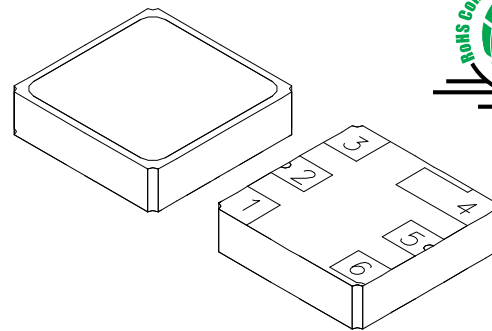


Model SF1011

Frequency Response



Terminal Connection



2, 5 : INPUT, OUTPUT
1, 3, 4, 6 : GROUND

Maximum Ratings

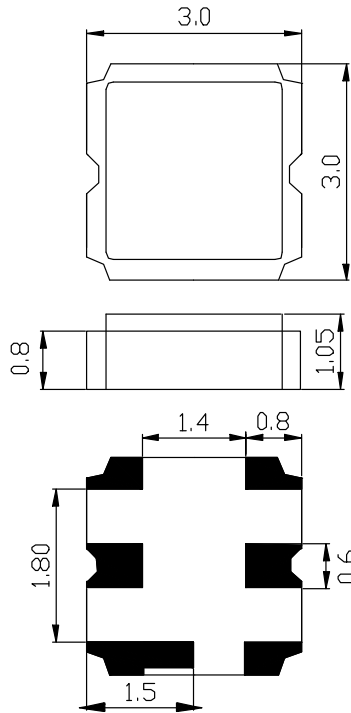
Item	Unit	Condition	Rating
Maximum DC Voltage	V	-	10
Maximum Input Power	dBm	-	10
Operating Temperature Range	℃	-	-10~+50
Storage Temperature Range	℃	-	-30~+80

Electrical Specifications

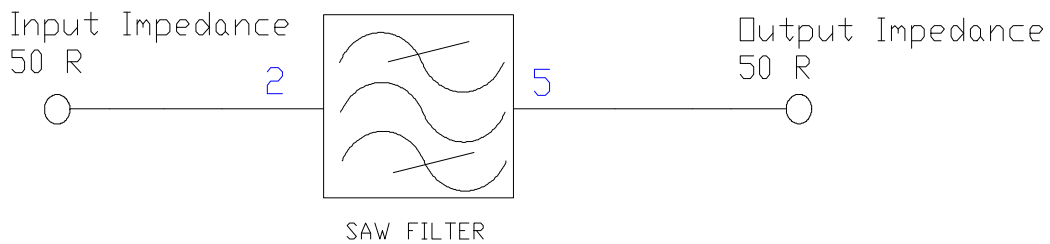
Item	Unit	Condition	Min	Typ	Max
Center Frequency	MHz	Fo	881.5		
Passband Width	MHz	-	Fo +/-12.5		
Insertion Loss	dB	Passband	-	2.5	3
Passband Ripple Deviation	dB	Passband	-	0.8	1.5
Stop Band Rejection	dB	DC ~ 800.0MHz	20	-	-
		824.0 ~ 849.0MHz	35	-	-
		978.0 ~ 1006.0MHz	25	-	-
		1088.0 ~ 1119.0MHz	30	-	-
VSWR	-	824.0 ~ 849.0MHz	-	-	2.5
Terminating Impedance	Ω	-	50		

Model SF1011

■ Package Dimension



■ Matching Configuration



Source / Load Impedance = 50Ω

Ambient Temperature = 25°C