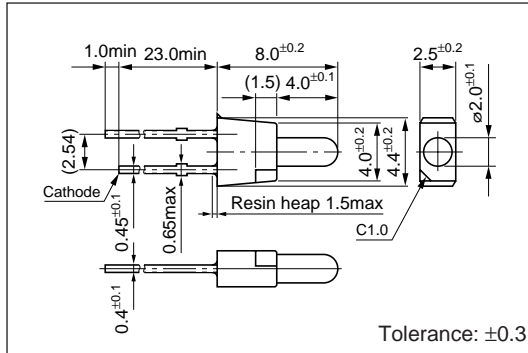


2 ϕ Round Special-shaped LED

SEL4017 Series

External Dimensions

(Unit: mm)



Absolute maximum ratings (Ta=25°C)

Symbol	Unit	Rating	Condition
I_F	mA	30	
ΔI_F	mA/°C	-0.45	Above 25°C
I_{FP}	mA	100	f=1kHz, tw \leq 100 μ s
V_R	V	3	
Top	°C	-30 to +85	
Tstg	°C	-30 to +100	

Electrical Optical characteristics (Ta=25°C)

Emitting color	Part Number	Lens color	Forward voltage		Reverse current		Intensity		Peak wavelength		Spectrum half width		Chip material	
			V_F		I_R	Condition	I_v	Condition	λ_P	Condition	$\Delta\lambda$	Condition		
			typ	max										(V)
Deep red	SEL4117R	Diffused red	2.0	2.5	10	50	3	1.1	10	700	10	100	10	GaP
Amber	SEL4817D	Diffused orange	1.9	2.5	10	50	3	7.5	10	610	10	35	10	GaAsP
Orange	SEL4917D	Diffused orange	1.9	2.5	10	50	3	7.5	10	587	10	33	10	
Yellow	SEL4717Y	Diffused yellow	2.0	2.5	10	50	3	14	20	570	10	30	10	GaP
Green	SEL4417G	Diffused green	2.0	2.5	10	50	3	16	20	560	10	20	10	