

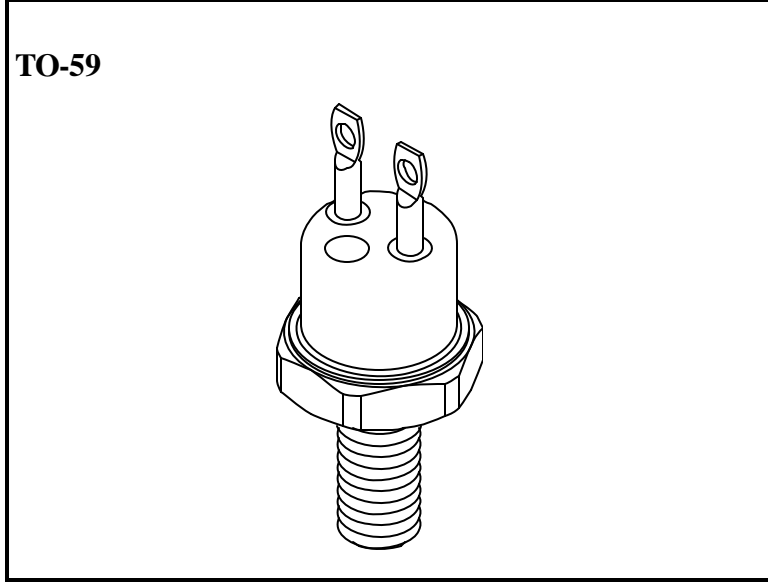


Solid State Devices, Inc.

14701 Firestone Blvd * La Mirada, CA 90638
 Phone: (562) 404-7855 * Fax: (562) 404-1773
 ssdi@ssdi-power.com * www.ssdi-power.com

**SDR623/59
 Thru
 SDR626/59**

DESIGNER'S DATA SHEET ^{1/}



**20A 35nsec 300-600 V
 Hyper Fast Rectifier**

- Features:**
- **Hyper Fast Recovery: 35nsec Maximum ^{3/}**
 - **High Surge Rating**
 - **Low Reverse Leakage Current**
 - **Low Junction Capacitance**
 - **Hermetically Sealed Package**
 - **Gold Eutectic Die Attach**
 - **Ultrasonic Aluminum Wire Bonds**
 - **TX, TXV, and S-Level Screening Available ^{2/}**

Maximum Ratings	Symbol	Value	Units
Peak Repetitive Reverse Voltage SDR623/59 SDR624/59 SDR625/59 SDR626/59	V_{RRM} V_{RWM} V_R	300 400 500 600	Volts
Average Rectified Forward Current (Resistive Load, 60 Hz Sine Wave, $T_A = 25^\circ C$)	I_O	20	Amps
Peak Surge Current (8.3 ms Pulse, Half Sine Wave, $T_A = 25^\circ C$)	I_{FSM}	200	Amps
Operating & Storage Temperature	T_{OP} & T_{STG}	-65 to +200	$^\circ C$
Maximum Total Thermal Resistance Junction to Case	$R_{\theta JC}$	1.5	$^\circ C/W$

Notes:

1/ For ordering information, Price, Operating Curves, and Availability- Contact Factory.
 2/ Screened to MIL-PRF-19500.
 3/ Recovery Conditions: $I_F = 0.5$ Amp, $I_R = 1.0$ Amp, rec. to .25 Amp.



Solid State Devices, Inc.

14701 Firestone Blvd * La Mirada, CA 90638
 Phone: (562) 404-7855 * Fax: (562) 404-1773
 ssdi@ssdi-power.com * www.ssdi-power.com

**SDR623/59
 Thru
 SDR626/59**

Electrical Characteristics		Symbol	Max	Units
Instantaneous Forward Voltage Drop ($I_F = 10\text{A}_{dc}$, Pulse) ($I_F = 20\text{A}_{dc}$, Pulse)	$T_A = 25^\circ\text{C}$	V_{F1}	1.45	V_{DC}
	$T_A = 25^\circ\text{C}$	V_{F2}	1.65	
Instantaneous Forward Voltage Drop ($I_F = 10\text{A}_{dc}$, Pulse)	$T_A = 100^\circ\text{C}$	V_{F3}	1.35	V_{DC}
	$T_A = -55^\circ\text{C}$	V_{F4}	1.55	
Reverse Leakage Current (100% of rated V_R , Pulse)	$T_A = 25^\circ\text{C}$	I_{R1}	50	mA
	$T_A = 100^\circ\text{C}$	I_{R2}	5	mA
Reverse Recovery Time ($I_F = 0.5\text{A}$, $I_R = 1\text{A}$, $I_{RR} = 0.25\text{A}$, $T_A = 25^\circ\text{C}$)		t_{RR}	35	nsec
Junction Capacitance ($V_R = 10V_{DC}$, $T_A = 25^\circ\text{C}$, $f = 1\text{MHz}$)		C_J	150	pF

PIN ASSIGNMENT			
PACKAGE	Pin 1	Pin 2	Pin 3
TO-59	Anode	---	Cathode

