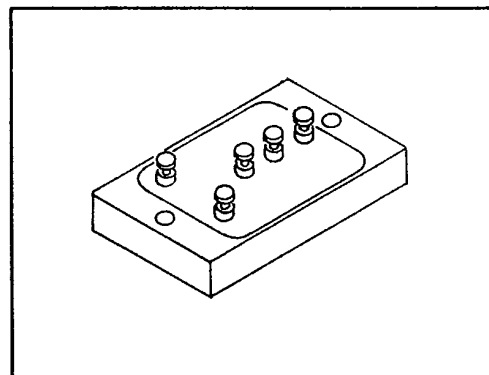


SDA38HF

T-23-07

10 AMP RECTIFIER ASSEMBLY

- Average Output Current 10 Amps
- Reverse Recovery Time *40ns Max
- PIV 100 to 600 Volts
- Aluminum Case
- Glass Passivated Diode Cells
- Case Electrically Insulated
- Efficient Thermal Design



SSDI introduces a new and complete series of three phase, Hyper Fast, Bridge Rectifier Assemblies. These units are designed in cast aluminum cases to provide maximum thermal conductivity and simple installation.

Replaces Semtech SC3BH05F to SC3BH6F and Unitrode 696-1 to 696-6 when faster switching times are required.

Consult your factory representative for engineering assistance.

Type	PIV per leg	Sine Wave RMS input Voltage Max.	Average DC Output Amps TC = (case temp.)		Reverse Recovery Time * T _{rr}	Average DC Output Amps TA = Ambient Temp (No heat Sink)		Peak 1 Cycle Forward Surge	Peak Recurrent Forward	VF Max per leg @ ADC 3	Reverse Current (I _R Max. per leg. @ PIV)	
			50°C	100°C		25°C	55°C				25°C	100°C
			AMPS	AMPS		AMPS	AMPS				UA	UA
SDA38AHF	100	70	10	7	40	3	2.2	75	18	1.35	10	1000
SDA38BHF	200	140	10	7	40	3	2.2	75	18	1.35	10	1000
SDA38CHF	300	210	10	7	40	3	2.2	75	18	1.35	10	1000
SDA38DHF	400	280	10	7	40	3	2.2	75	18	1.35	10	1000
SDA38EHF	500	350	10	7	40	3	2.2	75	18	1.35	10	1000
SDA38FHF	600	420	10	7	40	3	2.2	75	18	1.35	10	1000

Higher Voltages Are Available. Contact Factory.

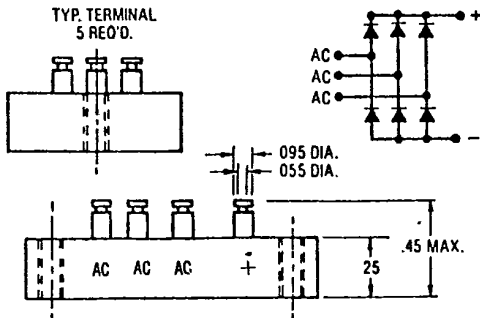
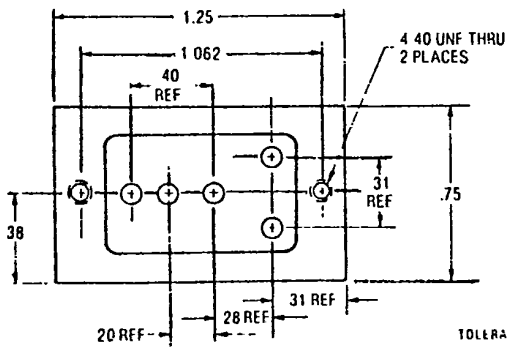
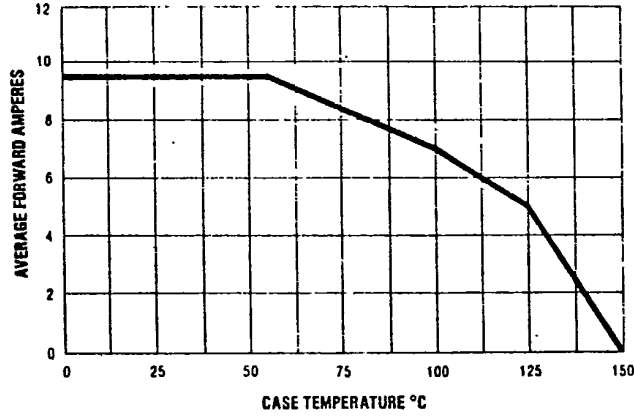
NOTE: Specifications Subject to Change Without Notice.

*Recovery Time Conditions; I_F = .5A, I_R = 1A, I_{rr} = .25A

7/86

SSDI SOLID STATE DEVICES, INC.

TEMPERATURE DERATING CURVE



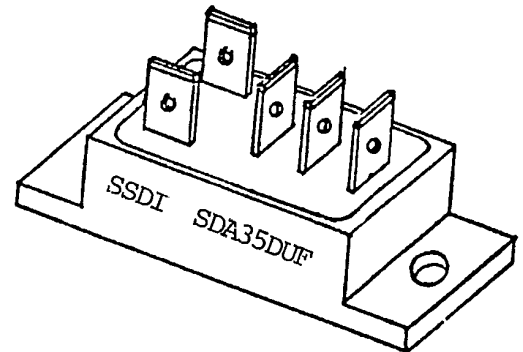
TOLERANCE XX + 03
.XXX + 010

SDA35UF

T-23-07

14AMP RECTIFIER ASSEMBLY

- Average Output 14 Amps
- PIV 100 to 600 Volts
- Reverse Recovery Time* 70ns Max
- Maximum Thermal Resistance 2.5°C/Watt
- Universal Three-Way Terminals
- Aluminum Case
- Glass Passivated Diode Cells
- Case Electrically Insulated
- Hermetically Sealed Diode Cells



SSDI introduces a new and complete line of Three-Phase, Ultra Fast, Bridge Rectifier Assemblies, designed in aluminum cases to provide maximum thermal conductivity and simple installation. A unique 3-way terminal provides the designer a choice of using Faston terminal, wire wrap or soldering hole. This series features SSDI's exclusive glass passivated rectifier cells for high reliability and mechanical strength. Hyper Fast and Standard Recovery bridges are also available. Consult your factory representative for engineering assistance.

Type	PIV per leg	Sine Wave RMS input Voltage Max.	Average DC Output Amps TC = (case temp.)		Reverse Recovery Time * T _{rr}	Average DC Output Amps TA = Ambient Temp (No heat Sink)		Peak 1 Cycle Forward Surge	Peak Recurrent Forward	VF Max per leg @ ADC 3	Reverse Current (I _R Max. per leg. @ PIV)	
			50°C	100°C		25°C	55°C				25°C	100°C
			AMPS	AMPS		AMPS	AMPS				UA	UA
SDA35AUF	100	70	14	10	70	5	4	150	60	1.35	20	500
SDA35BUF	200	140	14	10	70	5	4	150	60	1.35	20	500
SDA35CUF	300	210	14	10	70	5	4	150	60	1.35	20	500
SDA35DUF	400	280	14	10	70	5	4	150	60	1.35	20	500
SDA35EUF	500	350	14	10	70	5	4	150	60	1.35	20	500
SDA35FUF	600	420	14	10	70	5	4	150	60	1.35	20	500

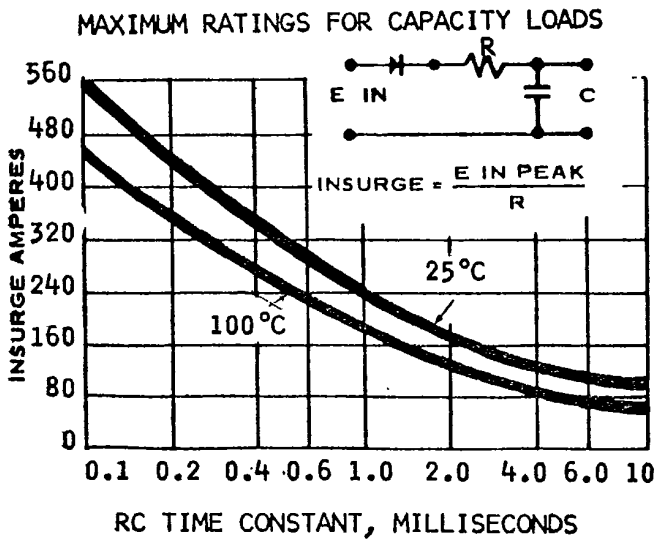
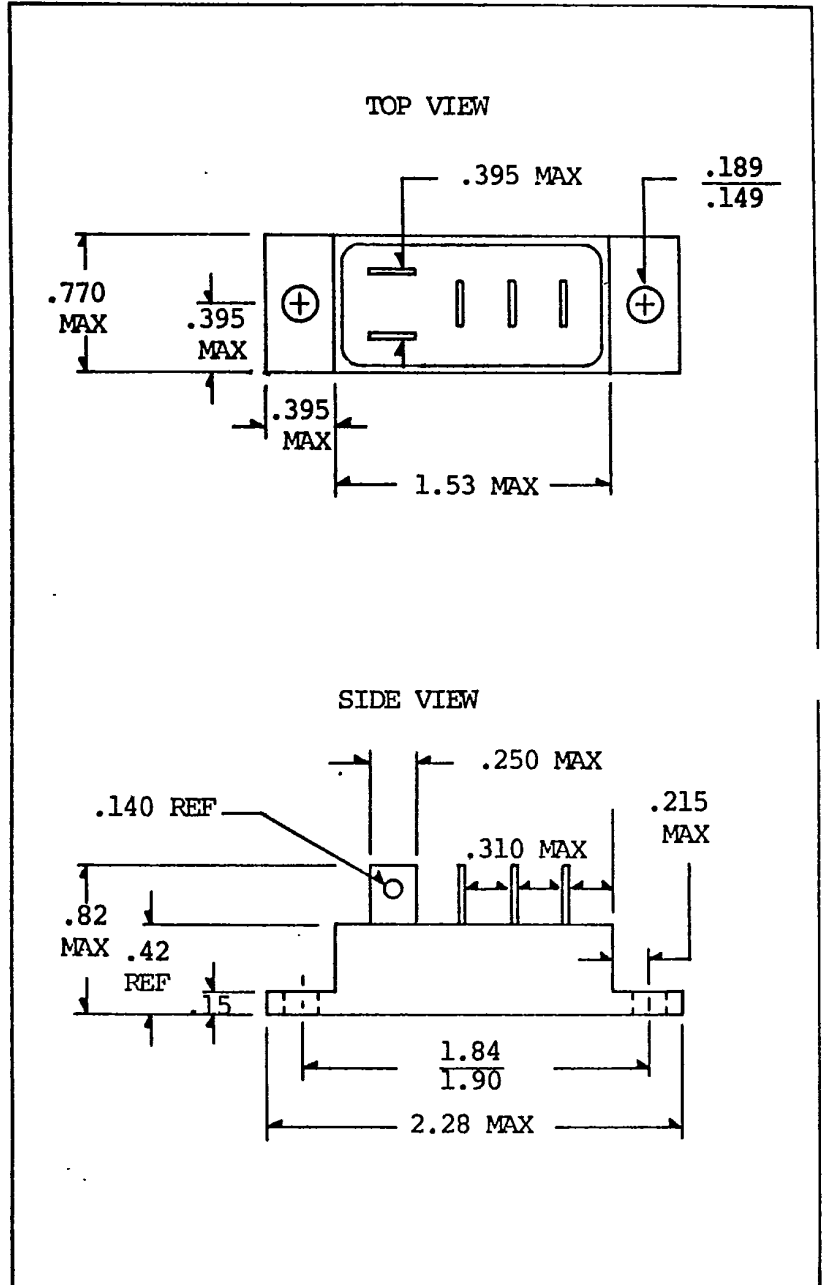
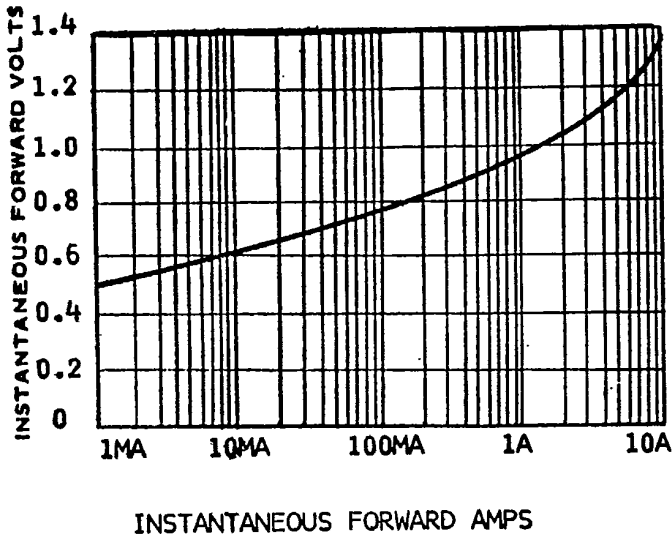
Higher Voltages Are Available. Contact Factory.
7/86

NOTE: Specifications Subject to Change Without Notice.
*Recovery Time Conditions; I_F = .5A, I_R = 1A, I_{rr} = .25A

SSDI SOLID STATE DEVICES, INC.



TYPICAL DYNAMIC FORWARD CHARACTERISTICS

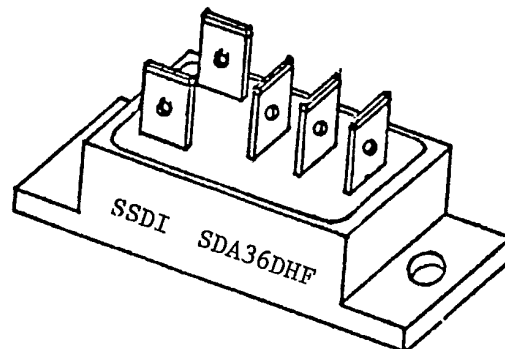


SDA36HF

T-23-07

14AMP RECTIFIER ASSEMBLY

- Average Output 14 Amps
- PIV 100 to 600 Volts
- Reverse Recovery Time*40ns Max
- Maximum Thermal Resistance 2.5°C/Watt
- Universal Three-Way Terminals
- Aluminum Case
- Glass Passivated Diode Cells
- Case Electrically Insulated
- Hermetically Sealed Diode Cells



SSDI introduces a new and complete line of Three-Phase, Hyper Fast, Bridge Rectifiers Assemblies, designed in aluminum cases to provide maximum thermal conductivity and Simple installation. A unique 3-way terminal provides the designer a choice of using Faston terminal, wire wrap or soldering hole. This series features SSDI's exclusive glass passivated rectifier cells for high reliability and mechanical strength. Ultra Fast and Standard Recovery bridges are also available. Consult your factory representative for engineering assistance.

Type	PIV per leg	Sine Wave RMS input Voltage Max.	Average DC Output Amps TC = (case temp.)		Reverse Recovery Time *T _{rr}	Average DC Output Amps TA = Ambient Temp (No heat Sink)		Peak 1 Cycle Forward Surge	Peak Recurrent Forward	VF Max per leg @ ADC 3	Reverse Current (I _R Max. per leg. @ PIV)	
			50°C	100°C		25°C	55°C				25°C	100°C
	VOLTS	VOLTS	AMPS	AMPS	ns	AMPS	AMPS	AMPS	AMPS	VOLTS	UA	UA
SDA36AHF	100	70	14	10	40	5	4	150	60	1.35	10	1000
SDA36BHF	200	140	14	10	40	5	4	150	60	1.35	10	1000
SDA36CHF	300	210	14	10	40	5	4	150	60	1.35	10	1000
SDA36DHF	400	280	14	10	40	5	4	150	60	1.35	10	1000
SDA36EHF	500	350	14	10	40	5	4	150	60	1.35	10	1000
SDA36FHF	600	420	14	10	40	5	4	150	60	1.35	10	1000

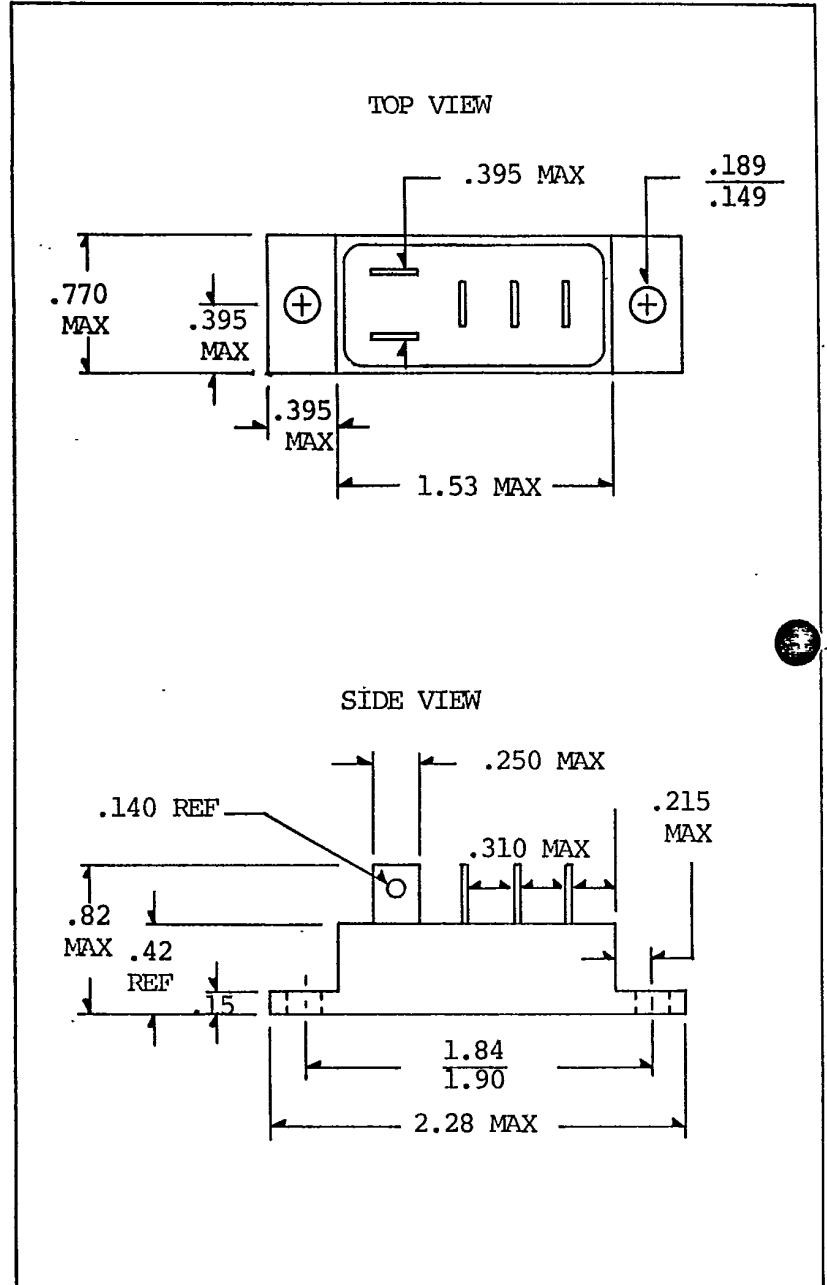
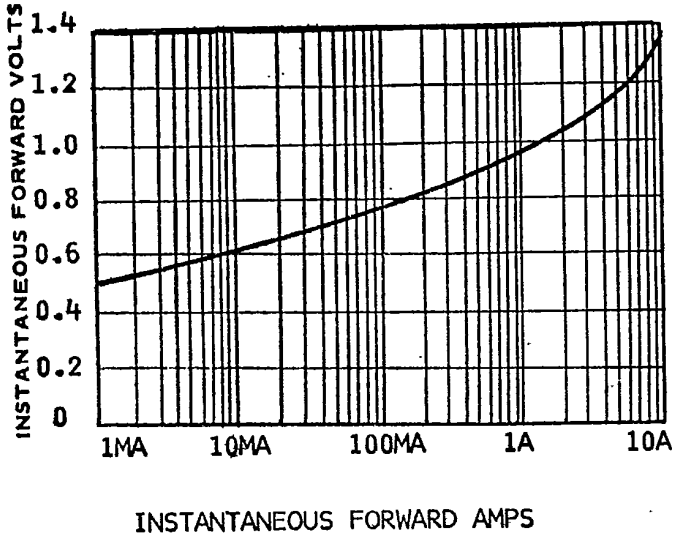
Higher Voltages Are Available. Contact Factory.

NOTE: Specifications Subject to Change Without Notice.
*Recovery Time Conditions; I_F = .5A, I_R = 1A, I_{rr} = .25A

SSDI SOLID STATE DEVICES, INC.



TYPICAL DYNAMIC FORWARD CHARACTERISTICS



MAXIMUM RATINGS FOR CAPACITY LOADS

