



PRELIMINARY

SOLID STATE DEVICES, INC.

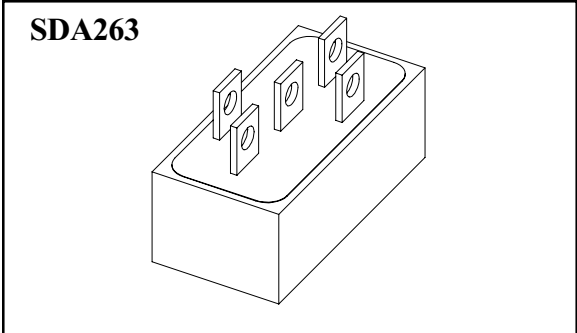
14830 Valley View Blvd * La Mirada, Ca 90638
Phone: (562) 404-7855 * Fax: (562) 404-1773

Designer's Data Sheet

**SDA262EF-3
thru
SDA262GF-3**

**50 AMPS
600 - 1000 VOLTS
FAST RECOVERY
THREE PHASE BRIDGE**

- FEATURES:**
- PIV 600 to 1000 Volts
 - Average Output 50A.
 - Reverse Recovery 200 nsec Max ^{1/}
 - Avalanche Breakdown
 - Hermetically Sealed Diodes
 - Electrically Insulated Aluminum Case
 - Threaded Holes for Ease of Installation
 - Maximum Thermal Resistance 1.5°C/W
 - -55 to +150°C Operating and Storage Temperature
 - TX and TXV Level Screening Available



ELECTRICAL CHARACTERISTICS

Part Number	Peak Inverse Voltage (per Leg)	Average Rectified Current	Maximum Surge Current (1 Cycle)	Maximum Forward Voltage (per Leg)	Maximum Reverse Current (@ PIV)	
Symbol	PIV	I _O	I _{FSM}	V _F	I _R	
Units	Volts	Amps	Amps	Volts	μA	
Conditions	25°C	25°C	25°C	I _F =10A, T _A =25°C	25°C	100°C
SDA262EF-3	600	50	240	1.20	10	500
SDA262FF-3	800	50	240	1.20	10	500
SDA262GF-3	1000	50	240	1.20	10	500

NOTES:

- 1/ Reverse Recovery Time Conditions: I_F = .5A, I_R = 1A, I_{RR} = 25A.
2. Maximum forward voltage measured with instantaneous forward pulse of 300μsec minimum.
3. Unless otherwise specified: T_A = 25°C.

NOTE: All specifications are subject to change without notification. SCD's for these devices should be reviewed by SSDI prior to release.

DATA SHEET # : RA0014A

**SDA262EF-3
thru
SDA262GF-3**

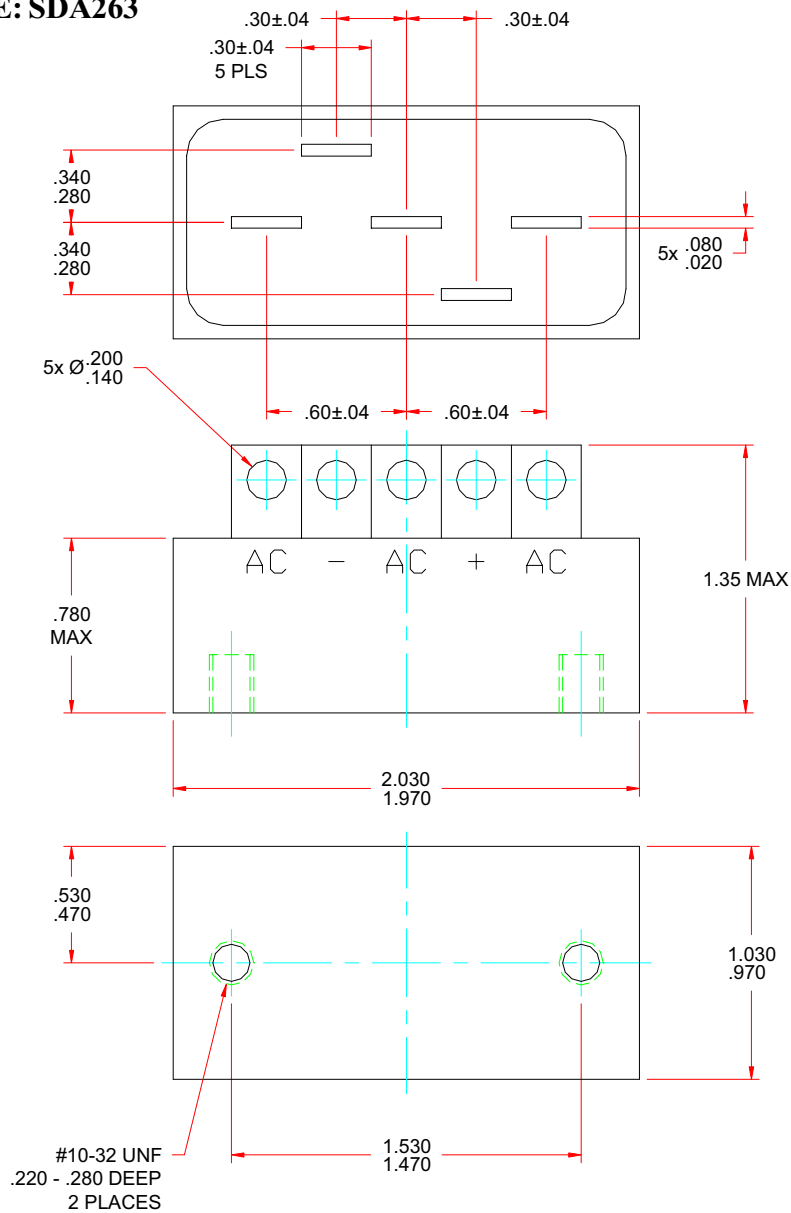
PRELIMINARY



SOLID STATE DEVICES, INC.

14830 Valley View Blvd * La Mirada, Ca 90638
Phone: (562) 404-7855 * Fax: (562) 404-1773

PACKAGE OUTLINE: SDA263



NOTES:

Consult manufacturing for operating curves.