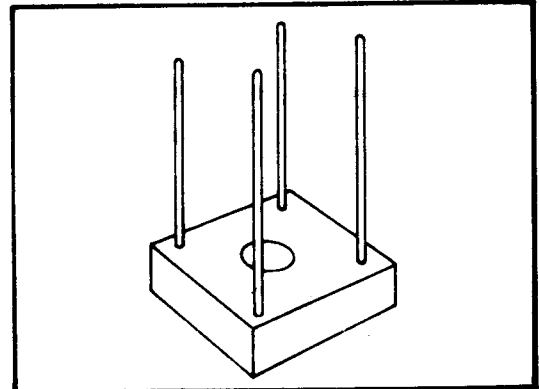


# 2 amp bridge rectifier assembly

X00169  
**SSDI**

- AVERAGE OUTPUT CURRENT 2 AMPS
- PIV 50 TO 1000 VOLTS
- ALL WELDED INTERCONNECTS
- HERMETICALLY SEALED DIODE CELLS
- UNIVERSAL 2 MOUNTING POSITION CASE
- THERMAL CONDUCTIVE EPOXY ENCAPSULATED



SSDI introduces a new and complete line of Single Phase, Rectifier Bridge Assemblies. Designed in thermal conductive epoxy encapsulated cases to provide maximum thermal conductivity and simple installation. A unique 2 mounting position case provides the designer a choice of mounting the device using the screw hole or plugging the device into a circuit board type application. This series features SSDI's exclusive glass passivated rectifier cells and welded interconnects for high reliability and mechanical strength. Fast recovery bridges are available on special order. Consult your factory representative for engineering assistance.

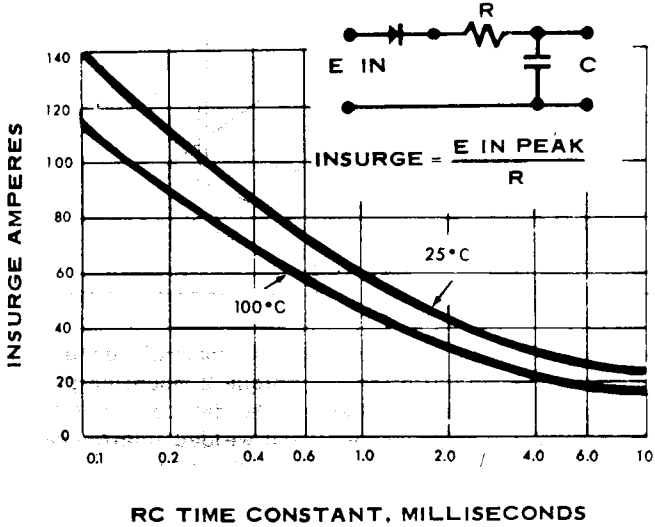
Type	PIV per leg	Sine Wave RMS input Voltage Max.	Average DC Output Amps TC = (case temp.)			Peak 1 Cycle Forward Surge	Peak Recurrent Forward Surge	VF Max. per leg ± 2ADC	Reverse Current (I <sub>R</sub> Max. per leg. @ PIV)	
			55 °C	100 °C	125 °C				25 °C	100 °C
			VOLTS	VOLTS	AMPS				AMPS	AMPS
SDA 117 A	50	35	2	1.2	1	50	10	1.2	2	50
SDA 117 B	100	70	2	1.2	1	50	10	1.2	2	50
SDA 117 C	200	140	2	1.2	1	50	10	1.2	2	50
SDA 117 D	400	280	2	1.2	1	50	10	1.2	2	50
SDA 117 E	600	420	2	1.2	1	50	10	1.2	2	50
SDA 117 F	800	560	2	1.2	1	50	10	1.2	2	50
SDA 117 G	1000	700	2	1.2	1	50	10	1.2	2	50

**SOLID STATE DEVICES, INC.**

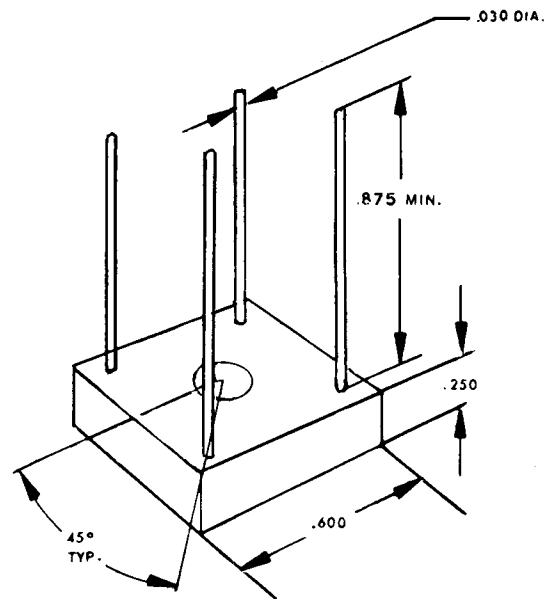
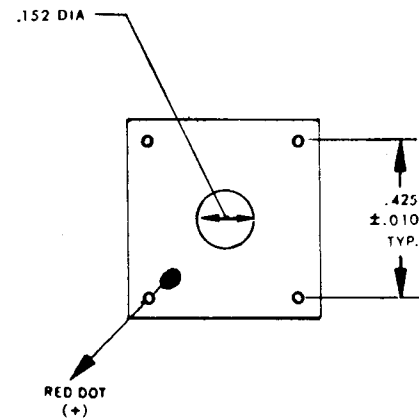
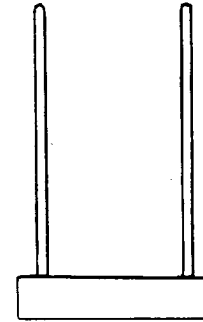
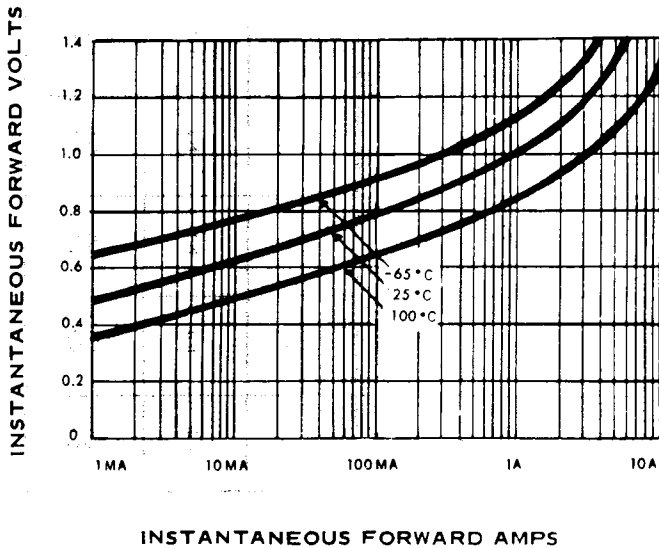


# application notes

## MAXIMUM RATINGS FOR CAPACITY LOADS



## TYPICAL DYNAMIC FORWARD CHARACTERISTICS AT VARIOUS JUNCTION TEMPERATURES PER LEG



TOLERANCE XX ± .03

XXX ± .020

FRACTIONAL = NOMINAL DIMENSION

# SOLID STATE DEVICES, INC.

Form 301