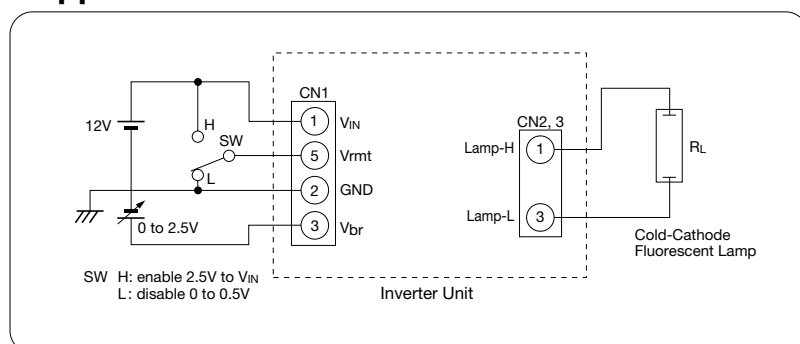


Application



Absolute maximum ratings

Parameter	Symbol	Ratings	Unit	Remarks
DC input voltage	V_{IN}	0 to 14.4	V	
On-Off voltage	V_{rmt}	0 to 14.4	V	
Dimming voltage	V_{br}	0 to 3.0	V	
Output power	P_L	5.0	W	Per 1 lamp
Operating temp.	T_{opr}	0 to 60	°C	
Storage temp.	T_{stg}	-20 to 80	°C	
Humidity	RH	95	%RH	Maximum wet-bulb temp. 38°C No dew condensation

Electrical characteristics

Conditions: at $T_{opr}=25^{\circ}\text{C}$, $V_{IN}=12\text{V}$ (unless otherwise stated)

Parameter	Symbol	Ratings			Unit	Remarks
		min	typ	max		
DC input voltage	V_{IN}	10.8	12	13.2	V	
Input current	I_{IN}	—	—	1500	mA	$V_{IN}=12\text{V}$
Driving frequency	f_{sw}	50	55	60	kHz	$R_L=73\text{k}\Omega$
Output current	I_L	—	8.0	—	mArms	Per 1 lamp $R_L=73\text{k}\Omega$, $V_{br}=0\text{V}$
		—	2.5	—	mArms	Per 1 lamp $R_L=73\text{k}\Omega$, $V_{br}=2.5\text{V}$
Dimming control frequency	f_{PWM}	240		300	Hz	
Output Power	P_L	—	4.7	—	W	$R_L=73\text{k}\Omega$
Open voltage	V_o	1500	—	—	Vrms	$V_{IN}=10.8\text{V}$, $R_L=100\text{M}\Omega$

Dimming characteristics

