

**Features**

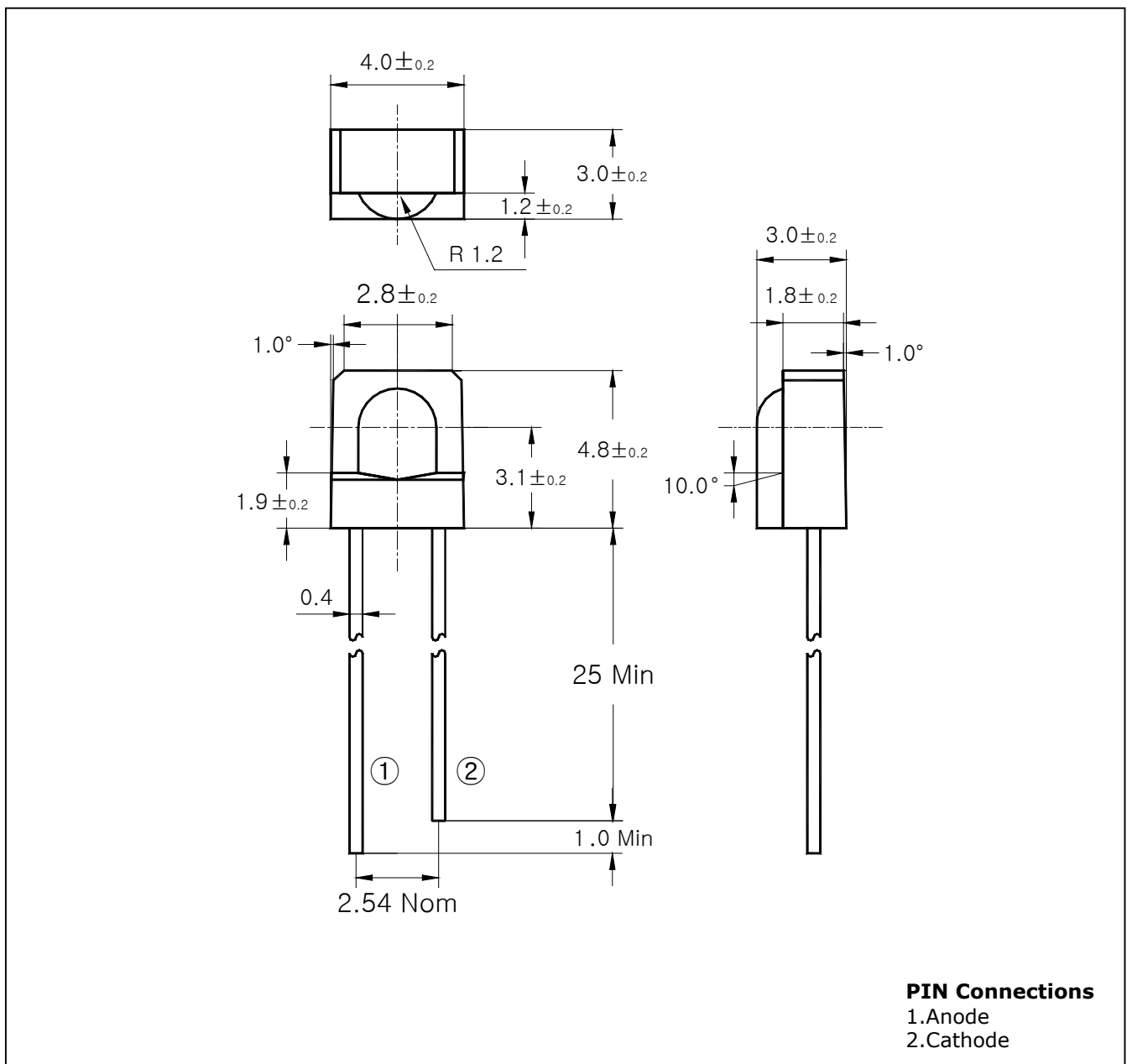
- Red Colored transparency lens type
- Side view package(4.0mm×4.8mm)
- Thin lead frame(Thickness : 0.4mm)

**Application**

- Backlighting lamp (car audio etc.)
- Indicator lamp(Monitor, CD-Rom, Printer etc.)

**Outline Dimensions**

**unit : mm**



**Absolute maximum ratings**

Characteristic	Symbol	Ratings	Unit
Power Dissipation	$P_D$	65	mW
Forward Current	$I_F$	25	mA
* <sup>1</sup> Peak Forward Current	$I_{FP}$	50	mA
Reverse Voltage	$V_R$	4	V
Operating Temperature	$T_{opr}$	-25 ~ 80	°C
Storage Temperature	$T_{stg}$	-30 ~ 100	°C
* <sup>2</sup> Soldering Temperature	$T_{sol}$	260°C for 5 seconds	

\*1. Duty ratio = 1/16, Pulse width = 0.1ms

\*2. Keep the distance more than 2.0mm from PCB to the bottom of LED package

**Electrical Characteristics**

Characteristic	Symbol	Test Condition	Min	Typ	Max	Unit
Forward Voltage	$V_F$	$I_F = 20\text{mA}$	-	2.1	2.7	V
Luminous Intensity	$I_V$	$I_F = 20\text{mA}$	14	27	-	mcd
Peak Wavelength	$\lambda_P$	$I_F = 20\text{mA}$	-	630	-	nm
Spectrum Bandwidth	$\Delta \lambda$	$I_F = 20\text{mA}$	-	35	-	nm
Reverse Current	$I_R$	$V_R = 4\text{V}$	-	-	10	μA
* <sup>3</sup> Half Angle	$\theta_{1/2}$	$I_F = 20\text{mA}$	-	±22	-	deg

\*3.  $\theta_{1/2}$  is the off-axis angle where the luminous intensity is 1/2 the peak intensity

Characteristic Diagrams

Fig. 1  $I_F - V_F$

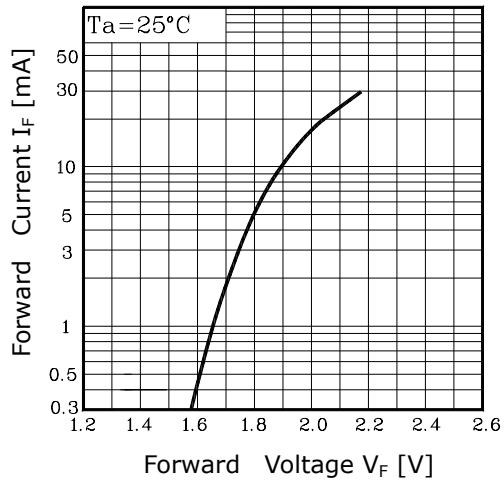


Fig. 2  $I_V - I_F$

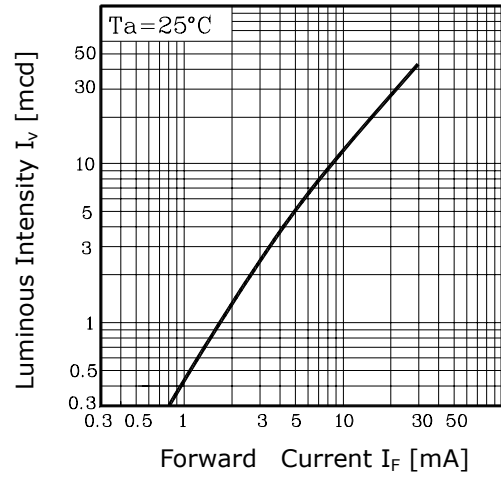


Fig. 3  $I_F - T_a$

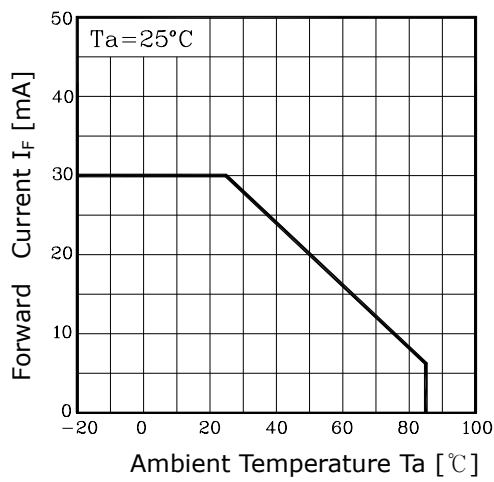


Fig. 4 Spectrum Distribution

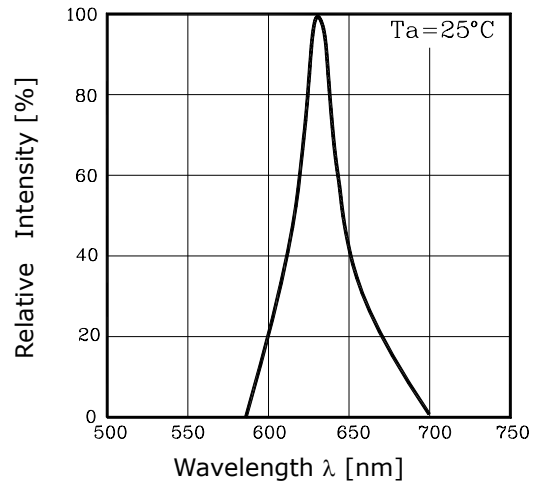


Fig. 5 Radiation Diagram

