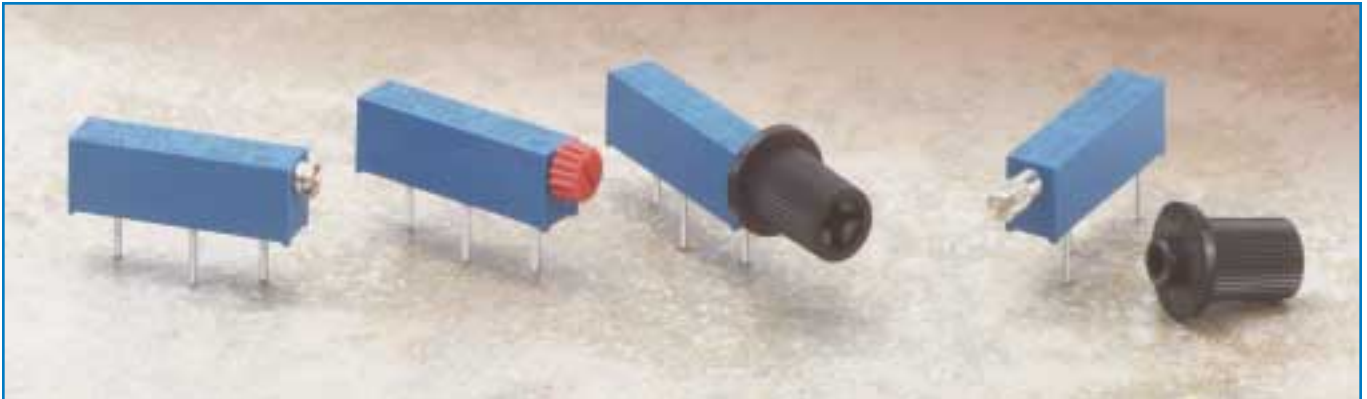


3/4" Rectilinear, 15-Turn, Through-Hole, Sealed Cermet Trimmers



Features

- 3/4" rectilinear, 15-turn, through-hole, sealed cermet trimmers
- Miniature design for component density
- Side adjust with single-slot standard or extended shaft
- Knob styles available for easier adjustment
- State-of-the-art brush contact design
- Excellent stability and low noise
- PC board solderable pins
- Sealed to withstand wave soldering and immersion cleaning
- Meets UL flammability standards

Specifications

Electrical

Standard Resistance Range	10Ω to 1MΩ (standard 1, 2 & 5 sequence)
Resistance Tolerance	±10% and ±20%
End Resistance	1% or 3Ω, whichever is greater
Resistance Taper	Linear
Peak Noise (C.R.V.)	1% or 1Ω, whichever is greater
Power Rating	0.75 watt at +70°C, 0 watt at +125°C
Maximum Input Voltage	300VDC or power rating, whichever is smaller
Temperature Coefficient	±100ppm/°C, 200Ω to 1MΩ ±250ppm/°C, other values
Insulation Resistance	1,000MΩ minimum at 500VDC
Dielectric Strength	900VAC, 1 minute
Adjustment Travel	15±3 turns

Mechanical

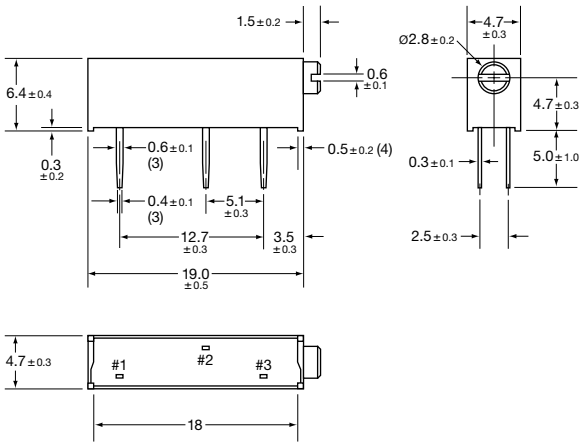
Mechanical Travel	15±3 turns
Shaft Torque	300 gf•cm (4.16 oz•in) max.
Stop Strength	Clutch action
Flammability of Plastic Materials	UL 94V-0 for housing; UL 94HB for knob
Nominal Weight	1.1g (P); 1.3g (PK) 1.7g (PK1 with knob attached & PK2)
Marking	Resistance code, date code, model type, wiring diagram

Environmental

Temperature Range	-55°C to +125°C
Low Temperature Operation	-55°C, 0.75 watt, 45 minutes ΔT/R ≤ ±3%, S.S. ≤ ±1%
High Temperature Exposure	+125°C, 250 hours ΔT/R ≤ ±3%, S.S. ≤ ±1%
Load Life	+70°C, 0.75 watt, 1,000 hours ΔT/R ≤ ±3%, S.S. ≤ ±3%
Thermal Shock	-55°C, +125°C, 30 minutes each, 5 cycles ΔT/R ≤ ±2%, S.S. ≤ ±1%
Shock	50G, 6ms, 6 directions, 3 times each ΔT/R ≤ ±1%, S.S. ≤ ±1%
Vibration	10-2,000Hz, 1.5mm amplitude, 20G, 12 hours ΔT/R ≤ ±1%, S.S. ≤ ±1%
Humidity	+40°C, 90-95% RH, 0.75 watt, 1,000 hours ΔT/R ≤ ±3%, S.S. ≤ ±1%
Moisture Resistance	-10°C to +65°C, 80-98% RH, 0.75 watt, 10 cycles, 240 hours ΔT/R ≤ ±3%
Soldering Heat Resistance	350°C, 3 seconds ΔT/R ≤ ±1%
Seal Test	+85°C, hot water for 1 minute
Rotational Life	200 cycles without discontinuity ΔT/R ≤ ±3%

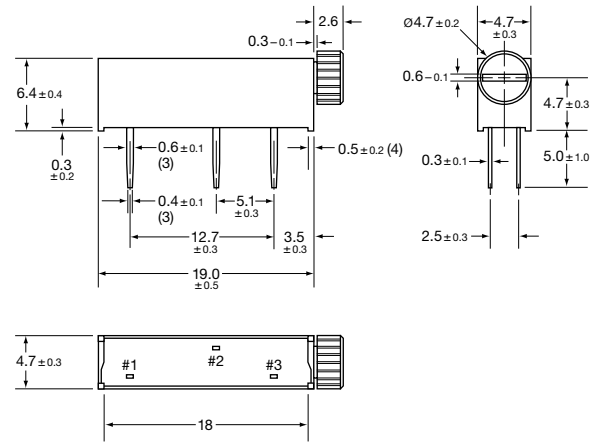
ΔT/R = Total Resistance Change; S.S. = Setting Stability (voltage ratio)

RJC097P
Single-Slot, Short Shaft, Side Adjust

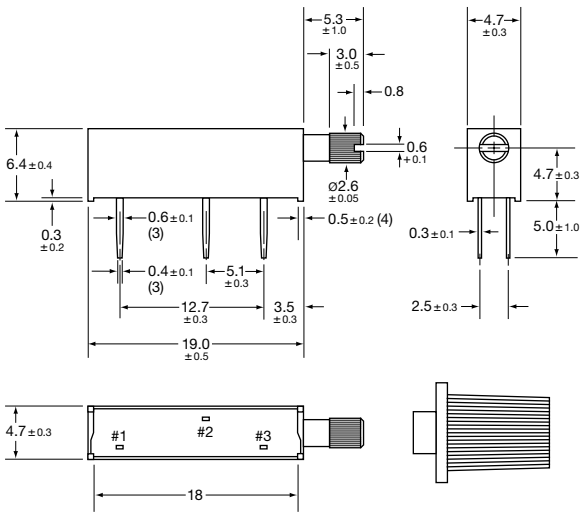


RJC097PK
Short Shaft, Permanent Small Knob, Side Adjust

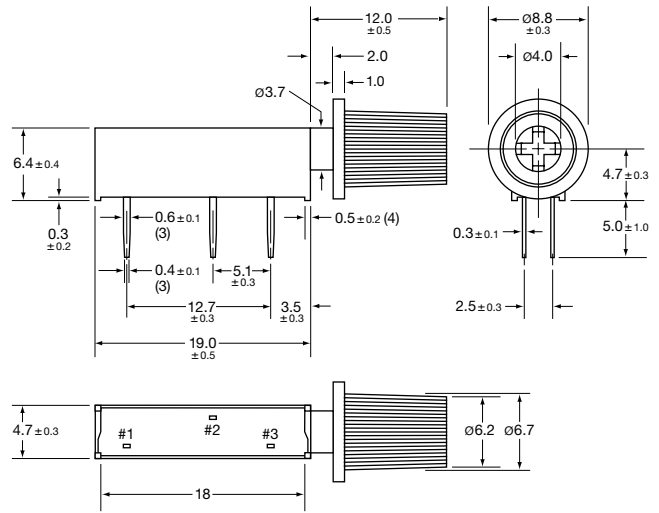
Unit: mm



RJC097PK1
Single-Slot, Extended Shaft, Side Adjust,
Removable Large Knob (same knob as PK2)



RJC097PK2
Extended Shaft, Permanent Large Knob, Side Adjust

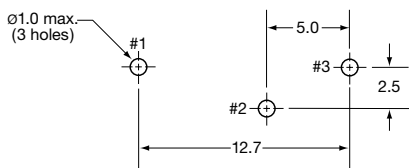


The knob shipped with the PK1 is the same style and size as the PK2 knob. With the knob attached, the dimensions and weight of PK1 are the same as the PK2 model.

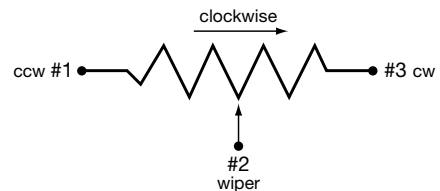
Recommended PCB Layout

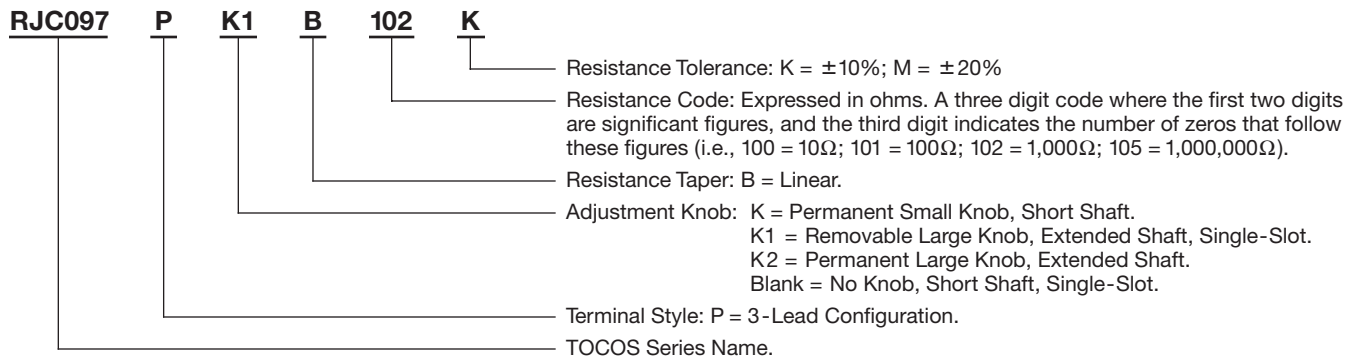
P, PK, PK1 & PK2 Pin-Out

Unit: mm



Electrical Schematic






Part Numbers

Nominal Resistance		Catalog No. Bulk		Potentiometer Styles
Value (Ω)	Code	Resistance Tolerance $\pm 10\%$	Resistance Tolerance $\pm 20\%$	

RJC097P Through-Hole, P Terminal Style, Single-Slot, Short Shaft, Side Adjust

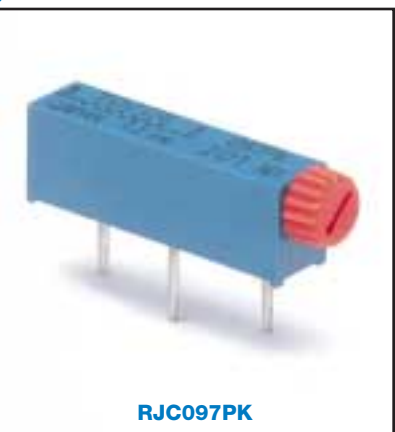
10	100	RJC097P B 100 K	RJC097P B 100 M
20	200	RJC097P B 200 K	RJC097P B 200 M
50	500	RJC097P B 500 K	RJC097P B 500 M
100	101	RJC097P B 101 K	RJC097P B 101 M
200	201	RJC097P B 201 K	RJC097P B 201 M
500	501	RJC097P B 501 K	RJC097P B 501 M
1,000	102	RJC097P B 102 K	RJC097P B 102 M
2,000	202	RJC097P B 202 K	RJC097P B 202 M
5,000	502	RJC097P B 502 K	RJC097P B 502 M
10,000	103	RJC097P B 103 K	RJC097P B 103 M
20,000	203	RJC097P B 203 K	RJC097P B 203 M
50,000	503	RJC097P B 503 K	RJC097P B 503 M
100,000	104	RJC097P B 104 K	RJC097P B 104 M
200,000	204	RJC097P B 204 K	RJC097P B 204 M
500,000	504	RJC097P B 504 K	RJC097P B 504 M
1,000,000	105	RJC097P B 105 K	RJC097P B 105 M



RJC097P

RJC097PK Through-Hole, P Terminal Style, Short Shaft, Permanent Small Knob, Side Adjust

10	100	RJC097PK B 100 K	RJC097PK B 100 M
20	200	RJC097PK B 200 K	RJC097PK B 200 M
50	500	RJC097PK B 500 K	RJC097PK B 500 M
100	101	RJC097PK B 101 K	RJC097PK B 101 M
200	201	RJC097PK B 201 K	RJC097PK B 201 M
500	501	RJC097PK B 501 K	RJC097PK B 501 M
1,000	102	RJC097PK B 102 K	RJC097PK B 102 M
2,000	202	RJC097PK B 202 K	RJC097PK B 202 M
5,000	502	RJC097PK B 502 K	RJC097PK B 502 M
10,000	103	RJC097PK B 103 K	RJC097PK B 103 M
20,000	203	RJC097PK B 203 K	RJC097PK B 203 M
50,000	503	RJC097PK B 503 K	RJC097PK B 503 M
100,000	104	RJC097PK B 104 K	RJC097PK B 104 M
200,000	204	RJC097PK B 204 K	RJC097PK B 204 M
500,000	504	RJC097PK B 504 K	RJC097PK B 504 M
1,000,000	105	RJC097PK B 105 K	RJC097PK B 105 M



RJC097PK

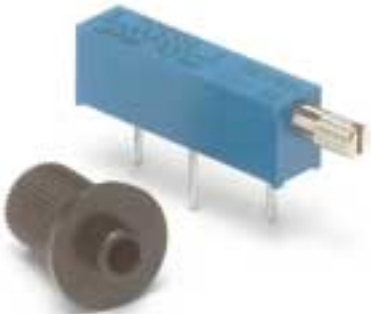
RJC097 Series

Part Numbers

Nominal Resistance		Catalog No. Bulk		Potentiometer Styles
Value (Ω)	Code	Resistance Tolerance $\pm 10\%$	Resistance Tolerance $\pm 20\%$	

RJC097PK1 Through-Hole, P Terminal Style, Single-Slot, Extended Shaft, Removable Large Knob, Side Adjust


10	100	RJC097PK1 B 100 K	RJC097PK1 B 100 M
20	200	RJC097PK1 B 200 K	RJC097PK1 B 200 M
50	500	RJC097PK1 B 500 K	RJC097PK1 B 500 M
100	101	RJC097PK1 B 101 K	RJC097PK1 B 101 M
200	201	RJC097PK1 B 201 K	RJC097PK1 B 201 M
500	501	RJC097PK1 B 501 K	RJC097PK1 B 501 M
1,000	102	RJC097PK1 B 102 K	RJC097PK1 B 102 M
2,000	202	RJC097PK1 B 202 K	RJC097PK1 B 202 M
5,000	502	RJC097PK1 B 502 K	RJC097PK1 B 502 M
10,000	103	RJC097PK1 B 103 K	RJC097PK1 B 103 M
20,000	203	RJC097PK1 B 203 K	RJC097PK1 B 203 M
50,000	503	RJC097PK1 B 503 K	RJC097PK1 B 503 M
100,000	104	RJC097PK1 B 104 K	RJC097PK1 B 104 M
200,000	204	RJC097PK1 B 204 K	RJC097PK1 B 204 M
500,000	504	RJC097PK1 B 504 K	RJC097PK1 B 504 M
1,000,000	105	RJC097PK1 B 105 K	RJC097PK1 B 105 M



RJC097PK1

RJC097PK2 Through-Hole, P Terminal Style, Extended Shaft, Permanent Large Knob, Side Adjust

10	100	RJC097PK2 B 100 K	RJC097PK2 B 100 M
20	200	RJC097PK2 B 200 K	RJC097PK2 B 200 M
50	500	RJC097PK2 B 500 K	RJC097PK2 B 500 M
100	101	RJC097PK2 B 101 K	RJC097PK2 B 101 M
200	201	RJC097PK2 B 201 K	RJC097PK2 B 201 M
500	501	RJC097PK2 B 501 K	RJC097PK2 B 501 M
1,000	102	RJC097PK2 B 102 K	RJC097PK2 B 102 M
2,000	202	RJC097PK2 B 202 K	RJC097PK2 B 202 M
5,000	502	RJC097PK2 B 502 K	RJC097PK2 B 502 M
10,000	103	RJC097PK2 B 103 K	RJC097PK2 B 103 M
20,000	203	RJC097PK2 B 203 K	RJC097PK2 B 203 M
50,000	503	RJC097PK2 B 503 K	RJC097PK2 B 503 M
100,000	104	RJC097PK2 B 104 K	RJC097PK2 B 104 M
200,000	204	RJC097PK2 B 204 K	RJC097PK2 B 204 M
500,000	504	RJC097PK2 B 504 K	RJC097PK2 B 504 M
1,000,000	105	RJC097PK2 B 105 K	RJC097PK2 B 105 M



RJC097PK2

Packaging

Standard:

Bulk Packaging

Quantity

P & PK: 20 pieces per vinyl bag.

200 pieces per box.

PK1 & PK2: 10 pieces per vinyl bag.

100 pieces per box.

Soldering and Cleaning Guidelines

For soldering, cleaning and other information, refer to Guidelines and Precautions for Using Potentiometers.