

Small Signal Schottky diode

RB751V-40S2

Description

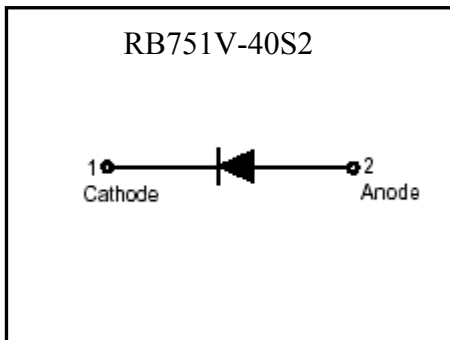
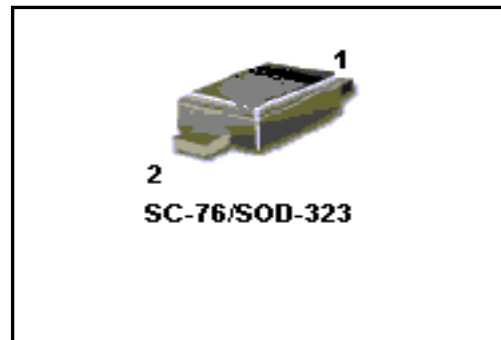
Planar silicon Schottky barrier diode encapsulated in a SOD-323 plastic SMD package.

Features

- Small surface mounting type SC-76/SOD323
- Low reverse current and low forward voltage
- High reliability

Applications

Low current rectification and high speed switching

Symbol**Outline****Absolute Maximum Ratings**

- Maximum Temperatures
 - Storage Temperature T_{stg} -40~+125°C
 - Junction Temperature T_j +125°C
- Maximum Voltages and Currents ($T_a=25^\circ\text{C}$)
 - Peak Reverse Voltage V_{RM} 40 V
 - DC Reverse Voltage V_R 30 V
 - Mean Rectifying Current I_o 30 mA
 - Peak Forward Surge Current I_{FSM} 200 mA

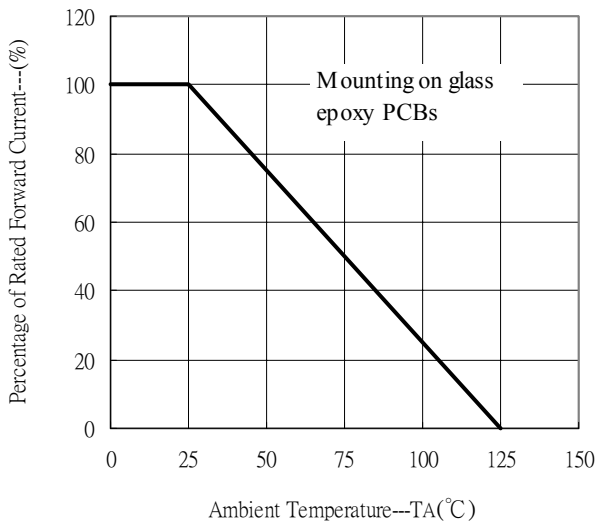


Characteristics (Ta=25°C)

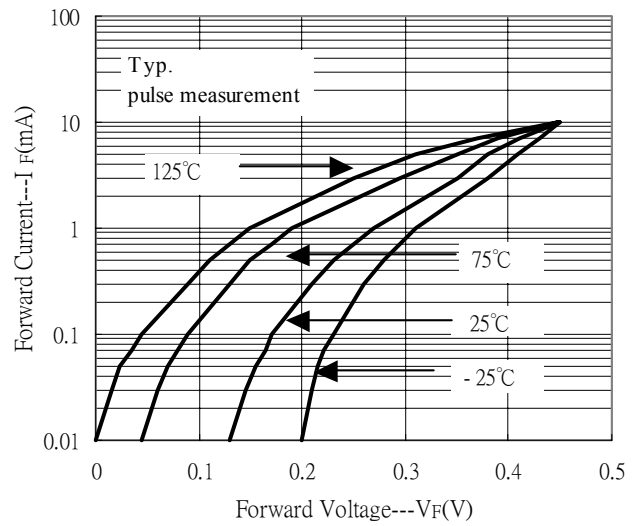
Characteristic	Symbol	Condition	Min.	Typ	Max.	Unit
Forward Voltage	V _F	I _F =1mA	-	-	370	mV
Reverse Leakage Current	I _R	V _R =30V	-	-	0.5	μA
Capacitance Between Terminals	C _T	V _R =1V, f=1MHz	-	2	-	pF

Characteristic Curves

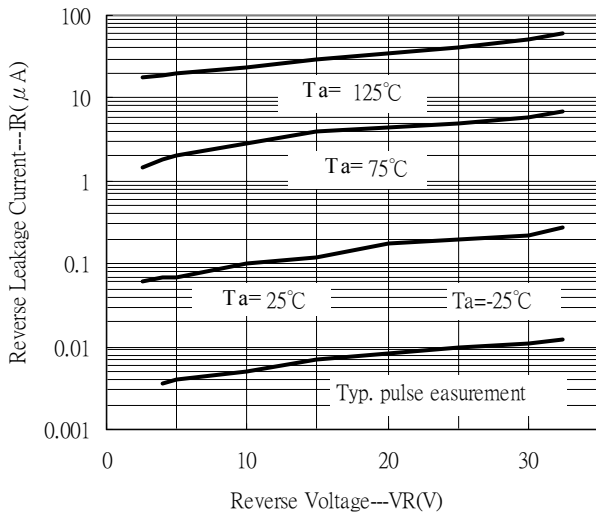
Forward Current Derating Curve



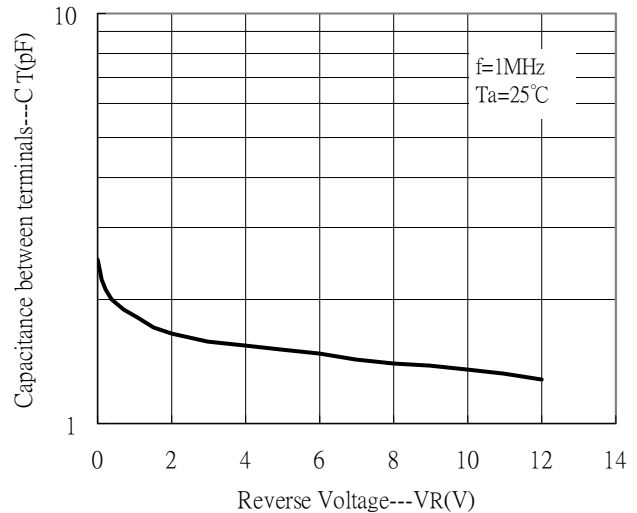
Forward Current vs Forward Voltage



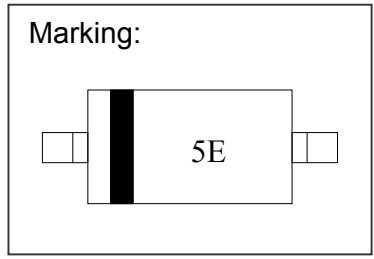
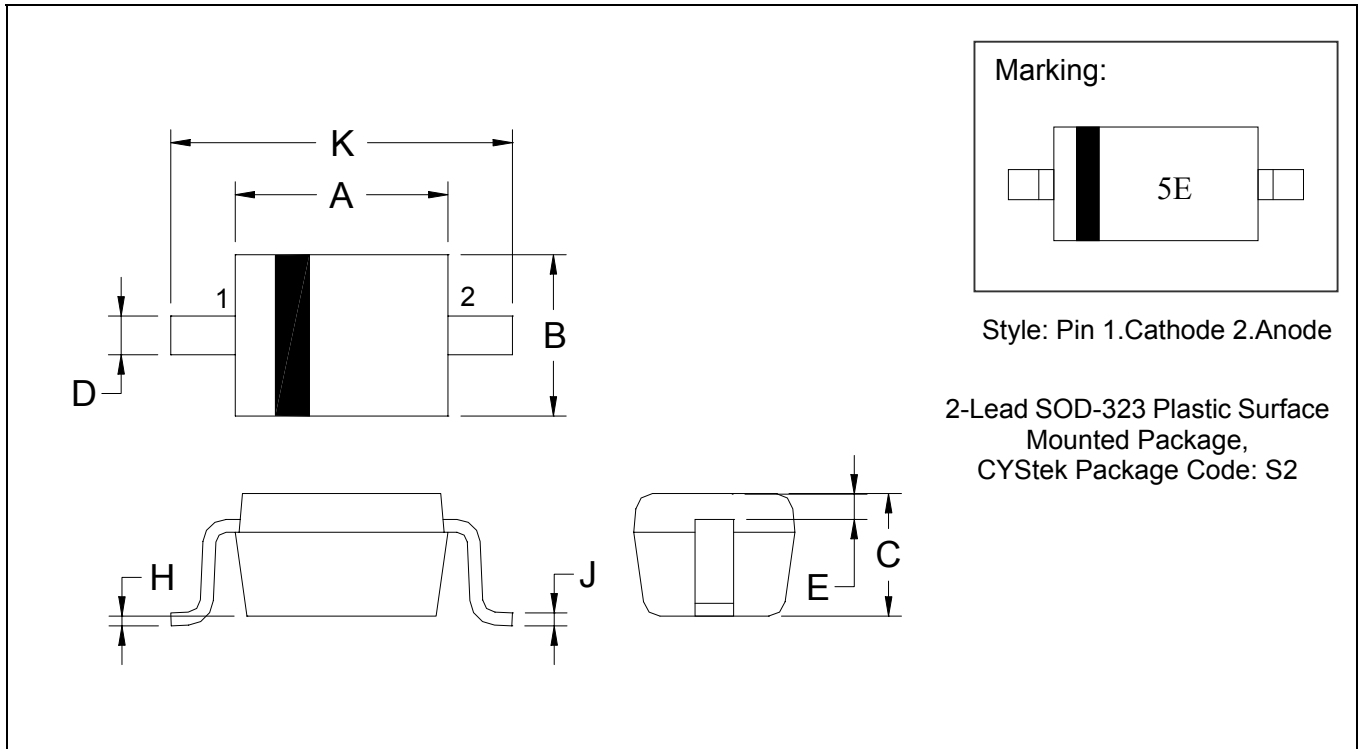
Reverse Leakage Current vs Reverse Voltage



Capacitance vs Reverse Voltage



SOD-323 Dimension



Style: Pin 1.Cathode 2.Anode

2-Lead SOD-323 Plastic Surface Mounted Package,
 CYStek Package Code: S2

*: Typical

DIM	Inches		Millimeters		DIM	Inches		Millimeters	
	Min.	Max.	Min.	Max.		Min.	Max.	Min.	Max.
A	0.0630	0.0709	1.60	1.80	E	0.0060 REF		0.15 REF	
B	0.0453	0.0531	1.15	1.35	H	0.0000	0.0040	0.00	0.10
C	0.0315	0.0394	0.80	1.00	J	0.0035	0.0070	0.089	0.177
D	0.0098	0.0157	0.25	0.40	K	0.0906	0.1063	2.30	2.70

Notes: 1.Controlling dimension : millimeters.
 2.Lead thickness specified per L/F drawing with solder plating.
 3.If there is any question with packing specification or packing method, please contact your local CYStek sales office.

Material:

- Lead: 42 Alloy ; solder plating
- Mold Compound: Epoxy resin family, flammability solid burning class: UL94V-0

Important Notice:

- All rights are reserved. Reproduction in whole or in part is prohibited without the prior written approval of CYStek.
- CYStek reserves the right to make changes to its products without notice.
- CYStek **semiconductor products are not warranted to be suitable for use in Life-Support Applications, or systems.**
- CYStek assumes no liability for any consequence of customer product design, infringement of patents, or application assistance.