

**Compact, 25 mm(1 Inch) Diameter
Good Near IR Response with Prismatic Window
10-stage, Head-On Type**

GENERAL

Parameter		Description / Value	Unit
Spectral Response		300 to 900	nm
Wavelength of Maximum Response		420	nm
Photocathode	Material	Multialkali	–
	Minimum Effective Area	21	mm dia.
Window Material		Borosilicate glass	–
Dynode	Structure	Circular-cage	–
	Number of Stages	10	–
Direct Interelectrode Capacitances	Anode to Last Dynode	1.2	pF
	Anode to All Other Electrodes	1.8	pF
Base		14-pin glass base	–
Suitable Socket		E678-14C (supplied)	–

MAXIMUM RATINGS (Absolute Maximum Values)

Parameter		Value	Unit
Supply Voltage	Between Anode and Cathode	1250	Vdc
	Between Anode and Last Dynode	250	Vdc
Average Anode Current		0.1	mA
Ambient Temperature		-80 to +50	°C

CHARACTERISTICS (at 25 °C)

Parameter		Min.	Typ.	Max.	Unit
Cathode Sensitivity	Luminous (2856 K)	130	230	–	μA/lm
	Radiant at 420 nm	–	65	–	mA/W
	Blue Sensitivity Index (CS 5-58)	–	0.25	–	–
Anode Sensitivity	Luminous (2856 K)	20	100	–	A/lm
	Radiant at 420 nm	–	2.8×10^4	–	A/W
Gain		–	4.3×10^5	–	–
Anode Dark Current (after 30 min storage in darkness)		–	3	20	nA
Time Response	Anode Pulse Rise Time	–	2.2	–	ns
	Electron Transit Time	–	19	–	ns
	Transit Time Spread(FWHM)	–	1.1	–	ns

NOTE: Anode characteristics are measured with the voltage distribution ratio shown below.

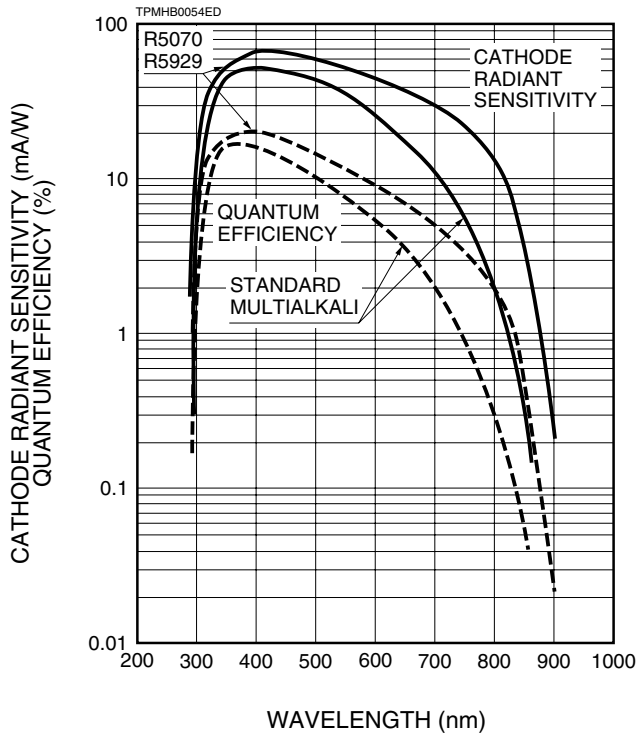
VOLTAGE DISTRIBUTION RATIO AND SUPPLY VOLTAGE

Electrodes	K	Dy1	Dy2	Dy3	Dy4	Dy5	Dy6	Dy7	Dy8	Dy9	Dy10	P
Ratio	3	1	1	1	1	1	1	1	1	1	1	1

Supply Voltage: 1000 V dc, K: Cathode, Dy: Dynode, P: Anode

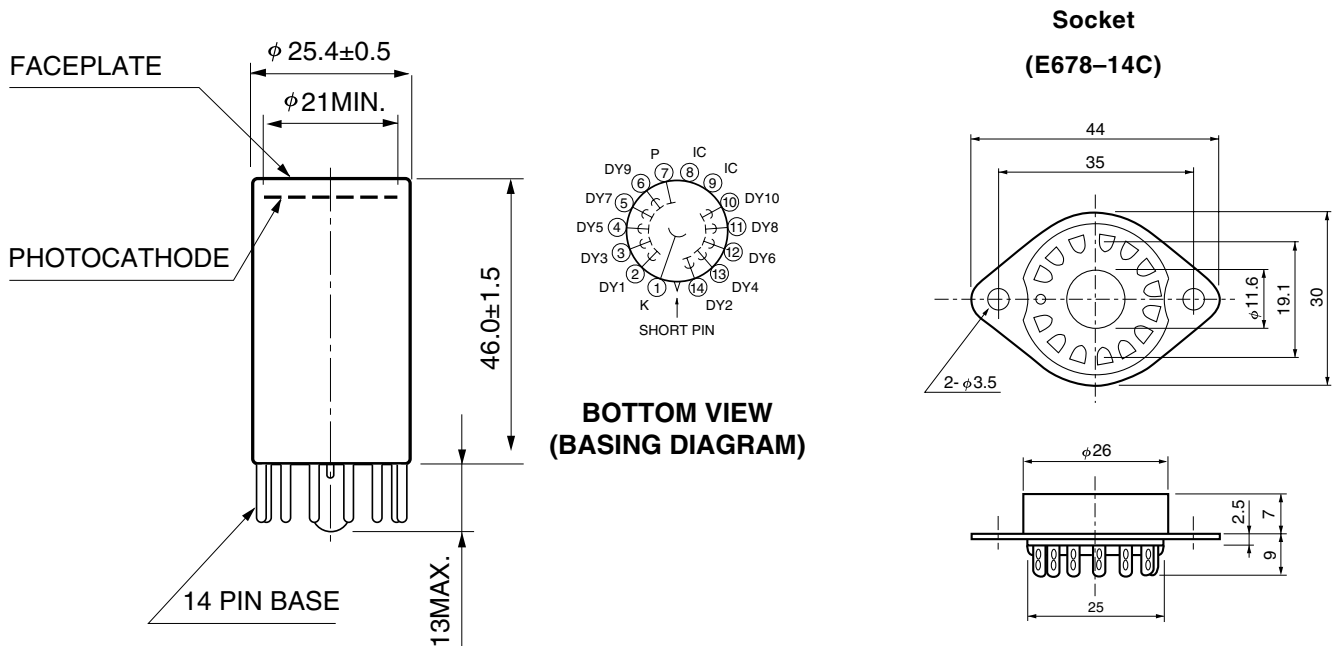
PHOTOMULTIPLIER TUBE R5070

Figure 1: Typical Spectral Response



Wavelength (nm)	400	500	600	700	800
Ratio of Sensitivity Increase (%)	+30	+35	+70	+150	+500

Figure 2: Dimensional Outline and Basing Diagram (Unit: mm)



TPMHA0033EA

TACCA0004EA

HAMAMATSU

HOME PAGE URL <http://www.hamamatsu.com>

HAMAMATSU PHOTONICS K.K., Electron Tube Center

314-5, Shimokanzo, Toyooka-village, Iwata-gun, Shizuoka-ken, 438-0193, Japan, Telephone: (81)539/62-5248, Fax: (81)539/62-2205

U.S.A.: Hamamatsu Corporation: 360 Foothill Road, P. O. Box 6910, Bridgewater, N.J. 08807-0910, U.S.A., Telephone: (1)908-231-0960, Fax: (1)908-231-1218 E-mail: usa@hamamatsu.com

Germany: Hamamatsu Photonics Deutschland GmbH: Arzbergerstr. 10, D-82211 Herrsching am Ammersee, Germany, Telephone: (49)8152-375-0, Fax: (49)8152-2658 E-mail: info@hamamatsu.de

France: Hamamatsu Photonics France S.A.R.L.: 8, Rue du Saule Trapu, Parc du Moulin de Massy, 91882 Massy Cedex, France, Telephone: (33)1 69 53 71 00, Fax: (33)1 69 53 71 10 E-mail: infos@hamamatsu.fr

United Kingdom: Hamamatsu Photonics UK Limited: 2 Howard Court, 10 Tewin Road Welwyn Garden City Hertfordshire AL7 1BW, United Kingdom, Telephone: 44-(0)1707-294888, Fax: 44(0)1707-325777 E-mail: info@hamamatsu.co.uk

North Europe: Hamamatsu Photonics Norden AB: Smidesvägen 12, SE-171-41 SOLNA, Sweden, Telephone: (46)8-509-031-00, Fax: (46)8-509-031-01 E-mail: info@hamamatsu.se

Italy: Hamamatsu Photonics Italia: S.R.L.: Strada della Moia, 1/E, 20020 Arese, (Milano), Italy, Telephone: (39)02-935 81 733, Fax: (39)02-935 81 741 E-mail: info@hamamatsu.it

TPMH1032E05
DEC. 2001 IP