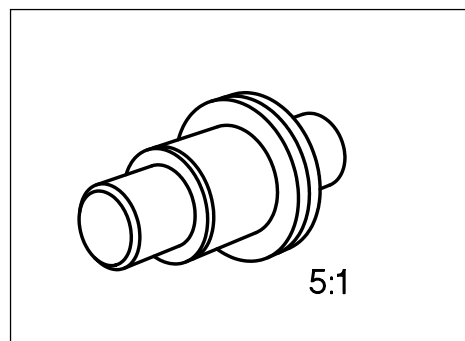


Silicon PIN Diode

BXY 42BA-6

- Fast switching
- Coax package



ESD: Electrostatic discharge sensitive device, observe handling precautions!

Type	Marking	Ordering Code	Pin Configuration	Package ¹⁾
BXY 42BA-6	–	Q62702-X146		D

Maximum Ratings

Parameter	Symbol	Values	Unit
Reverse voltage	V_R	50	V
Peak forward current, $t_p = 1 \mu\text{s}$	I_{FRM}	5	A
Total power dissipation	P_{tot}	800	mW
Junction temperature	T_j	175	°C
Storage temperature range	T_{stg}	– 55 ... + 150	
Operating temperature range	T_{op}	– 55 ... + 150	

1) For detailed information see chapter Package Outlines.

Electrical Characteristics

at $T_A = 25\text{ °C}$, unless otherwise specified.

Parameter	Symbol	Values			Unit
		min.	typ.	max.	
Breakdown voltage $I_R = 10\ \mu\text{A}$	$V_{(BR)}$	50	–	–	V
Reverse current $V_R = 40\ \text{V}$	I_R	–	–	5	nA
Storage time $I_F = 10\ \text{mA}$, $V_R = 10\ \text{V}$	t_s	–	4	–	ns
Diode capacitance $V_R = 20\ \text{V}$, $f = 1\ \text{MHz}$	C_T	–	–	0.34	pF
Charge carrier life time $I_F = 10\ \text{mA}$, $I_R = 6\ \text{mA}$	τ_L	–	40	–	ns
Forward resistance $f = 100\ \text{MHz}$, $I_F = 10\ \text{mA}$	r_f	–	1.5	–	Ω