

Series PVT312

Microelectronic Power IC
 HEXFET® Power MOSFET Photovoltaic Relay
 Single Pole, Normally Open, 0-250V, 190mA AC/DC

General Description

The PVT312 Photovoltaic Relay is a single-pole, normally open solid-state relay that can replace electromechanical relays in many applications. It utilizes International Rectifier's proprietary HEXFET power MOSFET as the output switch, driven by an integrated circuit photovoltaic generator of novel construction. The output switch is controlled by radiation from a GaAlAs light emitting diode (LED) which is optically isolated from the photovoltaic generator.

This SSR is specifically designed for telecom applications. PVT312L employs an active current-limiting circuitry enabling it to withstand current surge transients.

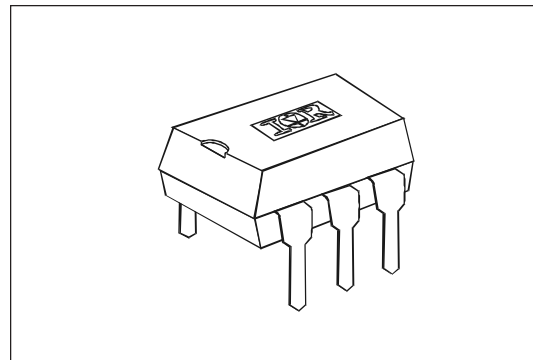
PVT312 Relays are packaged in a 6-pin, molded DIP package with either thru-hole or surface mount ("gull-wing") terminals. It is available in standard plastic shipping tubes or on tape-and-reel. Please refer to the Part Identification information opposite.

Applications

- On/Off Hook switch
- Dial-Out relay
- Ring injection relay
- Ground start
- General switching

Features

- HEXFET Power MOSFET output
- Bounce-free operation
- 4,000 V_{RMS} I/O isolation
- Load current limiting
- Linear AC/DC operation
- Solid-State Reliability
- UL recognized and BABT certified
- ESD Tolerance:
 - 4000V Human Body Model
 - 500V Machine Model



Part Identification

PVT312L	current limit, thru-hole
PVT312LS	current limit, surface-mount
PVT312LS-T	current limit, surface-mount, tape and reel
PVT312	no current limit, thru-hole
PVT312S	no current limit, surface-mount
PVT312S-T	no current limit, surface-mount, tape and reel

(HEXFET is the registered trademark for International Rectifier Power MOSFETs)

Series PVT312

International
 Rectifier

Electrical Specifications (-40°C ≤ T_A ≤ +85°C unless otherwise specified)

INPUT CHARACTERISTICS	Part Numbers		Units
	PVT312L	PVT312	
Minimum Control Current (see figures 1 and 2)	2.0		mA
Maximum Control Current for Off-State Resistance @ T _A =+25°C	0.4		mA
Control Current Range (Caution: current limit input LED, see figure 6)	2.0 to 25		mA
Maximum Reverse Voltage	7.0		V

OUTPUT CHARACTERISTICS	PVT312L		PVT312	Units
	A	B	C	
Operating Voltage Range	0 to ±250			V _(DC or AC peak)
Maximum Load Current @ T _A =+40°C, 5mA Control (see figures 1 and 2)				mA (AC or DC)
A Connection	170		190	
B Connection	190		210	
C Connection	300		320	
Maximum On-State Resistance @T _A =+25°C for 50mA pulsed load 5mA Control (see figure 4)				Ω
A Connection	15		10	
B Connection	8		5.5	
C Connection	4.25		3	
Maximum Off-State Leakage @T _A =+25°C, ±250V (see figure 5)	1.0			μA
Current Limit @T _A =+25°C, 5mA Control Connection:	A	C		
Minimum	190	330	n/a	mA
Maximum	300	560	n/a	mA
Maximum Turn-On Time @T _A =+25°C (see figure 7) for 50mA, 100 V _{DC} load, 5mA Control	3.0			ms
Maximum Turn-Off Time @T _A =+25°C (See Fig. 6) For 50mA, 100 V _{DC} load, 5mA Control	0.5			ms
Maximum Output Capacitance @ 50V _{DC}	50			pF

GENERAL CHARACTERISTICS	ALL MODELS		Units
Minimum Dielectric Strength, Input-Output	4000		V _{RMS}
Minimum Insulation Resistance, Input-Output @T _A =+25°C, 50%RH, 100V _{DC}	10 ¹²		Ω
Maximum Capacitance, Input-Output	1.0		pF
Maximum Pin Soldering Temperature (10 seconds maximum)	+260		°C
Ambient Temperature Range:	Operating	-40 to +85	°C
	Storage	-40 to +100	

International Rectifier does not recommend the use of this product in aerospace, avionics, military or life support applications. Users of this International Rectifier product in such applications assume all risks of such use and indemnify International Rectifier against all damages resulting from such use.

Connection Diagrams

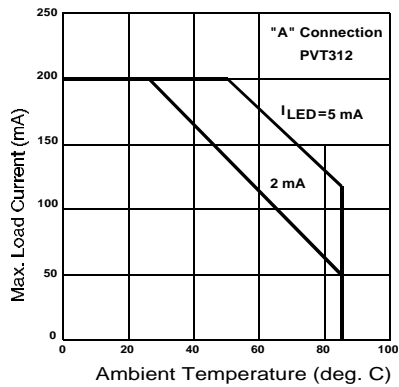
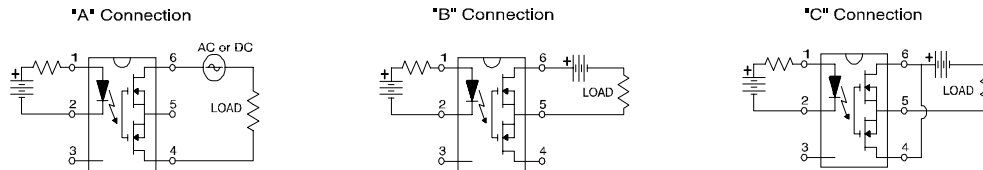


Figure 1. Typical Current Derating Curves

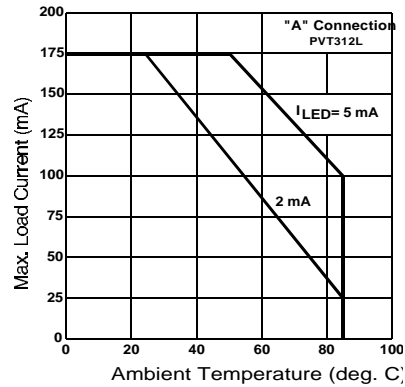


Figure 2. Typical Current Derating Curves

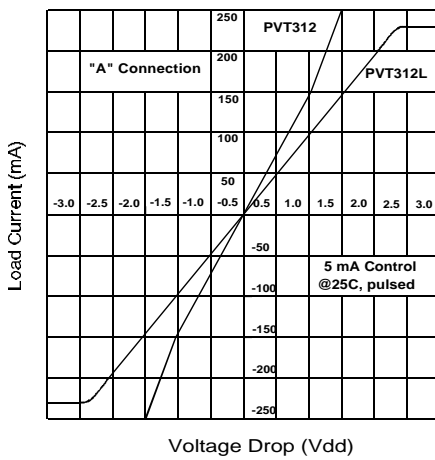


Figure 3. Linearity Characteristics

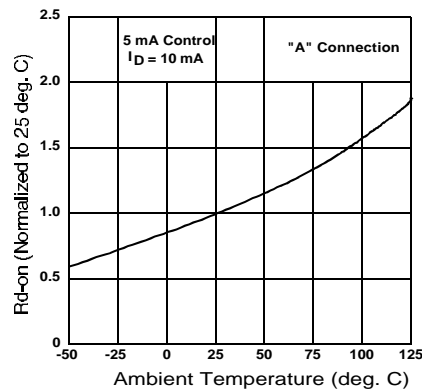


Figure 4. Typical Normalized On-Resistance

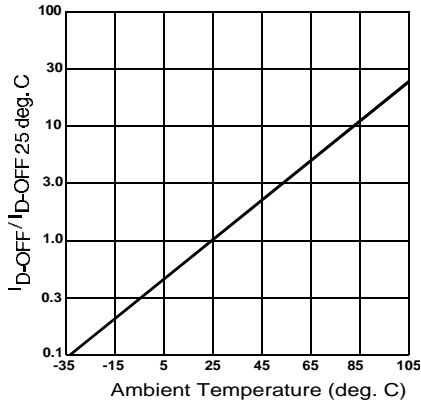


Figure 5. Typical Normalized Off-State Leakage

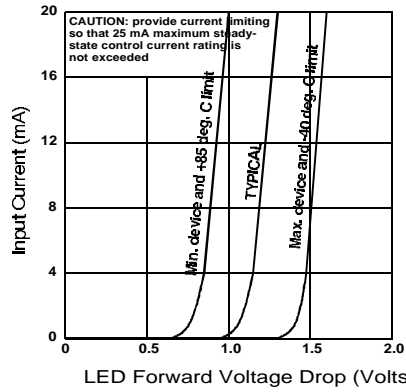


Figure 6. Input Characteristics (Current Controlled)

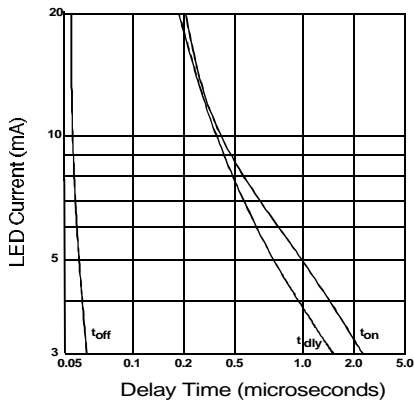


Figure 7. Typical Delay Times

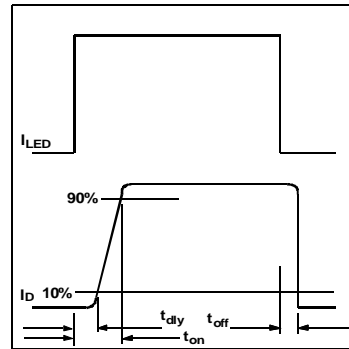


Figure 8. Delay Time Definitions

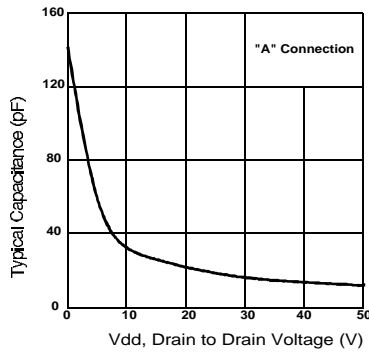
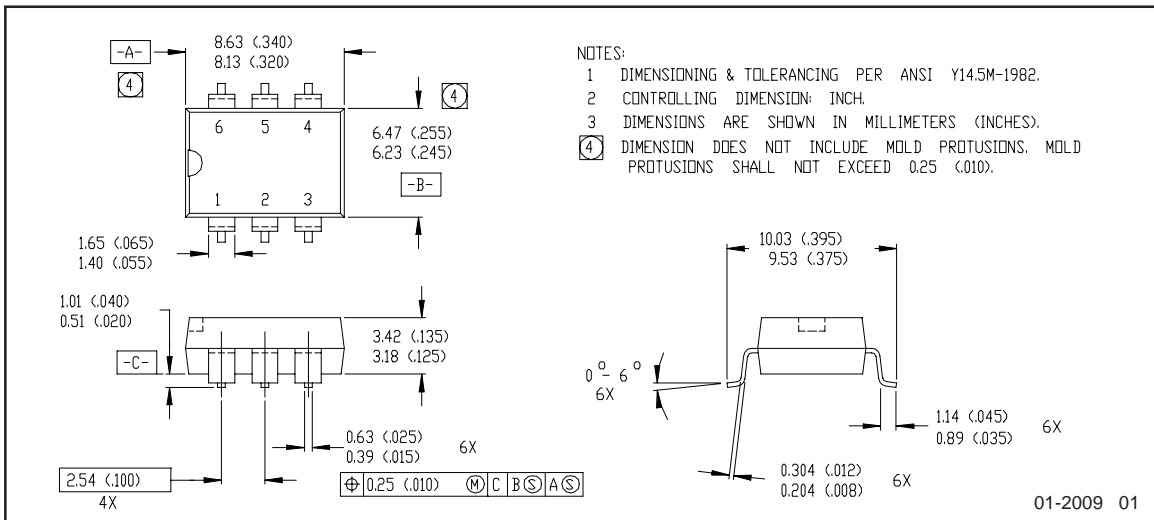
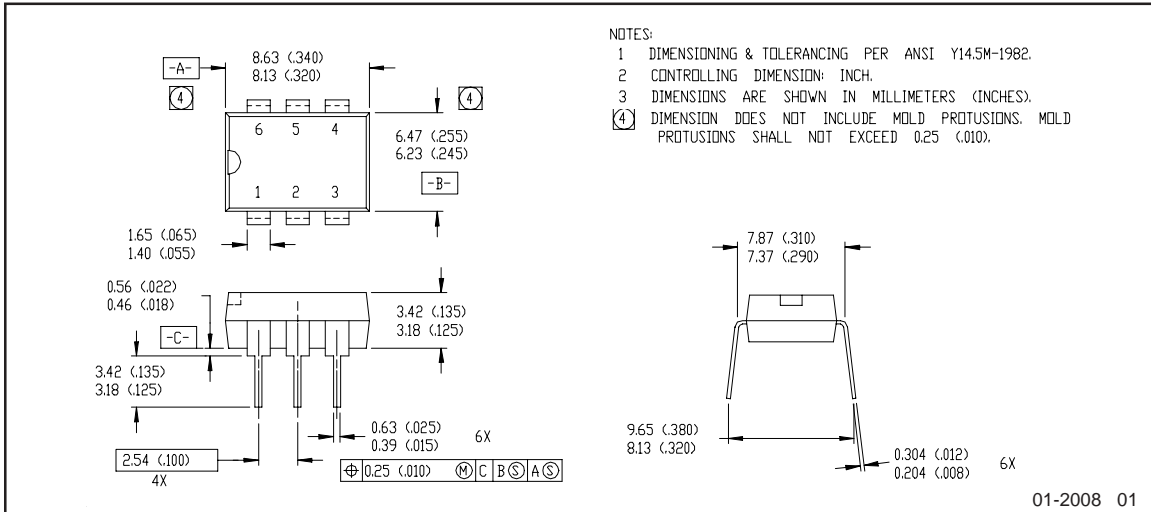


Figure 9. Typical Output Capacitance

Case Outlines



International
IR Rectifier
IR WORLD HEADQUARTERS: 233 Kansas St., El Segundo, California 90245 Tel: (310) 252-7105
 Data and specifications subject to change without notice. 10/17/2003