

Features

- Dual SMD package with transmit and receive transformer
- Low height of only 8.6 mm
- Wide operating temperature: -40 °C to +85 °C
- Matched to leading transceiver ICs

- Lead free version available (see How to Order)
- Lead free versions are RoHS compliant*

Applications

- Telecom

PT66002 - T1 Transformer

Electrical Specifications @ 25 °C

Turns Ratio $\pm 2\%$
 III : I + II 1:1.15 CT*
 III(CT*) : IV + V 1 CT*:1 CT*
 OCL (mH min.) 350
 Interwinding Capacitance C_{ww} (pF)
 between I + II and III < 60
 between IV + V and III (CT*) < 50
 Leakage Inductance L_s (μ H max.) 0.8
 HIPOT 50 Hz for 2 sec. (V_{rms})
 III to I + II and III (CT*) to IV + V .. 1500
 DCR III, III(CT*) (Ω max.) 1
 DCR I + II (Ω max.) 1.2
 DCR IV + V (Ω max.) 2
 Operating Temperature (°C) -40 to +85

*CT: Center tap

Other OCL specifications available on request.

Packaging Specifications

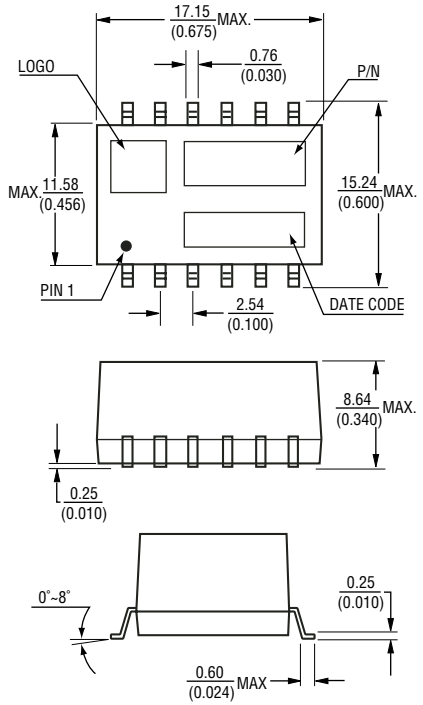
Tube 30 pcs./tube

How to Order

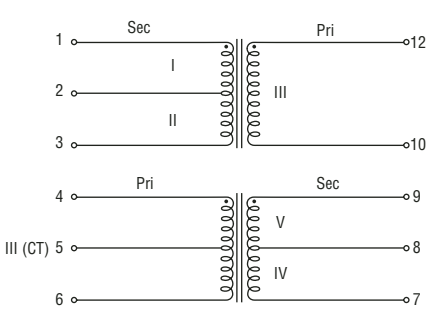
Model PT66002

Termination _____
 Blank = Tin-lead
 L = Tin only (lead free)

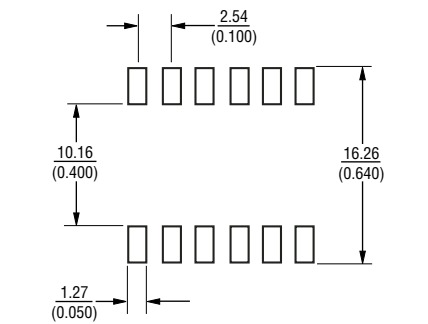
Product Dimensions



Electrical Schematic



Recommended Layout



DIMENSIONS ARE: $\frac{\text{MM}}{\text{(INCHES)}}$