

Product Features

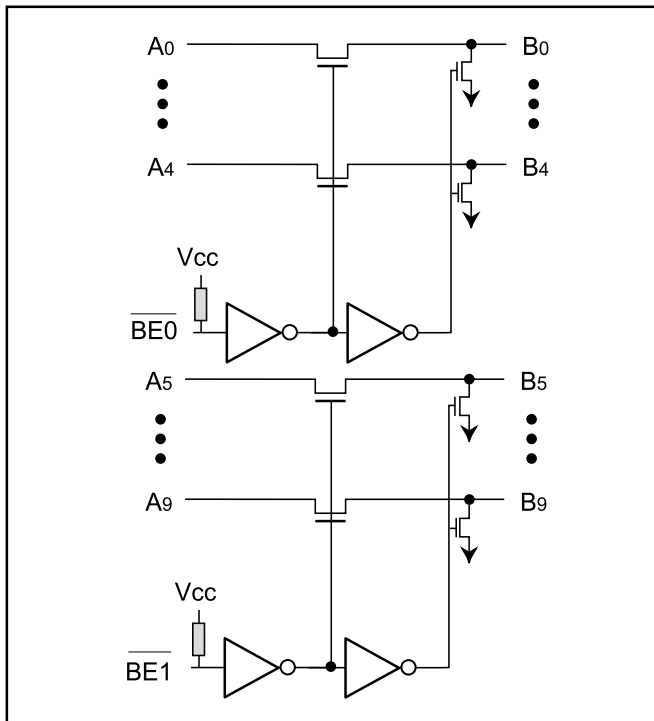
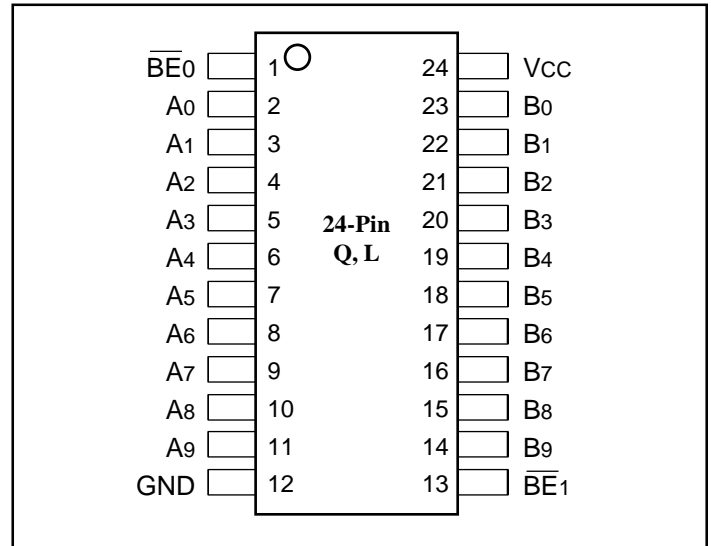
- Used in X4 DDR modules
- Near zero propagation delay
- 20 Ohm switches connect inputs to outputs
- Fast Switching Speed –3ns (max.)
- Low Off Capacitance (3pF)
- Pull-down on B output
- Pull-up on Switch Enable
- Packages available:
 - 24-pin 150 mil wide plastic QSOP (Q)
 - 24-pin 173 mil wide plastic TSSOP (L)

Product Description

Pericom Semiconductor’s PI2B series of logic circuits are produced using the Company’s advanced submicron CMOS technology, achieving industry leading performance.

The PI2BV3877 is a 10-bit, 2.5 volt two-port bus switch designed with a low ON resistance allowing inputs to be connected directly to outputs. The bus switch creates no additional propagational delay or additional ground bounce noise. The switches are turned ON by the Bus Enable (\overline{BE}_N) input signals.

The PI2BV3877 switch is intended for 266 MHz DDR(X4) Memory Module Applications.

Logic Block Diagram

Product Pin Configuration

Product Pin Description

Pin Name	Description
$\overline{BE}_0, \overline{BE}_1$	Bus Enable Input (Active LOW)
A0–9	Bus A
B0–9	Bus B
GND	Ground
VCC	Power

Truth Table⁽¹⁾

Function	\overline{BE}_0	A0–A4
Disconnect	H	Hi-Z
Connect	L	B0–4

Function	\overline{BE}_1	A5–A9
Disconnect	H	Hi-Z
Connect	L	B5–B9

Notes: 1. H = High Voltage Level
L = Low Voltage Level
Hi-Z = High Impedance

Maximum Ratings

(Above which the useful life may be impaired. For user guidelines, not tested.)

Storage Temperature	-65°C to +150°C
Ambient Temperature with Power Applied	-40°C to +85°C
Supply Voltage to Ground Potential (Inputs & V _{CC} Only)	-0.5V to +4.6V
Supply Voltage to Ground Potential (Outputs & D/O Only)	-0.5V to +4.6V
DC Input Voltage	-0.5V to +4.6V
DC Output Current	120mA
Power Dissipation	0.5W

Note:

Stresses greater than those listed under MAXIMUM RATINGS may cause permanent damage to the device. This is a stress rating only and functional operation of the device at these or any other conditions above those indicated in the operational sections of this specification is not implied. Exposure to absolute maximum rating conditions for extended periods may affect reliability.

DC Electrical Characteristics (Over the Operating Range, T_A = 0°C to +85°C, V_{CC} = 2.3V to 2.7V)

Parameters	Description	Test Conditions ⁽¹⁾	Min.	Typ. ⁽²⁾	Max.	Units
V _{IH}	Input HIGH Voltage (BE0, BE1)	Guaranteed Logic HIGH Level	1.6		V _{CC} +0.3	V
V _{IL}	Input LOW Voltage (BE0, BE1)	Guaranteed Logic LOW Level	-0.3		0.9	
I _{OZH}	High Impedance Output Current	B@2.5V			250	μA
V _{IK}	Clamp Diode Voltage	V _{CC} = Min., I _{IN} = -18mA			-1.2	V
R _{ON}	Switch On Resistance ⁽⁴⁾	V _{CC} = Min., V _{IN} = 0.9V, I _{ON} = 20mA		17	33	Ω
		V _{CC} = Min., V _{IN} = 1.6V, I _{ON} = 15mA		22	30	
R _{PU}	Pull-up Resistance		115	150	200	

Capacitance (T_A = 25°C, f = 1 MHz)

Parameters ⁽⁴⁾	Description	Test Conditions	Typ.	Units
C _{IN}	Input Capacitance	V _{IN} = 0V	3	pF
C _{OFF}	A Capacitance, Switch Off	V _{IN} = 0V	3	
C _{ON(A/B)}	A/B Capacitance, Switch On	V _{IN} = 0V	7	

Notes:

- For Max. or Min. conditions, use appropriate value specified under Electrical Characteristics for the applicable device type.
- Typical values are at V_{CC} = 2.5V, T_A = 25°C ambient and maximum loading.
- Measured by the voltage drop between A and B pin at indicated current through the switch.
ON resistance is determined by the lower of the voltages on the two (A,B) pins.
- This parameter is determined by device characterization but is not production tested.

Power Supply Characteristics

Parameters	Description	Test Conditions ⁽¹⁾	Min.	Typ. ⁽²⁾	Max.	Units
I _{CC}	Quiescent Power Supply Current	V _{CC} = Max.				
		V _{IN} = V _{CC}		-	10	μA
		V _{IN} = GND		-	56	mA

Notes:

- For Max. or Min. conditions, use appropriate value specified under Electrical Characteristics for the applicable device.
- Typical values are at V_{CC} = 2.5V, +25°C ambient.
- Per TTL driven input (control input only); A and B pins do not contribute to I_{CC}.

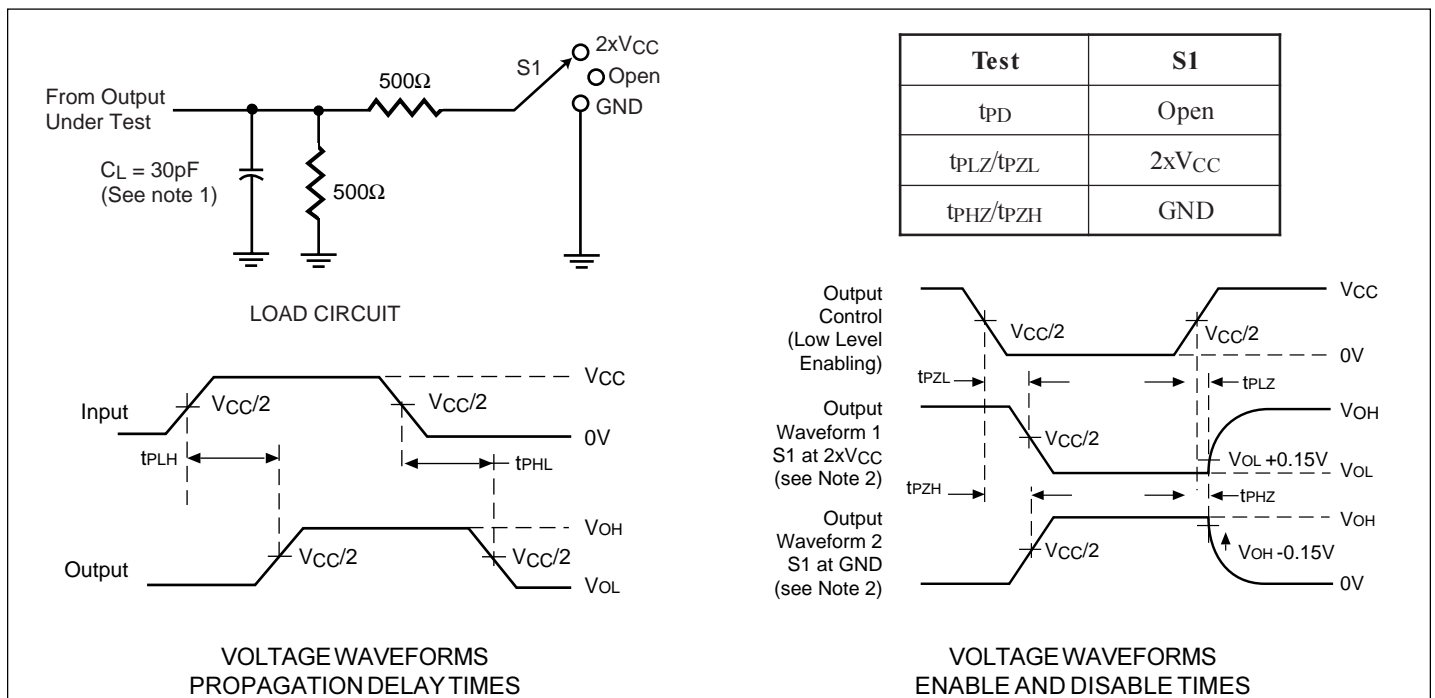
Switching Characteristics over Operating Range

Parameters	Description	Conditions ^(2,3)	PI2BV3877		Units
			Com.		
			Min.	Max.	
t _{PLH} t _{PHL}	Propagation Delay ^(2,3) Ax to Bx, Bx to Ax	C _L = 30pF, R _L = 500Ω, R = 500Ω		1	ns
t _{PZH} t _{PZL}	Bus Enable Time BE to Ax or Bx		1	3	
			1	3.5	
t _{PHZ} t _{PLZ}	Bus Disable Time BE to Ax or Bx		1	3	
			1	3.8	

Notes:

- See test circuit and waveforms.
- This parameter is guaranteed but not tested on Propagation Delays.
- The bus switch contributes no propagational delay other than the RC delay of the ON resistance of the switch and the load capacitance. The time constant for the switch alone is of the order of 1ns for 50pF load. Since this time constant is much smaller than the rise/fall times of typical driving signals, it adds very little propagational delay to the system. Propagational delay of the bus switch when used in a system is determined by the driving circuit on the driving side of the switch and its interaction with the load on the driven side.

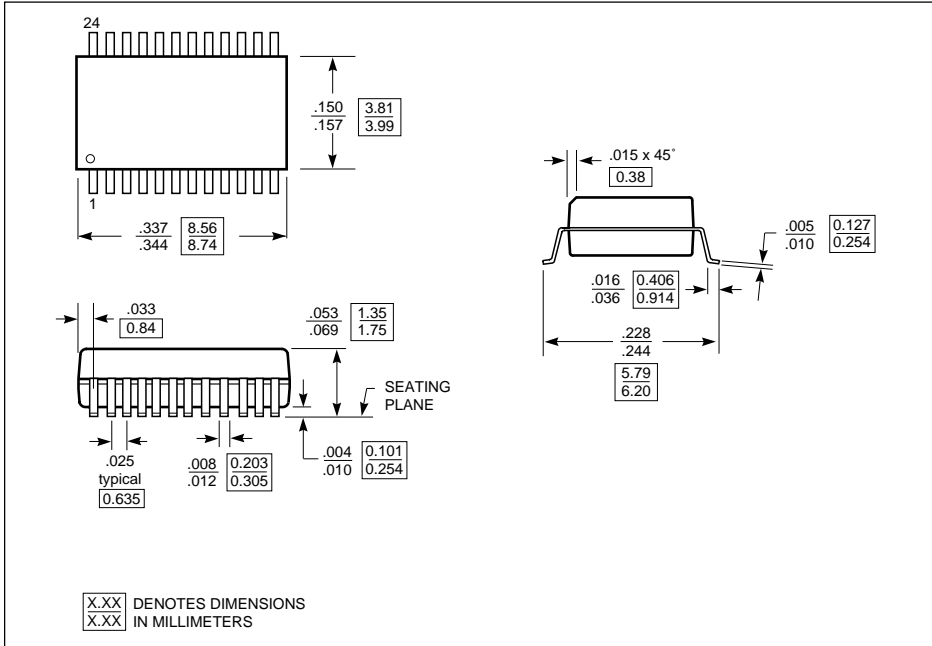
Parameter Measurements



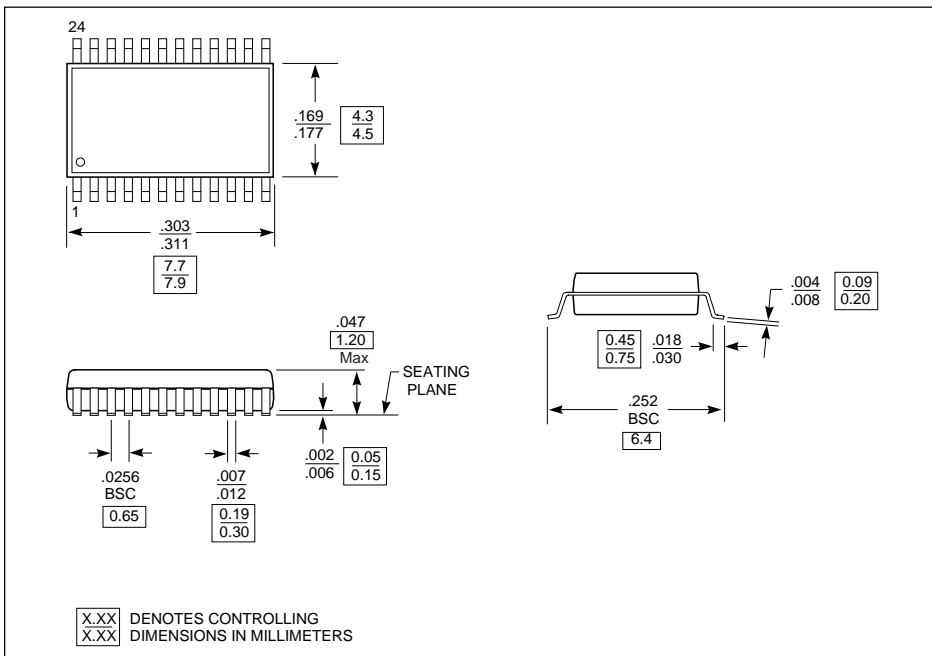
Notes:

- C_L includes probe and jig capacitance.
- Waveform 1 is for an output with internal conditions such that the output is LOW except when disabled by the output control. Waveform 2 is for an output with internal conditions such that the output is HIGH except when disabled by the output control.
- All input pulses are supplied by generators having the following characteristics: PRR < 10MHz, Z_O = 50Ω, t_r ≤ 2ns, t_f ≤ 2ns.
- The outputs are measured one at a time with one transition per measurement.
- t_{PLZ} and t_{PHZ} are the same as t_{DIS}.
- t_{PZL} and t_{PZH} are the same as t_{EN}.
- t_{PLH} and t_{PHL} are the same as t_{PD}.

24-pin QSOP (Q)



24-pin TSSOP (L)



Ordering Information

Part	Pin-Package	Temperature
PI2BV3877Q	24 - QSOP(Q)	0°C to +85°C
PI2BV3877L	24 - TSSOP(L)	