

MD SERIES PEN3-XXXXZ2:1 1.5 KV ISOLATED 2 - 3 W REGULATED DUAL OUTPUT DIP24

Other specifications please enquire.

Electrical Specifications

(Typical at + 25° C, nominal input voltage, rated output current unless otherwise specified)

Input Specifications

Voltage range 9-18, 18-36, 36-72 VDC Wide Input

Filter Pi Network

Isolation Specifications

Rated voltage 1500 Vdc

 Resistance 10^9 Ohm

Capacitance 390 pF typ.

Output Specifications

Voltage accuracy +/- 1 % typ. +/-2% max.

Ripple and noise (at 20 MHz BW) 60 mV p-p max.

Short circuit protection Continuous , restart automatic

Line voltage regulation +/- 0,5 % max.

Load voltage regulation +/- 0,5 % max.

Temperature coefficient +/- 0,02 % / °C

General Specifications

Efficiency 75 % to 80 %

Switching frequency 260 KHz. Typ.

Environmental Specifications

Operating temperature (ambient) -40°C to +85°C

Storage temperature - 55 °C to + 125 °C

Derating See graph

Humidity Up to 90 % , non condensing

Cooling Free air convection

Physical Characteristics

Dimensions 31,75 x 20,32 x 10,16 mm

1,25 x 0,80 x 0,40 inches

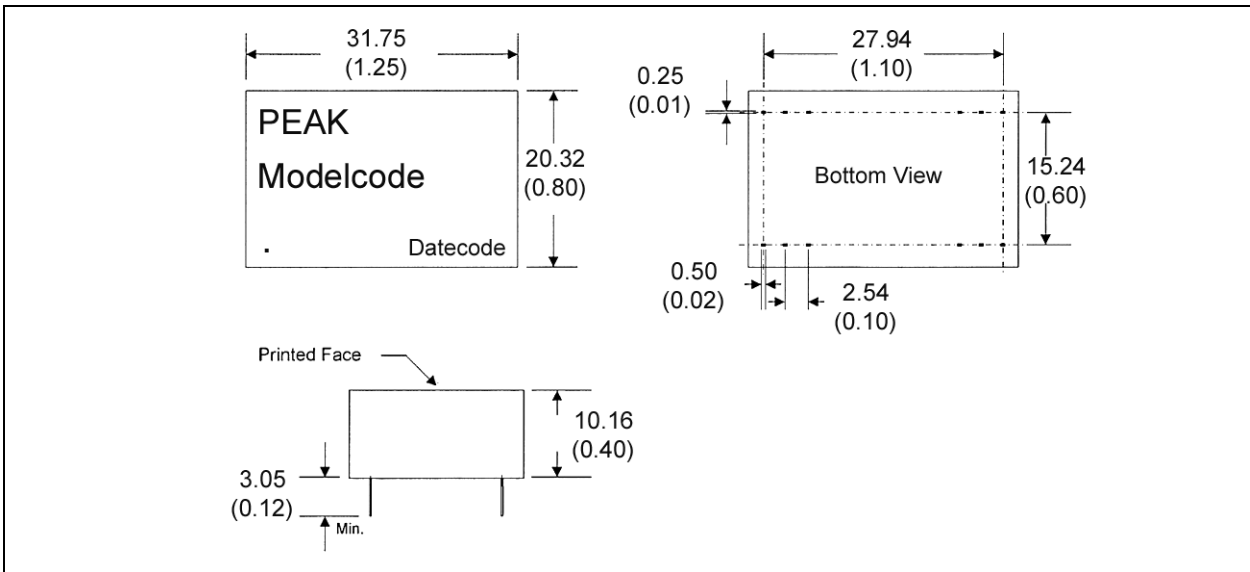
Weight 19,0 g

Case material Non conductive black plastic

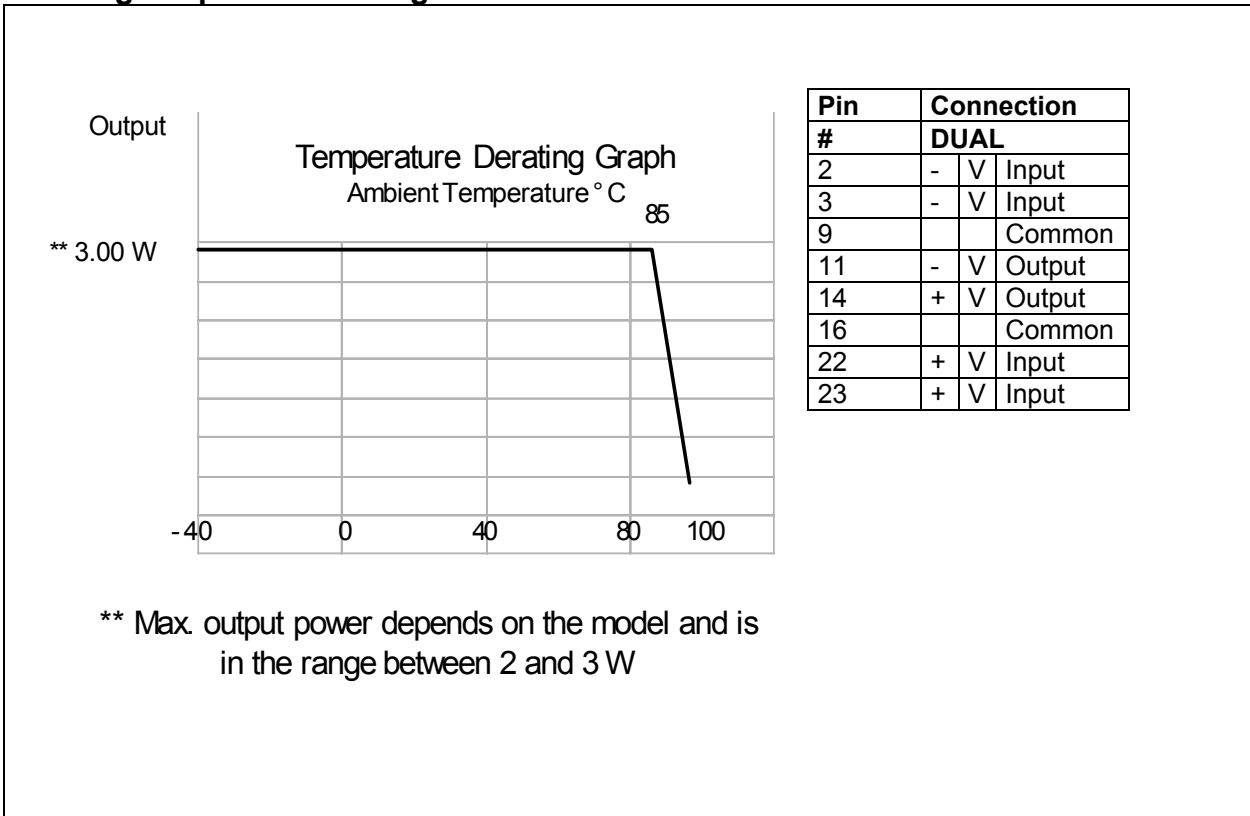
Examples of Partnumbers/Modelcode

PART NO.	INPUT VOLTAGE (VDC) Nominal	INPUT CURRENT NO LOAD	INPUT CURRENT FULL LOAD	OUTPUT VOLTAGE (VDC)	OUTPUT CURRENT (max. mA)	EFFICIENCY FULL LOAD (% TYP.)
PEN3-1205Z2:1	9 - 18	18	277	+/- 5	+/- 250	75
PEN3-1212Z2:1	9 - 18	18	312	+/- 12	+/- 125	80
PEN3-1215Z2:1	9 - 18	18	312	+/- 15	+/- 100	80
PEN3-2405Z2:1	18 - 36	9	133	+/- 5	+/- 250	78
PEN3-2412Z2:1	18 - 36	9	156	+/- 12	+/- 125	80
PEN3-2415Z2:1	18 - 36	9	156	+/- 15	+/- 100	80
PEN3-4805Z2:1	36 - 72	6	66	+/- 5	+/- 250	78
PEN3-4812Z2:1	36 - 72	6	78	+/- 12	+/- 125	80
PEN3-4815Z2:1	36 - 72	6	78	+/- 15	+/- 100	80

Dimensions



Derating Graph and Pinning



Specification can be changed without notice.

Copyright PEAK electronics GmbH