



VOICE SYNTHESIZER

GENERAL DESCRIPTION

The PCF8200 is a CMOS integrated circuit for generating good quality speech from digital code with a programmable bit rate. The circuit is primarily intended for applications in microprocessor controlled systems, where the speech code is stored separately.

Applications include automotive, telephony, personal computers, annunciators, aids for the handicapped, and general industrial devices.

Features

- Male and female speech with good quality
- Speech-band from 0 to 5 kHz
- Bit-rate between 455 bits/second and 4545 bits/second
- Programmable frame duration
- Programmable speaking speed
- CMOS technology
- Operating temperature range -40 to $+85$ °C
- Single 5 V supply with low power consumption and power-down stand-by mode
- Interfaces easily with most popular microcomputers and microprocessors through 8 bit parallel bus or I²C bus
- Software readable status word (parallel bus or I²C bus)
- BUSY-signal and \overline{REQ} -signal hardware readable
- Internal low-pass filter and 11-bit D/A converter

QUICK REFERENCE DATA

parameter	symbol	min.	typ.	max.	unit
Supply voltage	V _{DD}	—	5	—	V
Supply current	I _{DD}	—	12	#	mA
Supply current (stand-by)	I _{DD(SB)}	—	1	—	μA
Inputs					
Input voltage	V _{IH}	2,0	—	V _{DD}	V
Input voltage	V _{IL}	0	—	0,8	V
Input capacitance	C _I	—	7	—	pF
Outputs (D5 to D7)					
Output voltage high	V _{OH}	3,5	—	V _{DD}	V
Output voltage low	V _{OL}	0	—	0,4	V
Load capacitance	C _L	—	—	80	pF
Operating ambient temperature range	T _{amb}	-40	—	+85	°C

Value not yet available.

PACKAGE OUTLINE

24-lead DIL; plastic (SOT101A).

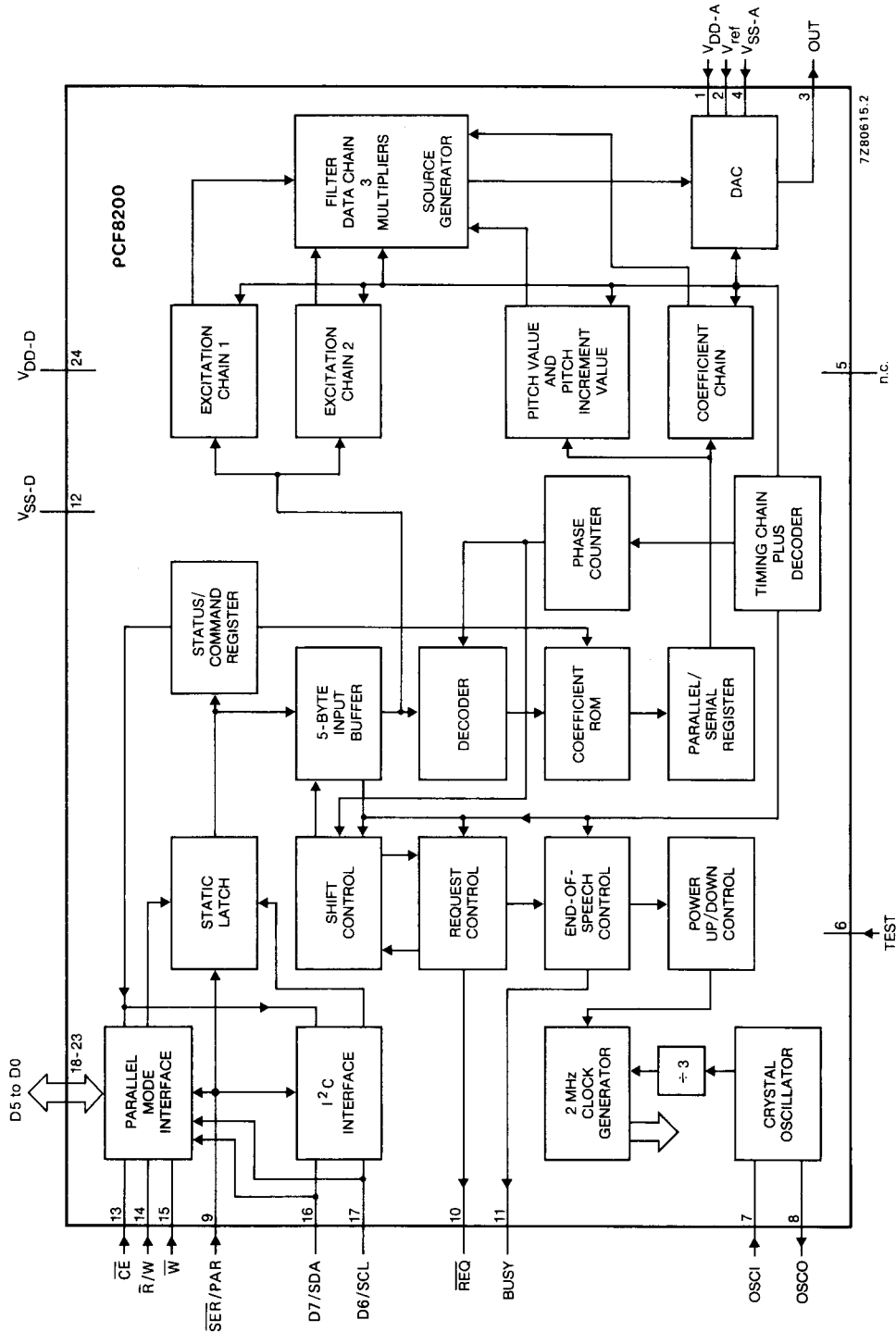


Fig. 1 Block diagram.

PINNING

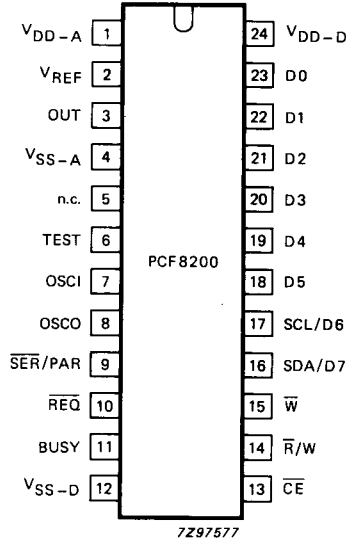


Fig. 2 Pinning diagram.

DEVELOPMENT DATA	1	V _{DD-A}	positive supply voltage for DAC output stage
	2	V _{REF}	DAC reference voltage input
	3	OUT	speech output
	4	V _{SS-A}	negative supply voltage for DAC stage
	5	n.c.	not connected
	6	TEST	for normal operation this pin must be grounded (V _{SS})
	7	OSCI	oscillator input
	8	OSCO	oscillator output
	9	SER/PAR	for parallel data bus operation this pin is hard-wired to V _{DD} , or to V _{SS} to enable the I ² C bus
	10	REQ	status bit indicating request for data
	11	BUSY	status indicating synthesizer busy
	12	V _{SS-D}	negative supply voltage for digital circuits
	13	CE	chip-enable input
	14	R/W	read/write control input
	15	W	write input
	16	SDA/D7	I ² C bus serial data input/output (serial mode) or parallel data input/output D7 (parallel mode)
	17	SCL/D6	I ² C bus serial clock input/output (serial mode) or parallel data input/output D6 (parallel mode)
	18	D5	} parallel data input/outputs
	19	D4	
	20	D3	
	21	D2	
	22	D1	
	23	D0	
	24	V _{DD-D}	positive supply voltage for digital circuits

FUNCTIONAL DESCRIPTION

The synthesizer has been designed for a vocal tract modelling technique of voice synthesis. An excitation signal is fed to a series of resonators. Each resonator simulates one of the formants in the original speech. It is controlled by two parameters, one for the resonant frequency and one for the bandwidth. Five formants are needed for male speech and four for female speech. The output of this system is defined by the excitation signal, the amplitude values and the resonator settings. By periodic updating of all parameters very high quality speech can be produced.

OPERATION

Speech characteristics change quite slowly, therefore the control parameters for the speech synthesizer can be adequately updated every few tens of milliseconds with interpolation during the interval to ensure a smooth changeover from one parameter value to the next. In the PCF8200 the standard-frame duration can be set to 8,8 , 10,4, 12,8 or 17,6 milliseconds with the speed-option, speaking speed, in the command-register.

The duration of each individual speech frame is programmable to be 1, 2, 3 or 5 times the standard-frame duration.

	10	01	00	11	FS0, FS1
00	8,8	10,4	12,8	17,6	ms
01	17,6	20,8	25,6	35,2	ms
10	26,4	31,2	38,4	52,8	ms
11	44,0	52,0	64,0	88,0	ms

FD1, FDO

Table 1. Frame duration as a function of speed-option (FS1, FS0) and frame-duration (FD1, FDO).

The excitation signal is a random noise source for unvoiced sounds and a programmable pulse generator for voiced sounds. Both sources have an amplitude modulator which is updated 8 times in one speech-frame by linear interpolation. The pitch is updated every 1/8 of a standard frame.

The excitation signal is filtered with a five formant filter for male speech and a four formant filter for female speech. The formant filter is a cascade of all second-order sections. The control parameters, formant-frequency and formant-bandwidth, are updated eight times per speech frame by linear interpolation. A block diagram of the formant synthesizer is shown in Fig. 3.

The filter output is upsampled to 80 kHz and filtered with a digital low-pass filter. Before the signal is digital to analogue converted (DAC), with an 11-bit switched capacitor DAC, the signal is multiplied with a DAC-amplitude factor. The use of a digital filter means that no external audio filtering is required for low-medium applications and minimal filtering is required for those applications requiring very high quality speech.

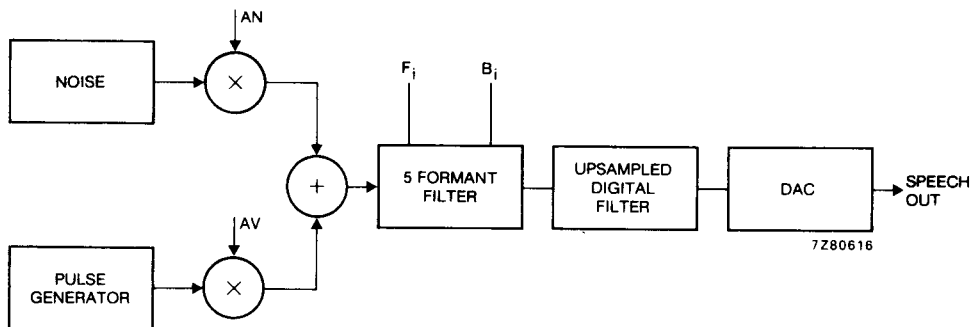


Fig. 3 Block diagram of formant synthesizer.

DATA FORMAT

Three types of format are used for data transfer to the synthesizer.

DAC-amplitude factor

The DAC-amplitude factor is one byte, which is used to optimize the digital speech signal to the 11-bit DAC. It is the first byte after a STOP or a BADSTOP or V_{DD} on. Table 2 indicates the amplitude factor.

byte	factor	dB
01110000	3,5	10,88
10110000	3,25	10,24
00110000	3,0	9,54
11010000	2,75	8,97
01010000	2,5	7,96
10010000	2,25	7,04
00010000	2,0	6,02
11100000	1,75	4,86
01100000	1,5	3,52
10100000	1,25	1,94
00100000	1,0	0,00
11000000	0,75	-2,50
01000000	0,5	-6,02
10000000	0,25	-12,04
00000000	0,0	
11110000	HEX code F0 is not allowed as a DAC amplitude	

Table 2 DAC amplitude factor.

Start pitch

The second byte after a STOP or BADSTOP, or V_{DD} on is the start pitch. It is a one byte start value for the on-chip pitch-period generator.

Frame Data

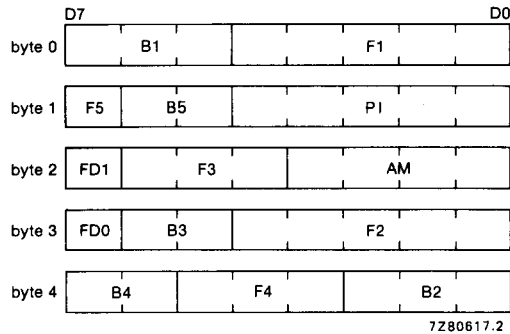
The frame data is a five byte block which contains the filter and source information:

pitch increment/decrement value	5 bits
amplitude	4 bits
frame duration	2 bits
frequency of 1st formant	5 bits
frequency of 2nd formant	5 bits
frequency of 3rd formant	3 bits
frequency of 4th formant	3 bits
frequency of 5th formant	1 bit
bandwidth of 1st formant	3 bits
bandwidth of 2nd formant	3 bits
bandwidth of 3rd formant	2 bits
bandwidth of 4th formant	2 bits
bandwidth of 5th formant	2 bits

40 bits = 5 bytes

The frame-data bits are organized as shown in Fig. 4.

DEVELOPMENT DATA



It is not allowed to set byte 0 to the hexadecimal value 00.

Fig. 4 Format of frame-date.

CONTROL FORMAT

Command Write

A command write consists of two bytes, and it may occur before a data block. The four bits which can be written are shown in Fig. 5.

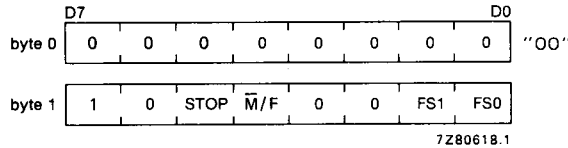


Fig. 5 Control write: first byte fixed, second byte control.

FS0, FS1 speed option

FS1	FS0	speech speed	standard-frame duration
0	0	100%	12,8 ms
0	1	145%	8,8 ms
1	0	123%	10,4 ms
1	1	73%	17,6 ms

M/F, male/female option

- M/F = 0 male quantization table
- M/F = 1 female quantization table

STOP

- STOP = 1 stop; repeat last complete frame with amplitude = 0 (no excitation signal)
- = 0 if the frame data is not sent within the duration of a half frame, there will be a BADSTOP:

1. \overline{REQ} = 1 STOP = 0
2. Repeat last frame with amplitude = 0
3. BUSY = 0

Status Read

Three status bits can be read out at any time without a preceding byte (00). This is shown in Fig. 6.

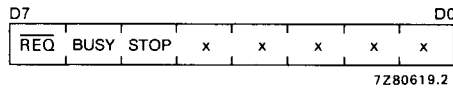


Fig. 6 Status read.

- \overline{REQ} = 1 No data required
 = 0 Synthesizer requesting for new data
 BUSY = 1 Busy (an utterance is pronounced)
 = 0 Idle, \overline{REQ} will set to 1; the synthesizer is in STOP or BADSTOP mode
 STOP The STOP bit is the same as the stop bit written to the synthesizer during a command write.
 STOP = 1, BUSY = 0 stopped by the user.
 STOP = 0, BUSY = 0 BADSTOP because the data was not sent in time.

DEVELOPMENT DATA

After initial power-up the status/command register is set to the following status:

- FS0, FS1 = 0 Standard-frame duration of 12,8 ms
 $\overline{M/F}$ = 0 Male quantization table
 STOP = 0
 BUSY = 0 Idle
 \overline{REQ} = 1 No data required

INTERFACE PROTOCOL

Data can be written to the synthesizer when $\overline{REQ} = 0$ or, when $\overline{REQ} = 1$ and BUSY = 0. Figure 7 shows the interface protocol of the synthesizer.

In parallel mode the synthesizer is activated by sending the DAC-amplitude factor. In serial mode the DAC-amplitude factor can be sent as soon as the synthesizer is powered-up.

The I²C transmitter/receiver will then acknowledge. When the request for the pitch-byte occurs the byte must be provided within the duration of a half standard frame. If the byte is not provided in time a BADSTOP will be generated.

During each data write operation, the status bit \overline{REQ} will be set to '1'.

Within a frame data block, it disappears within a few microseconds, asking for the next byte of that block. If the bytes of frame data are not provided within the time-duration of a half frame, a BADSTOP will be generated.

I²C ADDRESS

On chip there is a I²C slave receiver/transmitter with the address:

```

7 6 5 4 3 2 1 0
0 0 1 0 0 0 0 R/W
  
```

POWER UP

The synthesizer will be set to power-up on a parallel-write sequence.

- PAR-mode: The input-latches are active so they can receive the first byte
 SER-mode: The I²C transmitter/receiver will not acknowledge until the synthesizer has powered-up. To power up the synthesizer a parallel write sequence (Fig. 9) must be made to the synthesizer by using external logic for the control lines; at least one line must be toggled, \overline{CE} , while $\overline{W} = 0$ and $\overline{R}/W = 1$.
 The synthesizer can be set to permanent power-up by hard-wired control pins ($CE = 0$, $\overline{R}/W = 1$, $\overline{W} = 0$).

POWER DOWN MODE

When $BUSY = 0$ the synthesizer will be set to power-down. In the power-down mode the status/command register will be retained.

In power-down mode the clock-oscillator is switched off. After initial V_{DD} the synthesizer is in power-down mode.

HANDLING

All inputs and outputs are protected against electrostatic charge under normal handling conditions.

RATINGS

Limiting values in accordance with the Absolute Maximum System (IEC 134)

parameter	conditions	symbol	min.	max.	unit
Supply voltage	any pin with respect to V_{SS}	V_{DD}	-0,3	7,5	V
Input voltage	any pin with respect to V_{SS}	V_I	-0,3	7,5	V
Output voltage	any pin with respect to V_{SS}	V_O	-0,3	7,5	V
D.C. input diode current	$V_I < V_{SS}$	$-I_{IK}$	-	20	mA
	$V_I > V_{DD}$	I_{IK}	-	20	mA
D.C. output diode current	$V_O < V_{SS}$	$-I_{OK}$	-	20	mA
	$V_O > V_{DD}$	I_{OK}	-	20	mA
Operating ambient temperature range		T_{amb}	-40	85	°C
Storage temperature range		T_{stg}	-55	125	°C

CHARACTERISTICS

$T_{amb} = -45$ to $+85$ °C; supply voltage (V_{DD} to V_{SS}) = 4,5 to 5,5 V with respect to V_{SS} , unless otherwise specified

DEVELOPMENT DATA

parameter	symbol	min.	typ.	max.	unit
Supply					
Supply voltage	V_{DD}	4,5	5,0	5,5	V
Supply current	I_{DD}	—	10	—	mA
Standby current	$I_{DD}(SB)$	—	200	—	μA
Inputs					
\overline{CE}, $\overline{R/W}$, \overline{W}					
Input voltage HIGH	V_{IH}	2,0	—	V_{DD}	V
Input voltage LOW	V_{IL}	0	—	0,8	V
Input leakage current $V_{in} = 0$ to 5,5 V	I_{IR}	-10	—	10	μA
Rise and fall times (note 2)	t_{rf}	—	—	50	ns
Input capacitance	C_I	—	—	7	pF
OSCI					
Input voltage HIGH	V_{IH}	2,2	—	V_{DD}	V
Input voltage LOW	V_{IL}	0	—	0,8	V
Input leakage current $V_{in} = 0$ to 5,5 V	I_{IR}	-10	—	10	μA
Rise and fall times (note 2)	t_{rf}	—	—	50	ns
Input capacitance	C_I	—	—	7	pF
PARALLEL MODE					
Input Characteristics (D0 to D7)					
Input voltage HIGH	V_{IH}	2,0	—	V_{DD}	V
Input voltage LOW	V_{IL}	0	—	0,8	V
Input leakage current ($V_{in} = 0$ to 5,5 V, output off)	I_{IR}	-10	—	10	μA
Input capacitance	C_I	—	—	7	pF
Output Characteristics (D5 to D7 only)					
Output voltage HIGH ($I_{OH} = -100$ μA)	V_{OH}	3,5	—	V_{DD}	V
Output voltage LOW ($I_{OL} = 3,2$ mA)	V_{OL}	0	—	0,4	V
Load capacitance	C_L	—	—	80	pF
Rise and fall times (note 3)	t_{rf}	—	—	50	ns
SERIAL MODE					
Input characteristics (SDA and SDL)					
Input voltage HIGH	V_{IH}	3,0	—	V_{DD}	V
Input voltage LOW	V_{IL}	0	—	1,5	V
Input leakage current ($V_{in} = 0$ to 5,5 V, output off)	I_{IR}	-10	—	10	μA
Input capacitance	C_I	—	—	10	pF

parameter	symbol	min.	typ.	max.	unit
Output Characteristics (SDA only, open drain)					
Output voltage LOW ($I_{OL} = 3 \text{ mA}$)	V_{OL}	0	—	0,4	V
OSCILLATOR					
Crystal frequency	f_{XTAL}	—	6	6,1	MHz
V_{REF}					
Reference voltage	V_{REF}	1,9	—	$\frac{V_{DD}-1,5}{1,25}$	V
Input leakage current (active)	I_{IR}	—	5	—	μA
Outputs					
REQ, BUSY					
Output voltage HIGH ($I_{OH} = 100 \mu\text{A}$)	V_{OH}	3,5	—	V_{DD}	V
Output voltage LOW ($I_{OL} = 3,2 \text{ mA}$)	V_{OL}	0	—	0,4	V
Load capacitance	C_L	—	—	80	pF
Rise and fall times (note 3)	t_{rf}	—	—	50	ns
OUT					
Output voltage	V_{OUT}	$0,66 \times V_{REF}$	—	$1,34 \times V_{REF}$	V
Minimum external load		600	—	—	Ω
Timing characteristics (note 1) (Figs 8 and 9)					
Write enable	t_{WR}	200	—	—	ns
Data set-up for write	t_{DS}	150	—	—	ns
Data hold for write	t_{DH}	30	—	—	ns
Read enable	t_{RD}	200	—	—	ns
Data delay for read (note 2)	t_{DD}	—	—	150	ns
Data floating for read (note 2)	t_{DF}	—	—	150	ns
Control set-up	t_{CS}	0	—	—	ns
Control hold	t_{CH}	0	—	—	ns
REQ new (new byte of the same speech frame)	t_{RN}	—	# (≈ 3)	—	μs
REQ Valid	t_{RV}	0	—	—	ns
REQ Hold	t_{RH}	—	250	#	ns

NOTES TO THE CHARACTERISTICS

1. Timing reference level is 1,5 V; supply 5 V \pm 10%; temperature range of $-40 \text{ }^\circ\text{C}$ to $85 \text{ }^\circ\text{C}$.
2. Levels greater than 2 V for a '1' or less than 0,8 V for a '0' are reached with a load of one TTL input and 50 pF.
3. Rise and fall times between 0,6 V and 2,2 V levels.

Values not yet available.

DEVELOPMENT DATA

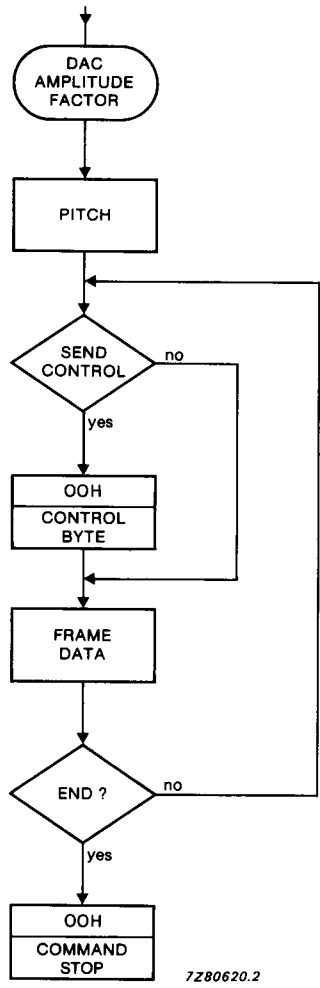
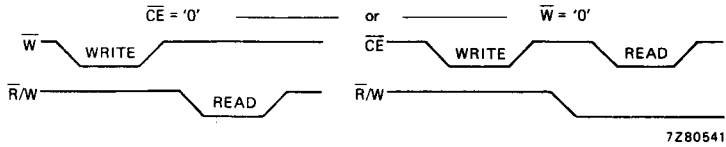


Fig. 7 Interface protocol.

Timing diagrams

The control signals \overline{CE} , $\overline{R/W}$ and \overline{W} have been specified to enable easy interface to most microprocessors and microcomputers. For instance with connection to an MAB8048 microcomputer the $\overline{R/W}$ and \overline{W} inputs can be used as the RD and WR strobe inputs.



Typical connection of control signals.

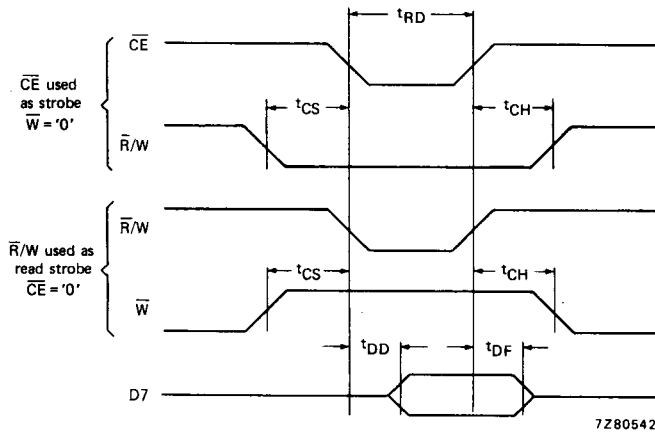


Fig. 8 Read timing.

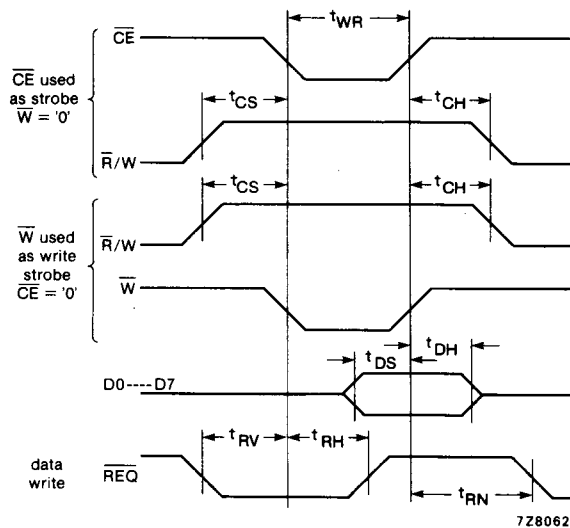


Fig. 9 Write timing.

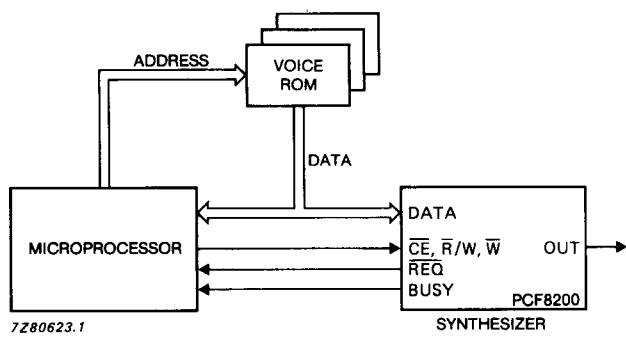


Fig. 10 Typical application configuration with parallel interface.

DEVELOPMENT DATA

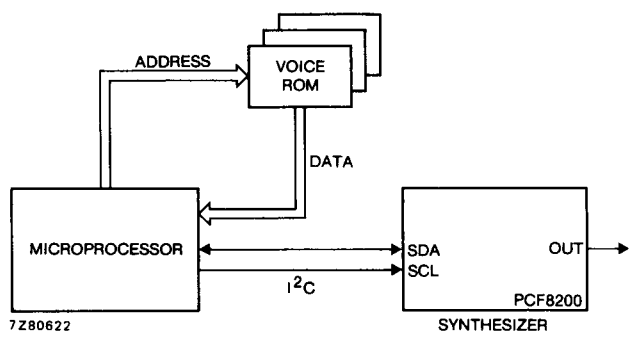


Fig. 11 Typical application configuration with series interface.

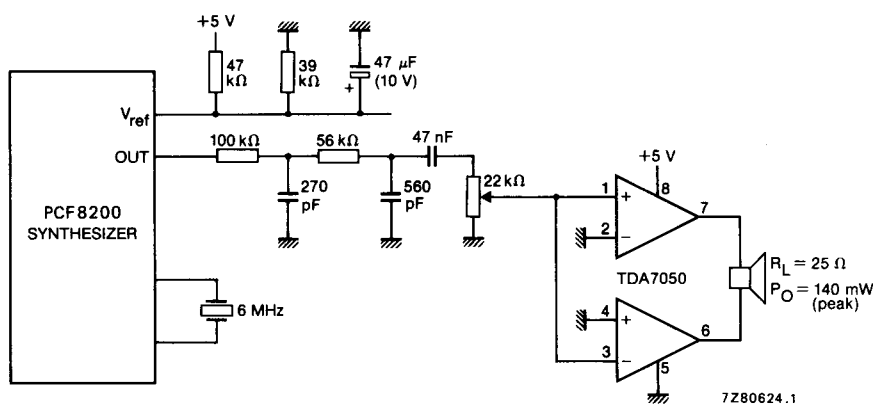


Fig. 12 An example of an output configuration.

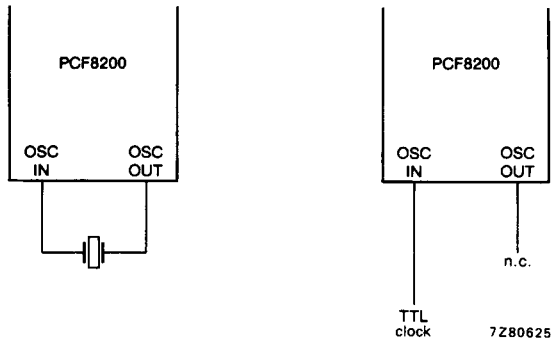


Fig. 13 Oscillator clock configurations.



Purchase of Philips' I²C components conveys a license under the Philips' I²C patent to use the components in the I²C-system provided the system conforms to the I²C specifications defined by Philips.