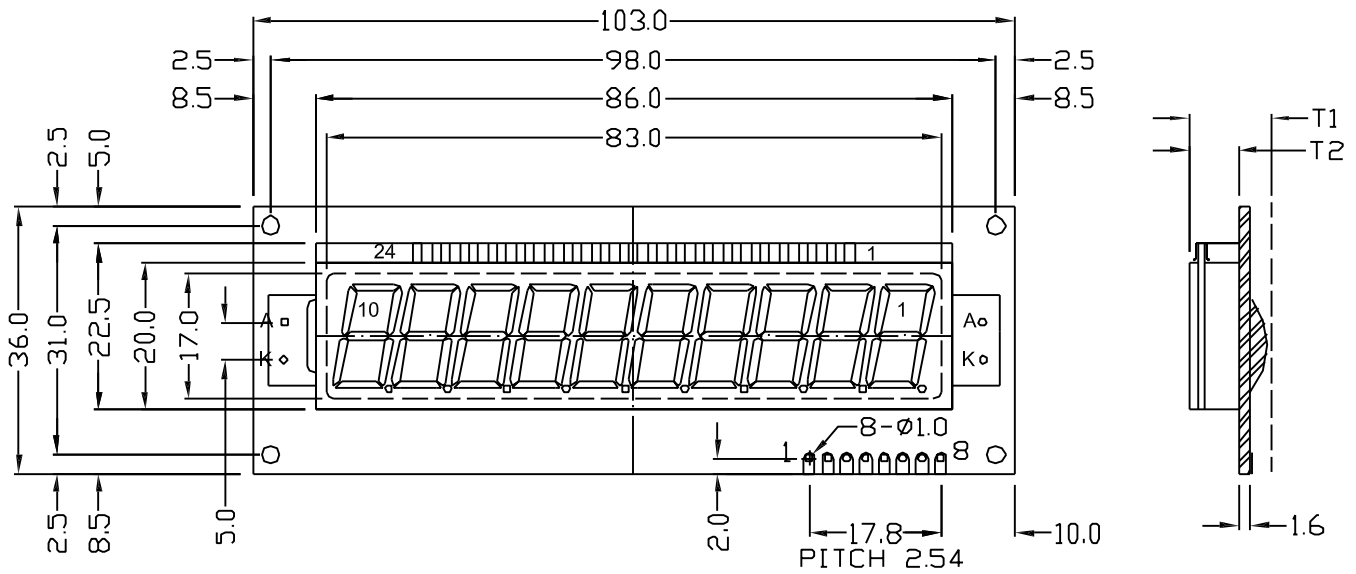


OD-M801

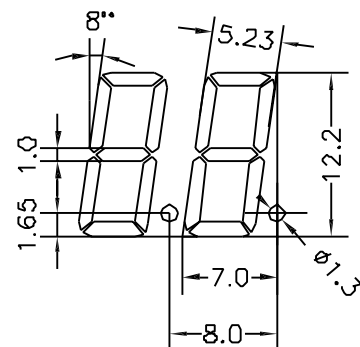
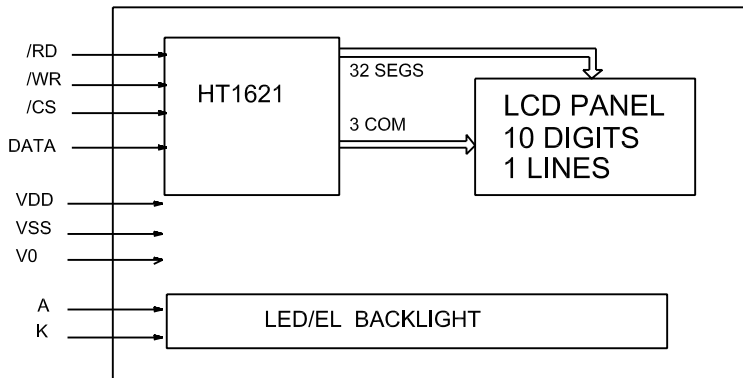


* FOR LED BACKLIGHT

T1=11.0MAX T2=7.0±0.3

* FOR EL OR NO BACKLIGHT

T1=6.5MAX T2=3.5±0.3



ABSOLUTE MAXIMUM RATING				
ITEM	SYMBOL	MIN	MAX	UNIT
POWER SUPPLY(LOGIC)	VDD-VSS	-0.3	7.0	V
POWER SUPPLY(LCD DRV.)	VDD-V0	-0.3	13.5	V
INPUT VOLTAGE	V _i	-0.3	VDD	V

ELECTRICAL CHARACTERISTICS(VDD=5.0±0.25V, 25°C)					
ITEM	SYMBOL	MIN	TYP	MAX	UNIT
VOLTAGE FOR LOGIC	VDD-VSS	4.75	5.0	5.25	V
SUPPLY CURRENT	I _{DD}	-	1.3	2.2	mA
VOLTAGE FOR LCD	VDD-V0	4.7	4.9	5.1	V
INPUT VOLTAGE	H V _{iH}	2.2	-	VDD	V
	L V _{iL}	-0.3	-	0.6	V
OUTPUT VOLTAGE	H V _{oH}	2.4	-	-	V
	L V _{oL}	-	-	0.4	V

MECHANICAL SPECIFICATIONS		
ITEM	SPECIFICATION	UNIT
OVERALL SIZE	103.0W x 36.0H x 11.0T(6.5T)	MM
VIEWING AREA	83.0W x 17.0H	MM
DIGITS	10 DIGITS x 1 LINES	
DIGIT SIZE	7.0W x 12.2H	MM
CHARACTER PITCH	8.0W x 12.2H	MM

PINS ASSIGNMENT		
NO.	SYMBOL	DESCRIPTION
1	CS	CHIP SELECTION
2	/RD	READ FROM HT1621
3	/WR	WRITE TO HT1621
4	DATA	SERIAL DATA INPUT/OUTPUT
5	VSS	POWER SUPPLY, GROUND
6	VDD	POWER SUPPLY, 5.0V
7	IRQ	WDT OVERFLOW FLAG
8	BZ	TONE FREQUENCY OUTPUT

OPTIONS	
1.	LCD TYPE: TN
2.	BACKLIGHT: WITHOUT BACKLIGHT; LED;
3.	COLOR OF BACKLIGHT: Y/G;
4.	TEMPERATURE RANGE: NORMAL(0--50C) EXTENDED(-20--70C)
5.	POWER SUPPLY: 5.0V; 3.0V
6.	VIEWING ANGLE: 6H; 12H