

# NLAS4783B

## Triple SPDT 1.0 $\Omega$ $R_{ON}$ Switch

The NLAS4783B is a triple independent low  $R_{ON}$  SPDT analog switch with ENABLE. This device is designed for low operating voltage, high current switching of speaker output for cell phone applications. It can switch a balanced stereo output. The NLAS4783B can handle a balanced microphone/speaker/ring-tone generator in a monophone mode. The device contains a break-before-make feature.

### Features

- Single Supply Operation  
1.65 to 4.5 V  $V_{CC}$   
Function Directly from LiON Battery
- Tiny 3 x 3 mm 16-Pin QFN Package  
Meets JEDEC MO-220 Specifications
- Low Static Power
- OVT on Logic Address and Enable Inputs
- This is a Pb-Free Device\*

### Typical Applications

- Cell Phone Speaker/Microphone Switching
- Ringtone-Chip/Amplifier Switching
- Three Unbalanced (Single-Ended) Switches
- Stereo Balanced (Push-Pull) Switching

### Important Information

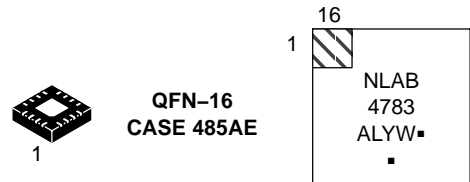
- ESD Protection:  
Human Body Model (HBM) > 8000 V  
Machine Model (MM) > 400 V
- Ringtone-Chip/Amplifier Switching
- Continuous Current Rating Through each Switch  $\pm 300$  mA
- Conforms to: JEDEC MO-220, Issue H, Variation VEED-6
- Pin-for-Pin Compatible with MAX4783



ON Semiconductor®

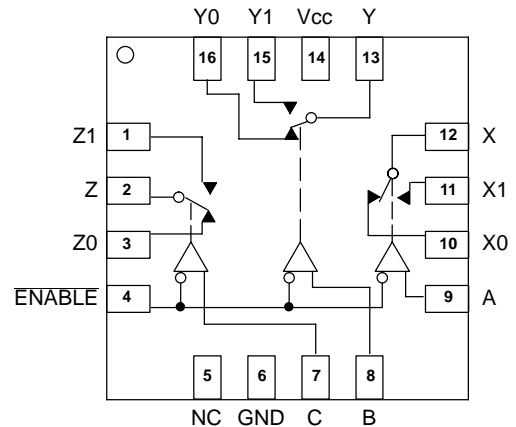
<http://onsemi.com>

### MARKING DIAGRAM



A = Assembly Location  
L = Wafer Lot  
Y = Year  
W = Work Week  
▪ = Pb-Free Package  
(Note: Microdot may be in either location)

### PIN CONNECTIONS



### ORDERING INFORMATION

See detailed ordering and shipping information in the package dimensions section on page 9 of this data sheet.

\*For additional information on our Pb-Free strategy and soldering details, please download the ON Semiconductor Soldering and Mounting Techniques Reference Manual, SOLDERRM/D.

# NLAS4783B

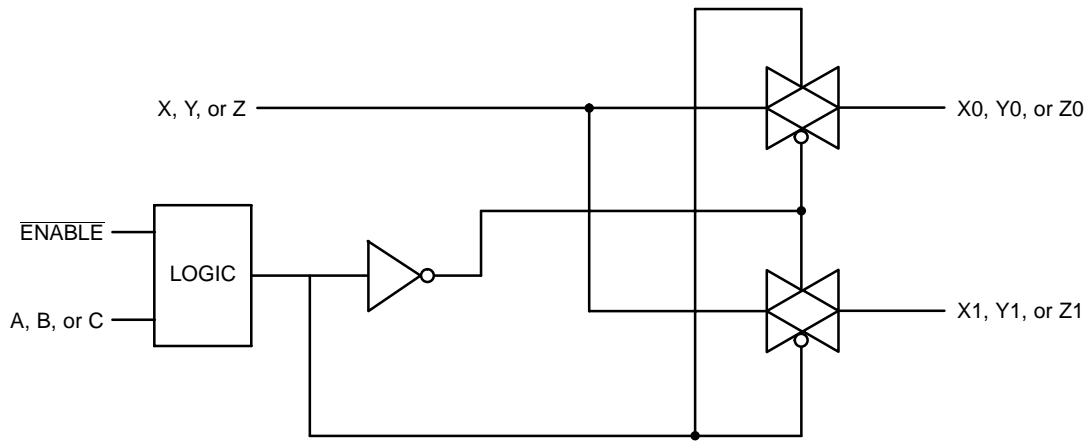


Figure 1. Input Equivalent Circuit

## PIN FUNCTION DESCRIPTION

QFN PIN #	Symbol	Description
15	Y1	Analog Switch Y Normally Open Input
16	Y0	Analog Switch Y Normally Closed Input
1	Z1	Analog Switch Z Normally Open Input
2	Z	Analog Switch Z Output
3	Z0	Analog Switch Z Normally Closed Input
4	ENABLE	Digital Enable Input. Normally connect to GND. Drive to logic high to set all switches off.
5	NC	No Connection. Not internally connected.
6	GND	Ground
7	C	Digital Address C Input
8	B	Digital Address B Input
9	A	Digital Address A Input
10	X0	Analog Switch X Normally Closed Input
11	X1	Analog Switch X Normally Open Input
12	X	Analog Switch X Output
13	Y	Analog Switch Y Output
14	V <sub>CC</sub>	Positive Analog and Digital Supply Voltage Input

# NLAS4783B

## TRUTH TABLE/SWITCH PROGRAMMING

Enable Input	Select Input			
	C	B	A	
H	X	X	X	All Switches Open
L	L	L	L	X-X0 Y-Y0 Z-Z0
L	L	L	H	X-X1 Y-Y0 Z-Z0
L	L	H	L	X-X0 Y-Y1 Z-Z0
L	L	H	H	X-X1 Y-Y1 Z-Z0
L	H	L	L	X-X0 Y-Y0 Z-Z1
L	H	L	H	X-X1 Y-Y0 Z-Z1
L	H	H	L	X-X0 Y-Y1 Z-Z1
L	H	H	H	X-X1 Y-Y1 Z-Z1

1. Input and output pins are identical and interchangeable. Both pins can be considered input or output. Bidirectional signal pass.

## MAXIMUM RATINGS

Symbol	Parameter	Value	Unit
$V_{CC}$	Positive DC Supply Voltage	- 0.5 to + 5.5	V
$V_{IS}$	Analog Input Voltage ( $V_{NO}$ , $V_{NC}$ , or $V_{COM}$ )	- 0.5 to $V_{CC}$	V
$V_{IN}$	Digital Select Input Voltage	- 0.5 to + 5.5	V
$I_{an1}$	Continuous DC Current from COM to NC/NO	$\pm 300$	mA
$I_{an1-pk 1}$	Peak Current from COM to NC/NO, 10 Duty Cycles (Note 2)	$\pm 500$	mA
$I_{clmp}$	Continuous DC Current into COM/NC/NO with Respect to $V_{CC}$ or GND	$\pm 100$	mA

Stresses exceeding Maximum Ratings may damage the device. Maximum Ratings are stress ratings only. Functional operation above the Recommended Operating Conditions is not implied. Extended exposure to stresses above the Recommended Operating Conditions may affect device reliability.

2. Defined as 10% ON, 90% off duty cycle.

## RECOMMENDED OPERATING CONDITIONS

Symbol	Parameter	Min	Max	Unit
$V_{CC}$	Positive DC Supply Voltage	1.65	4.5	V
$V_{IS}$	Analog Input Voltage ( $V_{NO}$ , $V_{NC}$ , or $V_{COM}$ )	-	$V_{CC}$	V
$V_{IN}$	Digital Select Input Voltage	-	$V_{CC}$	V
$T_A$	Operating Temperature Range	- 40	85	°C
$t_r$ , $t_f$	Input Rise or Fall Time, SELECT	$V_{CC} = 1.6-2.7 V$ $V_{CC} = 3.0-4.5 V$	20 10	ns/V

# NLAS4783B

## DC CHARACTERISTICS – Digital Section (Voltages Referenced to GND)

Symbol	Parameter	Condition	V <sub>CC</sub>	Guaranteed Limit		Unit
				–40°C to 25°C	<85°C	
V <sub>IH</sub>	Minimum High-Level Input Voltage, Select Inputs		1.65	1.0	1.0	V
			2.7	1.4	1.4	
			3.6	1.8	1.8	
			4.3	2.2	2.2	
V <sub>IL</sub>	Maximum Low-Level Input Voltage, Select Inputs		1.65	0.4	0.4	V
			2.7	0.5	0.5	
			3.6	0.6	0.6	
			4.3	0.8	0.8	
I <sub>IN</sub>	Maximum Input Leakage Current, Select Inputs	V <sub>IN</sub> = 4.5 V or GND	4.3	± 0.1	± 1.0	μA
I <sub>OFF</sub>	Power Off Leakage Current	V <sub>IN</sub> = 4.5 V or GND	0	± 0.5	± 2.0	μA
I <sub>CC</sub>	Maximum Quiescent Supply Current (Note 3)	Select and V <sub>IS</sub> = V <sub>CC</sub> or GND	1.65 to 4.5	± 1.0	± 2.0	μA

## DC ELECTRICAL CHARACTERISTICS – Analog Section

Symbol	Parameter	Condition	V <sub>CC</sub>	Guaranteed Maximum Limit				Unit
				–40°C to 25°C		<85°C		
				Min	Max	Min	Max	
R <sub>ON</sub>	NC/NO On-Resistance (Note 3)	V <sub>IN</sub> ≤ V <sub>IL</sub> or V <sub>IN</sub> ≥ V <sub>IH</sub> V <sub>IS</sub> = GND to V <sub>CC</sub>  I <sub>IN</sub>   ≤ 100 mA	2.7 – 4.3		1.0		1.2	Ω
R <sub>FLAT</sub>	NC/NO On-Resistance Flatness (Notes 3, 5)	I <sub>COM</sub> = 100 mA V <sub>IS</sub> = 0 to V <sub>CC</sub>	2.7 – 4.3		0.2		0.2	Ω
ΔR <sub>ON</sub>	On-Resistance Match Between Channels (Notes 3 and 4)	V <sub>IS</sub> = 0.5 V <sub>CC</sub> ; I <sub>COM</sub> = 100 mA	2.7 – 4.3		0.4		0.6	Ω
I <sub>NC(OFF)</sub> I <sub>NO(OFF)</sub>	NC or NO Off Leakage Current (Note 3)	V <sub>IN</sub> = V <sub>IL</sub> or V <sub>IH</sub> V <sub>NO</sub> or V <sub>NC</sub> = 0.3 V V <sub>COM</sub> = 4.0 V	4.3	–10	10	–100	100	nA
I <sub>COM(ON)</sub>	COM ON Leakage Current (Note 3)	V <sub>IN</sub> = V <sub>IL</sub> or V <sub>IH</sub> V <sub>NO</sub> 0.3 V or 4.0 V with V <sub>NC</sub> floating or V <sub>NC</sub> 0.3 V or 4.0 V with V <sub>NO</sub> floating V <sub>COM</sub> = 0.3 V or 4.0 V	4.3	–10	10	–100	100	nA

3. Guaranteed by design. Resistance measurements do not include test circuit or package resistance.

4.  $\Delta R_{ON} = R_{ON(MAX)} - R_{ON(MIN)}$  between NC1 and NC2 or between NO1 and NO2.

5. Flatness is defined as the difference between the maximum and minimum value of on-resistance as measured over the specified analog signal ranges.

# NLAS4783B

## AC ELECTRICAL CHARACTERISTICS (Input $t_r = t_f = 3.0$ ns)

Symbol	Parameter	Test Conditions	$V_{CC}$ (V)	$V_{IS}$ (V)	Guaranteed Maximum Limit					Unit
					-40°C to 25°C			<85°C		
					Min	Typ*	Max	Min	Max	
$t_{ON}$	Turn-On Time	$R_L = 50 \Omega$ , $C_L = 35$ pF (Figures 3 and 4)	2.3 – 4.5	1.5			25		27	ns
$t_{OFF}$	Turn-Off Time	$R_L = 50 \Omega$ , $C_L = 35$ pF (Figures 3 and 4)	2.3 – 4.5	1.5			15		20	ns
$t_{BBM}$	Minimum Break-Before-Make Time	$V_{IS} = 3.0$ $R_L = 300 \Omega$ , $C_L = 35$ pF (Figure 2)	3.0	1.5	2.0	8.0				ns

		Typical @ 25, $V_{CC} = 4.5$ V		
$C_{IN}$	Control Pin Input Capacitance	5.0		pF
$C_{SN}$	SN Port Capacitance	75		pF
$C_D$	D Port Capacitance When Switch is Enabled	240		pF

\*Typical Characteristics are at 25°C.

## ADDITIONAL APPLICATION CHARACTERISTICS (Voltages Referenced to GND Unless Noted)

Symbol	Parameter	Condition	$V_{CC}$ (V)	25°C	Unit
				Typical	
BW	Maximum On-Channel -3dB Bandwidth or Minimum Frequency Response	$V_{IN}$ centered between $V_{CC}$ and GND (Figure 5)	1.65 – 4.5	17	MHz
$V_{ONL}$	Maximum Feed-through On Loss	$V_{IN} = 0$ dBm @ 100 kHz to 50 MHz $V_{IN}$ centered between $V_{CC}$ and GND (Figure 5)	1.65 – 4.5	-0.10	dB
$V_{ISO}$	Off-Channel Isolation	$f = 100$ kHz; $V_{IS} = 1$ V RMS; $C_L = 5$ nF $V_{IN}$ centered between $V_{CC}$ and GND (Figure 5) (Note 6)	1.65 – 4.5	-62	dB
Q	Charge Injection Select Input to Common I/O	$V_{IN} = V_{CC}$ to GND, $R_{IS} = 0 \Omega$ , $C_L = 1$ nF $Q = C_L \times \Delta V_{OUT}$ (Figure 6)	1.65 – 4.5	50	pC
THD	Total Harmonic Distortion THD + Noise	$F_{IS} = 20$ Hz to 20 kHz, $R_L = R_{gen} = 600 \Omega$ , $C_L = 50$ pF $V_{IS} = 2$ V RMS	4.5	0.008	%
VCT	Channel-to-Channel Crosstalk	$f = 100$ kHz; $V_{IS} = 1$ V RMS, $C_L = 5$ pF, $R_L = 50 \Omega$ $V_{IN}$ centered between $V_{CC}$ and GND (Figure 5)	1.65 – 4.5	-62	dB

6. Off-Channel Isolation =  $20 \log_{10} (V_{com}/V_{no})$ ,  $V_{com}$  = output,  $V_{no}$  = input to off switch.

# NLAS4783B

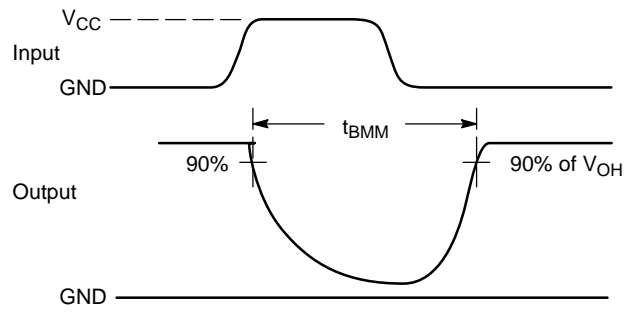
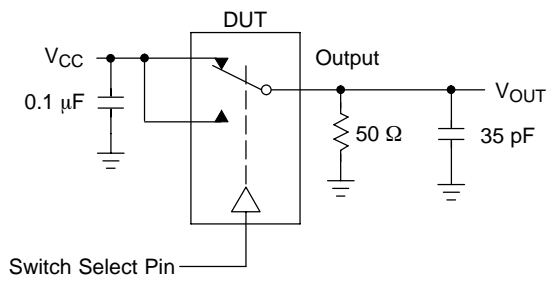


Figure 2.  $t_{BMM}$  (Time Break-Before-Make)

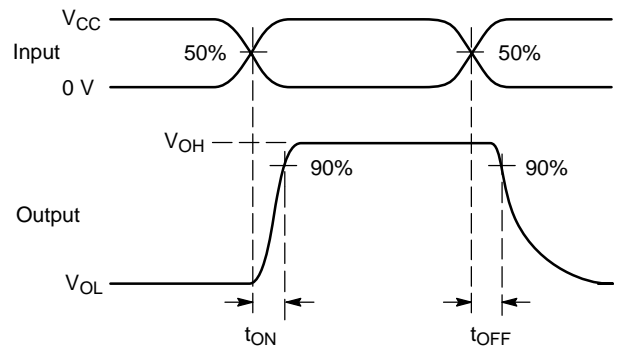
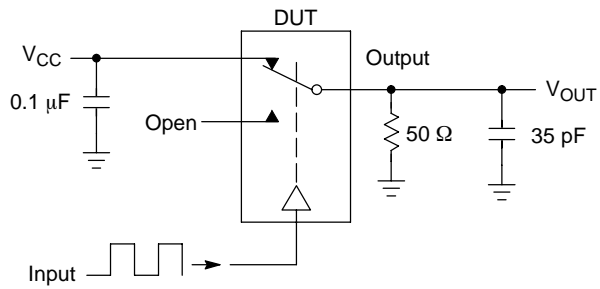


Figure 3.  $t_{ON}/t_{OFF}$

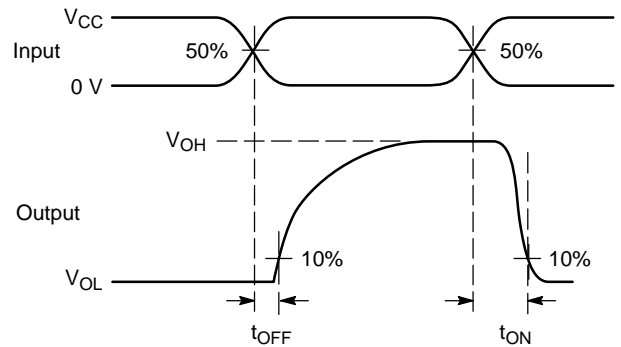
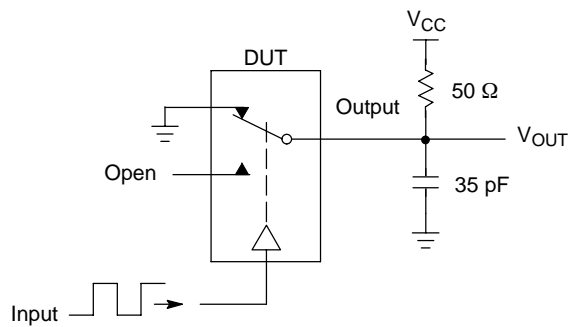
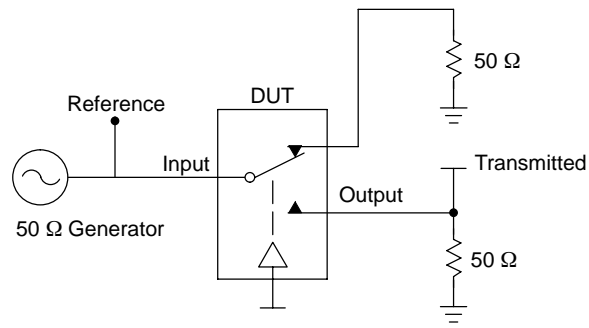


Figure 4.  $t_{ON}/t_{OFF}$

# NLAS4783B



Channel switch control/s test socket is normalized. Off isolation is measured across an off channel. On loss is the bandwidth of an On switch.  $V_{ISO}$ , Bandwidth and  $V_{ONL}$  are independent of the input signal direction.

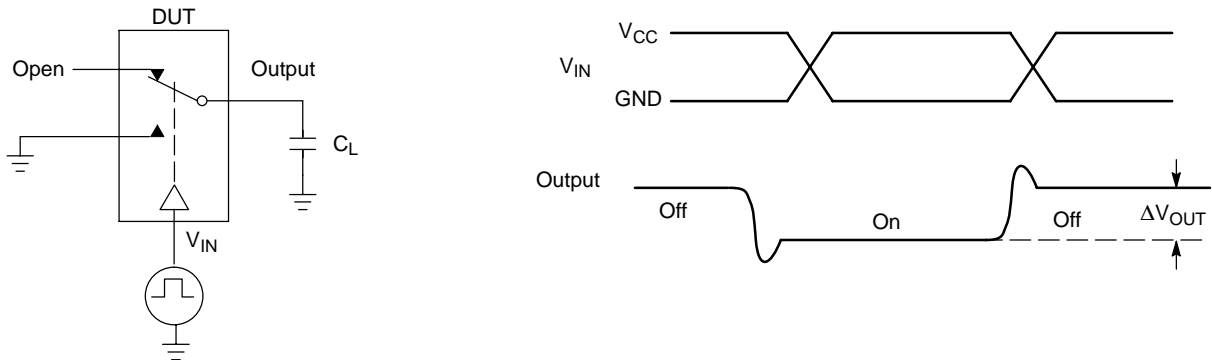
$$V_{ISO} = \text{Off Channel Isolation} = 20 \text{ Log} \left( \frac{V_{OUT}}{V_{IN}} \right) \text{ for } V_{IN} \text{ at } 100 \text{ kHz}$$

$$V_{ONL} = \text{On Channel Loss} = 20 \text{ Log} \left( \frac{V_{OUT}}{V_{IN}} \right) \text{ for } V_{IN} \text{ at } 100 \text{ kHz to } 50 \text{ MHz}$$

Bandwidth (BW) = the frequency 3 dB below  $V_{ONL}$

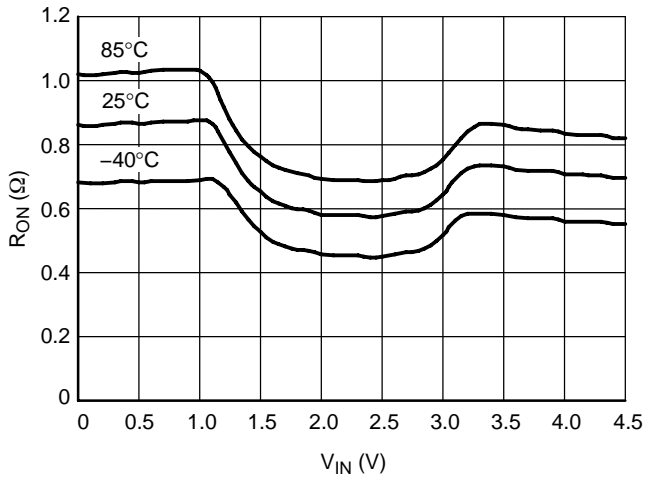
$V_{CT}$  = Use  $V_{ISO}$  setup and test to all other switch analog input/outputs terminated with 50  $\Omega$

**Figure 5. Off Channel Isolation/On Channel Loss (BW)/Crosstalk (On Channel to Off Channel)/ $V_{ONL}$**

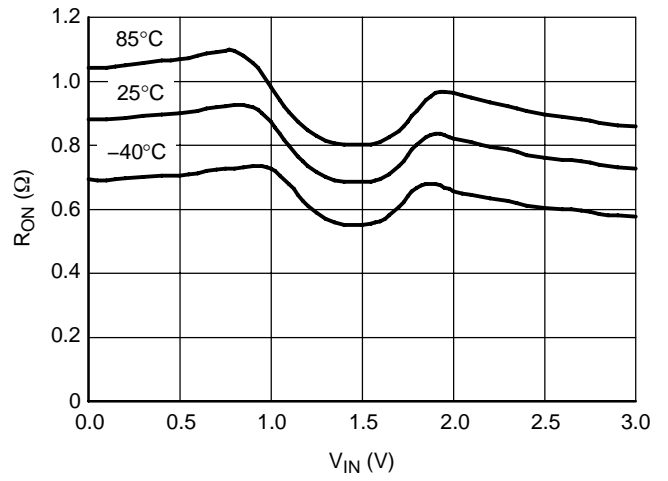


**Figure 6. Charge Injection: (Q)**

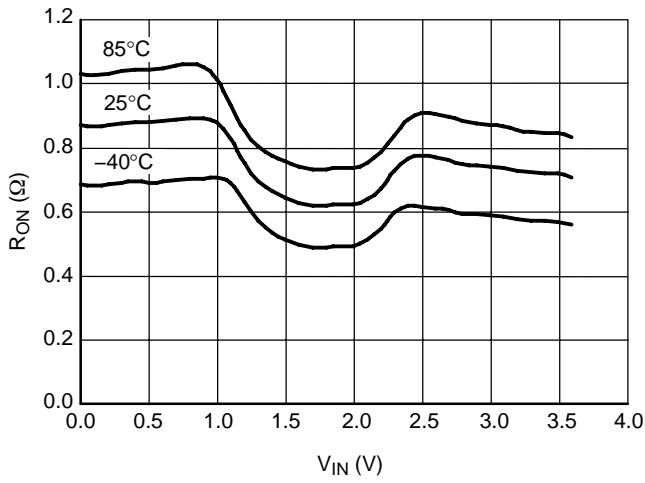
# NLAS4783B



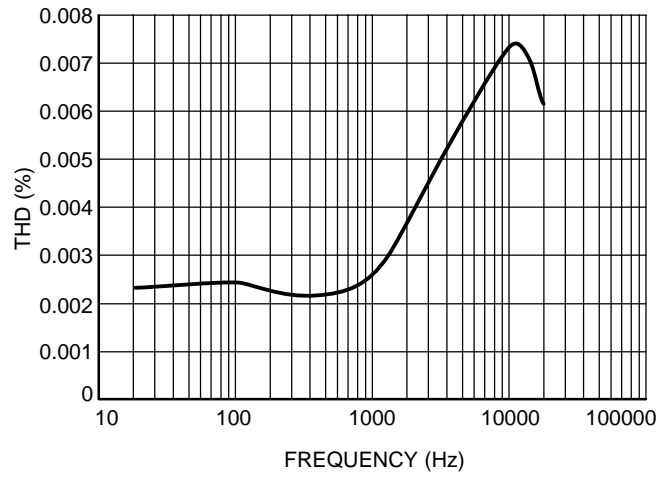
**Figure 7. On-Resistance vs. Input Voltage  
@  $V_{CC} = 4.3\text{ V}$**



**Figure 8.  $R_{ON}$  vs.  $V_{IN}$  vs. Temperature  
@  $V_{CC} = 3.0\text{ V}$**



**Figure 9.  $R_{ON}$  vs.  $V_{IN}$  vs. Temperature  
@  $V_{CC} = 3.6\text{ V}$**



**Figure 10. Total Harmonic Distortion vs.  
Frequency**



# NLAS4783B

## ORDERING INFORMATION

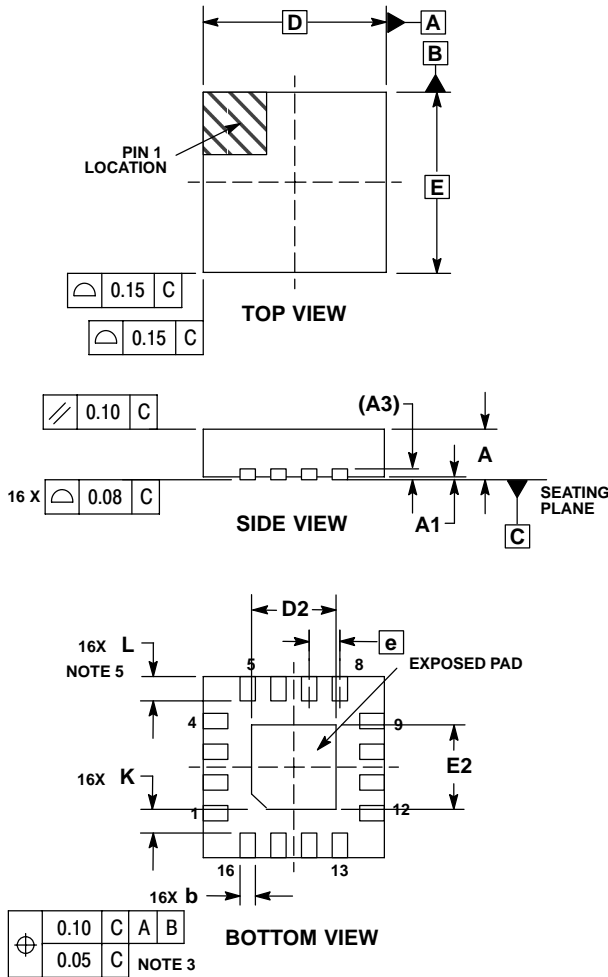
Device Order Number	Device Nomenclature					Package Type	Tape & Reel Size <sup>†</sup>
	Circuit Indicator	Technology	Device Function	Package Suffix	Tape & Reel Suffix		
NLAS4783BMN1R2G	NL	AS	4783B	MN1	R2G	QFN (Pb-Free)	3000 Tape & Reel

<sup>†</sup>For information on tape and reel specifications, including part orientation and tape sizes, please refer to our Tape and Reel Packaging Specifications Brochure, BRD8011/D.

# NLAS4783B

## PACKAGE DIMENSIONS

QFN-16 (3 x 3 x 0.85 mm)  
CASE 485AE-01  
ISSUE O



### NOTES:

1. DIMENSIONING AND TOLERANCING PER ASME Y14.5M, 1994.
2. CONTROLLING DIMENSION: MILLIMETERS.
3. DIMENSION b APPLIES TO PLATED TERMINAL AND IS MEASURED BETWEEN 0.25 AND 0.30 MM FROM TERMINAL.
4. COPLANARITY APPLIES TO THE EXPOSED PAD AS WELL AS THE TERMINALS.
5. OUTLINE MEETS JEDEC DIMENSIONS PER MO-220, VARIATION VEED-6.

DIM	MILLIMETERS		
	MIN	NOM	MAX
A	0.800	0.900	1.000
A1	0.000	0.025	0.050
A3	0.200 REF		
b	0.180	0.250	0.300
D	3.00 BSC		
D2	1.250	1.40	1.550
E	3.00 BSC		
E2	1.250	1.40	1.550
e	0.500 BSC		
K	0.200	---	---
L	0.300	0.400	0.500

ON Semiconductor and are registered trademarks of Semiconductor Components Industries, LLC (SCILLC). SCILLC reserves the right to make changes without further notice to any products herein. SCILLC makes no warranty, representation or guarantee regarding the suitability of its products for any particular purpose, nor does SCILLC assume any liability arising out of the application or use of any product or circuit, and specifically disclaims any and all liability, including without limitation special, consequential or incidental damages. "Typical" parameters which may be provided in SCILLC data sheets and/or specifications can and do vary in different applications and actual performance may vary over time. All operating parameters, including "Typicals" must be validated for each customer application by customer's technical experts. SCILLC does not convey any license under its patent rights nor the rights of others. SCILLC products are not designed, intended, or authorized for use as components in systems intended for surgical implant into the body, or other applications intended to support or sustain life, or for any other application in which the failure of the SCILLC product could create a situation where personal injury or death may occur. Should Buyer purchase or use SCILLC products for any such unintended or unauthorized application, Buyer shall indemnify and hold SCILLC and its officers, employees, subsidiaries, affiliates, and distributors harmless against all claims, costs, damages, and expenses, and reasonable attorney fees arising out of, directly or indirectly, any claim of personal injury or death associated with such unintended or unauthorized use, even if such claim alleges that SCILLC was negligent regarding the design or manufacture of the part. SCILLC is an Equal Opportunity/Affirmative Action Employer. This literature is subject to all applicable copyright laws and is not for resale in any manner.

### PUBLICATION ORDERING INFORMATION

**LITERATURE FULFILLMENT:**  
Literature Distribution Center for ON Semiconductor  
P.O. Box 61312, Phoenix, Arizona 85082-1312 USA  
**Phone:** 480-829-7710 or 800-344-3860 Toll Free USA/Canada  
**Fax:** 480-829-7709 or 800-344-3867 Toll Free USA/Canada  
**Email:** orderlit@onsemi.com

**N. American Technical Support:** 800-282-9855 Toll Free  
USA/Canada

**Japan:** ON Semiconductor, Japan Customer Focus Center  
2-9-1 Kamimeguro, Meguro-ku, Tokyo, Japan 153-0051  
**Phone:** 81-3-5773-3850

**ON Semiconductor Website:** <http://onsemi.com>

**Order Literature:** <http://www.onsemi.com/litorder>

For additional information, please contact your local Sales Representative.