

NIS6201

Product Preview

Floating, Regulated Charge Pump

The NIS6201 charge pump is designed to provide economical, low level power to circuits above ground level potential, such as the drive for ORing diodes. It is a very cost-effective replacement for a small, isolated, switching power supply.

It contains an internal linear regulator, and a versatile charge pump to allow bias voltage supplies to be transferred from a ground referenced source to a higher potential. The design of the charge pump allows for any isolation voltage required, as the high voltage components are external to the pump and can be sized accordingly.

Features

- Integrated Linear Regulator and Charge Pump
- Thermal Limit Protection
- Adjustable Voltage Output
- High Voltage Isolation

Applications

- ORing Diodes
- Floating Supervisory Circuits
- LED Driver

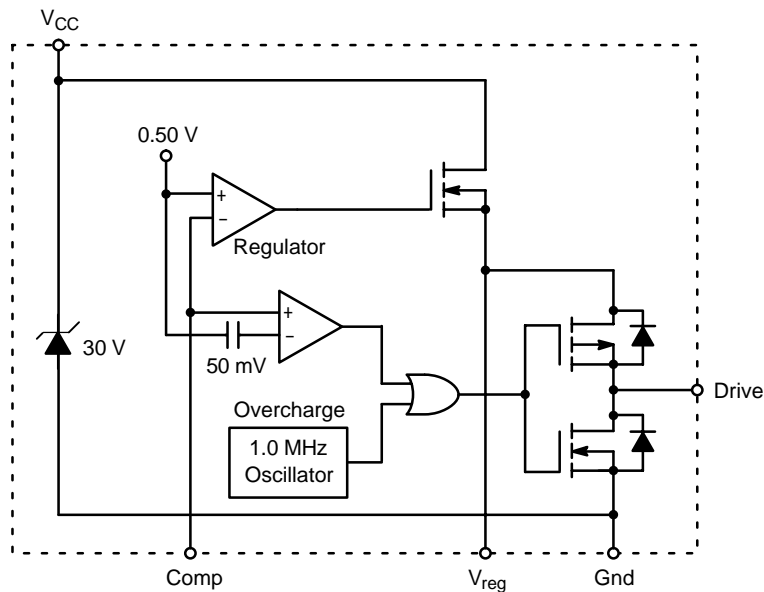


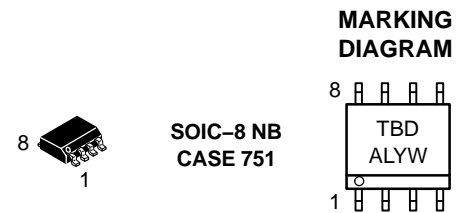
Figure 1. Charge Pump Block Diagram

This document contains information on a product under development. ON Semiconductor reserves the right to change or discontinue this product without notice.



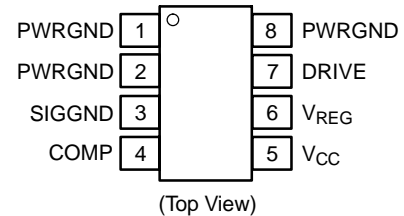
ON Semiconductor®

<http://onsemi.com>



A = Assembly Location
L = Wafer Lot
Y = Year
W = Work Week

PIN CONNECTIONS



ORDERING INFORMATION

Device	Package	Shipping
TBD	SOIC-8	TBD

NIS6201

PIN FUNCTION DESCRIPTION

Pin	Symbol	Description
1, 2, 8	PWRGND	Ground reference pin for driver current.
3	SIGGND	Ground reference pin for control circuits. This should be connected to power ground on the PCB.
4	COMP	The feedback and compensation network of the linear regulator are connected to this pin.
5	V _{CC}	Input power to chip. There is an internal clamp at 30 V to allow for a shunt regulator circuit on this pin for high voltage inputs.
6	V _{REG}	This is the regulated output of the internal linear regulator.
7	DRIVE	Output drive of oscillator, that drives external diode/capacitor network.

MAXIMUM RATINGS (Maximum ratings are those, that, if exceeded, may cause damage to the device. Electrical Characteristics are not guaranteed over this range.)

Rating	Symbol	Value	Unit
Input Voltage, Operating	V _{CC}	-0.3 to 18	V
Drive Current, Peak	I _{Dpk}	3.0	A
Drive Current, Average	I _{Davg}	0.05	A
Thermal Resistance, Junction-to-Air 0.1 in ² Copper 0.5 in ² Copper	Q _{JA}	- -	°C/W
Thermal Resistance, Junction-to-Lead (Pin 1) ²	Q _{JL}	-	°C/W
Power Dissipation @ T _A = 25°C SO-8 Leadless	P _{max}	-	W
Energy Rating SO-8 Leadless	E _{max}	-	J
Operating Temperature Range	T _j	-40 to 125	°C
Non-operating Temperature Range	T _j	-55 to 150	°C
Lead Temperature, Soldering (?? Sec)	T _L	-	°C

ELECTRICAL CHARACTERISTICS (Unless otherwise noted: V_{CC} = 15 V, V_{reg} = 12 V, T_j = 25°C.)

Characteristic	Symbol	Min	Typ	Max	Unit
----------------	--------	-----	-----	-----	------

OSCILLATOR

Frequency	f _{osc}	0.9	1.0	1.1	MHz
-----------	------------------	-----	-----	-----	-----

DRIVER

On Resistance, High Side FET	R _{DSon(hi)}	-	20	-	Ω
On Resistance, Low Side FET	R _{DSon(low)}	-	20	-	Ω

LINEAR REGULATOR

Reference Voltage	V _{ref}	490	500	510	mV
Temperature Coefficient	-	-	-	-	-
Headroom (V _{CC} -V _{reg})	V _{head}	-	0	-	V
Sink Current (V _{pin} ? ≤ 300 mV, Low Z State)	I _{Low}	-	5.0	-	mA
Leakage Current (V _{pin} ? = 18 V, High Z State)	I _{Leak}	-	20	-	μA

TOTAL DEVICE

Minimum Operational Input Voltage	V _{min}	7.0	-	-	V
Bias Current (Operational)	I _{Bias}	-	2.0	-	mA

NIS6201

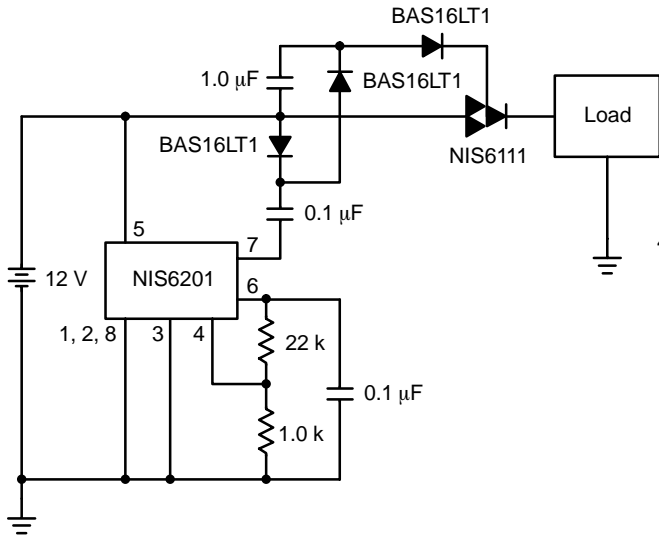


Figure 2. Application Circuit with Better ORing Diode

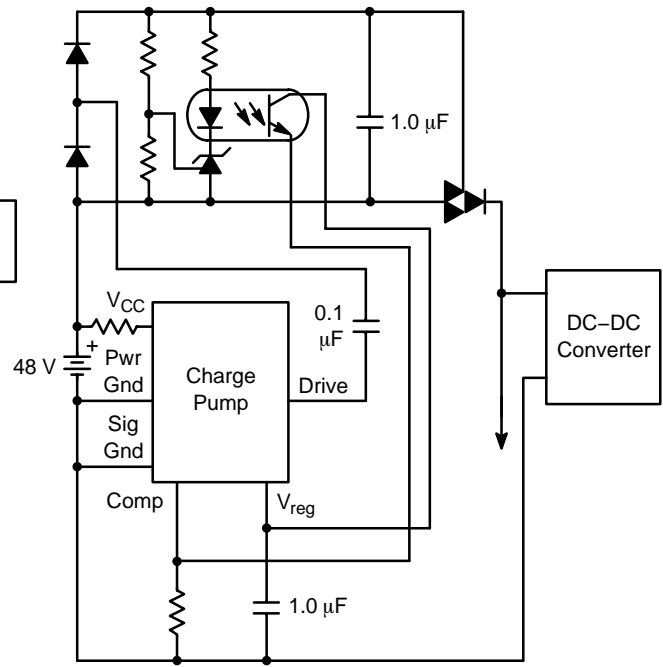


Figure 3. Application Circuit for Improved Regulation and Transient Response

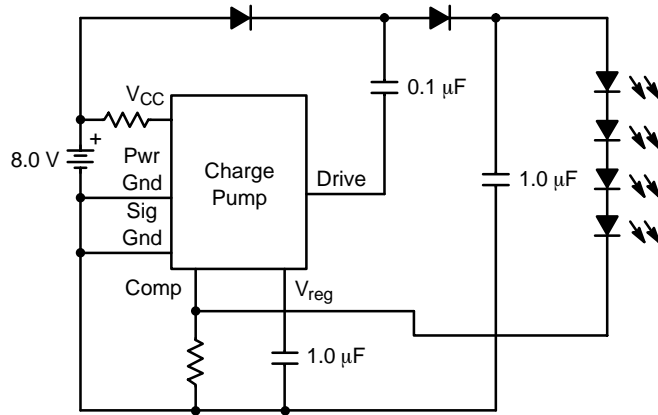
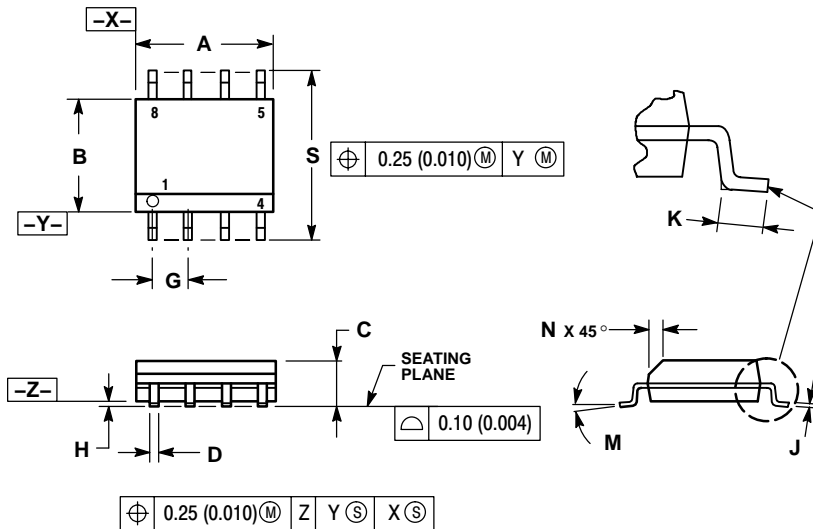


Figure 4. Current Regulated, Voltage Doubler

NIS6201

PACKAGE DIMENSIONS

SOIC-8 NB
CASE 751-07
ISSUE AB

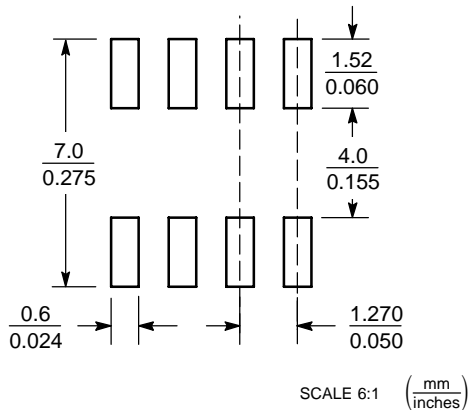


NOTES:

1. DIMENSIONING AND TOLERANCING PER ANSI Y14.5M, 1982.
2. CONTROLLING DIMENSION: MILLIMETER.
3. DIMENSION A AND B DO NOT INCLUDE MOLD PROTRUSION.
4. MAXIMUM MOLD PROTRUSION 0.15 (0.006) PER SIDE.
5. DIMENSION D DOES NOT INCLUDE DAMBAR PROTRUSION. ALLOWABLE DAMBAR PROTRUSION SHALL BE 0.127 (0.005) TOTAL IN EXCESS OF THE D DIMENSION AT MAXIMUM MATERIAL CONDITION.
6. 751-01 THRU 751-06 ARE OBSOLETE. NEW STANDARD IS 751-07.

DIM	MILLIMETERS		INCHES	
	MIN	MAX	MIN	MAX
A	4.80	5.00	0.189	0.197
B	3.80	4.00	0.150	0.157
C	1.35	1.75	0.053	0.069
D	0.33	0.51	0.013	0.020
G	1.27 BSC		0.050 BSC	
H	0.10	0.25	0.004	0.010
J	0.19	0.25	0.007	0.010
K	0.40	1.27	0.016	0.050
M	0°	8°	0°	8°
N	0.25	0.50	0.010	0.020
S	5.80	6.20	0.228	0.244

SOLDERING FOOTPRINT*



*For additional information on our Pb-Free strategy and soldering details, please download the ON Semiconductor Soldering and Mounting Techniques Reference Manual, SOLDERRM/D.

ON Semiconductor and are registered trademarks of Semiconductor Components Industries, LLC (SCILLC). SCILLC reserves the right to make changes without further notice to any products herein. SCILLC makes no warranty, representation or guarantee regarding the suitability of its products for any particular purpose, nor does SCILLC assume any liability arising out of the application or use of any product or circuit, and specifically disclaims any and all liability, including without limitation special, consequential or incidental damages. "Typical" parameters which may be provided in SCILLC data sheets and/or specifications can and do vary in different applications and actual performance may vary over time. All operating parameters, including "Typicals" must be validated for each customer application by customer's technical experts. SCILLC does not convey any license under its patent rights nor the rights of others. SCILLC products are not designed, intended, or authorized for use as components in systems intended for surgical implant into the body, or other applications intended to support or sustain life, or for any other application in which the failure of the SCILLC product could create a situation where personal injury or death may occur. Should Buyer purchase or use SCILLC products for any such unintended or unauthorized application, Buyer shall indemnify and hold SCILLC and its officers, employees, subsidiaries, affiliates, and distributors harmless against all claims, costs, damages, and expenses, and reasonable attorney fees arising out of, directly or indirectly, any claim of personal injury or death associated with such unintended or unauthorized use, even if such claim alleges that SCILLC was negligent regarding the design or manufacture of the part. SCILLC is an Equal Opportunity/Affirmative Action Employer. This literature is subject to all applicable copyright laws and is not for resale in any manner.

PUBLICATION ORDERING INFORMATION

LITERATURE FULFILLMENT:
Literature Distribution Center for ON Semiconductor
P.O. Box 5163, Denver, Colorado 80217 USA
Phone: 303-675-2175 or 800-344-3860 Toll Free USA/Canada
Fax: 303-675-2176 or 800-344-3867 Toll Free USA/Canada
Email: orderlit@onsemi.com

N. American Technical Support: 800-282-9855 Toll Free
USA/Canada

Japan: ON Semiconductor, Japan Customer Focus Center
2-9-1 Kamimeguro, Meguro-ku, Tokyo, Japan 153-0051
Phone: 81-3-5773-3850

ON Semiconductor Website: <http://onsemi.com>

Order Literature: <http://www.onsemi.com/litorder>

For additional information, please contact your local Sales Representative.