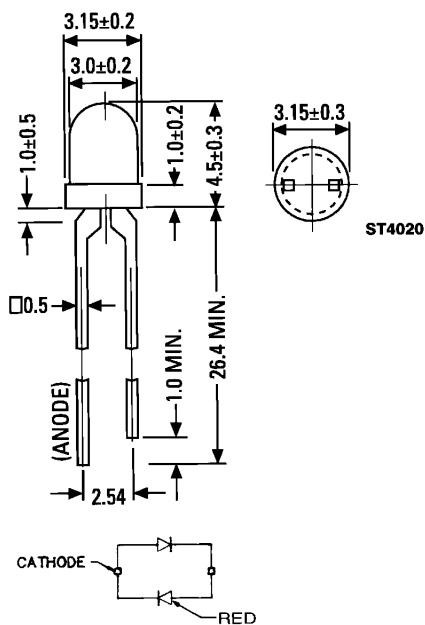




BICOLOR T-1 SOLID STATE LAMPS

HIGH EFFICIENCY GREEN/AlGaAs RED **MV6461** HIGH EFFICIENCY RED/AlGaAs RED **MV6661**

PACKAGE DIMENSIONS



DESCRIPTION

The MV6461 is a White Diffused wide viewing angle, dual chip, 4-state lamp utilizing Deep Red AlGaAs and High Efficiency Green AC-driven, the LED lamp appears Orange. The MV6661 is a Red Diffused, wide viewing angle bipolar Red (AC) lamp featuring Red AlGaAs and High Efficiency Red chips.

FEATURES

- Excellent uniformity and visual appeal
- Very wide viewing angle for perfect direct view
- Increased reliability
- Radically improved die-off-center characteristics
- Same current for both colors for minimum component count
- Improved solder heat durability
- 4-state; Green, Red, Orange, OFF. (MV6461)
- 100 mil lead spacing

NOTES:

1. ALL DIMENSIONS ARE IN MM.
2. LEAD SPACING IS MEASURED WHERE THE LEADS EMERGE FROM THE PACKAGE.
3. PROTRUDED RESIN UNDER THE FLANGE IS 1.5 mm (0.059") MAX.

ELECTRO-OPTICAL CHARACTERISTICS (25°C Unless Otherwise Specified)						
PARAMETER		SYMBOL	MV6661	MV6461	UNITS	TEST CONDITIONS
Luminous intensity	min.	I_v	2.5	2.5	mcd	$I_f = 20$ mA
	typ.		10	10	mcd	$I_f = 20$ mA
Forward voltage	max.	V_f	3.0	3.0	V	$I_f = 20$ mA
	typ.		2.1	2.1	V	$I_f = 20$ mA
Dominant wavelength	typ.	λ_d	630/650	567/650	nm	$I_f = 20$ mA
Total viewing angle between half Luminous intensity points			20½	100	100	degree $I_f = 20$ mA

ABSOLUTE MAXIMUM RATINGS ($T_A = 25^\circ\text{C}$ Unless Otherwise Specified)			
PARAMETERS	RATING	UNITS	NOTES
Power dissipation	135	mW	1
Peak current	90	mA	
Average current	25	mA	2
Lead soldering time	5	seconds	
Storage and operating temperatures	-55°C to +100°C		3

- NOTES**
1. Derate power linearly from 25°C at 1.8 mW/°C
 2. Derate current linearly from 50°C at 0.5 mA/°C
 3. To a point minimum 1/16 inch (1.6 mm) from the bottom lamp.

