

**MTSM2142B-UBL**

**Features**

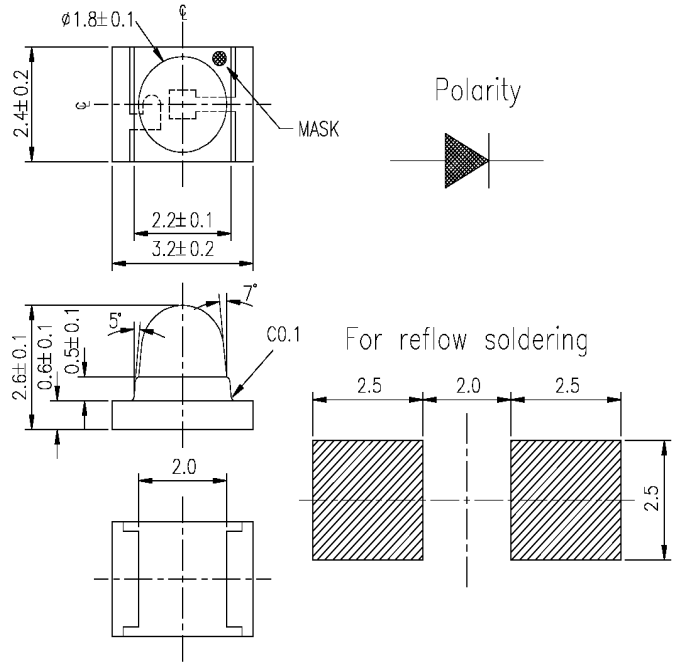
Compatible with Automatic Placement Equipment  
Packaged in 12.0mm Tape on 7" Diameter Reel  
Surface Mount LED Lamp  
Long Life Solid State Reliability  
1000 Pieces per Reel

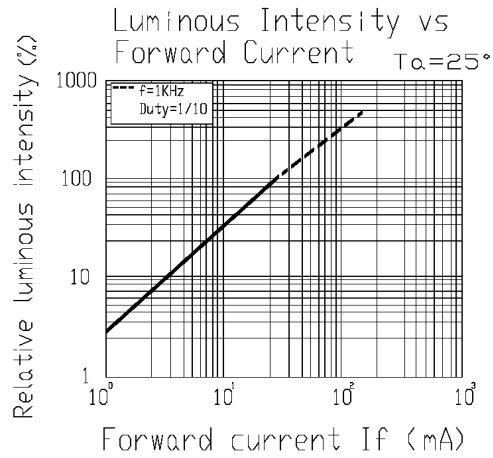
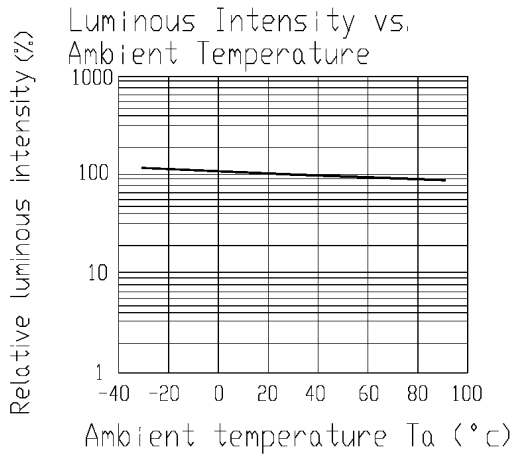
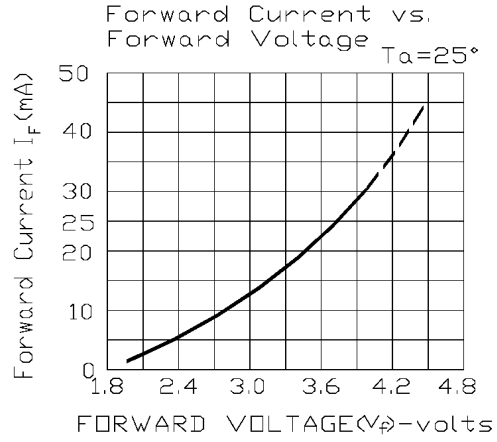
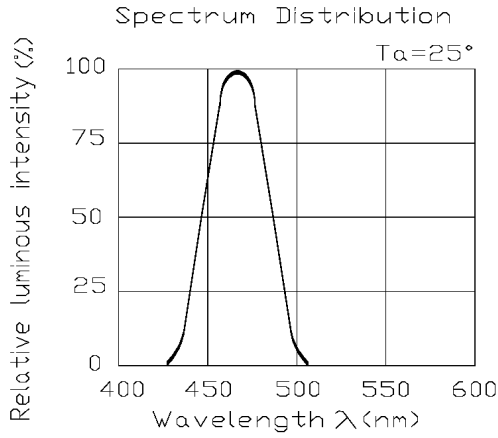
**Maximum Ratings (Ta=25°C)**

| Characteristic        | Symbol           | Max.           | Unit |
|-----------------------|------------------|----------------|------|
| Forward Current       | I <sub>F</sub>   | 30             | mA   |
| Reverse Voltage       | V <sub>R</sub>   | 5              | V    |
| Power Dissipation     | P <sub>D</sub>   | 120.00         | mW   |
| Operating Temperature | T <sub>opr</sub> | -20 ~ +80      | °C   |
| Storage Temperature   | T <sub>stg</sub> | -30 ~ +90      | °C   |
| Soldering Temperature | T <sub>sol</sub> | 260            | °C   |
| Soldering Time        | -                | for 5 sec. max | -    |

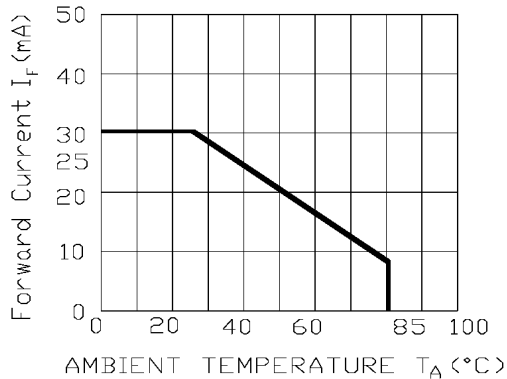
**Opto-Electrical Characteristics (Ta=25°C)**

| Characteristic           | Symbol            | Test Condition       | Min    | Typ    | Max  | Unit |
|--------------------------|-------------------|----------------------|--------|--------|------|------|
| Forward Voltage          | V <sub>F</sub>    | I <sub>F</sub> =20mA | -      | 3.50   | 4.00 | V    |
| Reverse Current          | I <sub>R</sub>    | V <sub>R</sub> =5V   | -      | -      | 50   | μ A  |
| Luminous Intensity       | I <sub>v</sub>    | I <sub>F</sub> =20mA | 118.00 | 150.00 | -    | mcd  |
| Viewing Angle            | 2θ <sup>1/2</sup> | -                    | -      | 30°    | -    | deg. |
| Peak Wavelength          | λ <sub>p</sub>    | I <sub>F</sub> =20mA | -      | 468    | -    | nm   |
| Dominant Wavelength      | λ <sub>d</sub>    | I <sub>F</sub> =20mA | -      | 470    | -    | nm   |
| Spectral Line Half Width | Δλ                | I <sub>F</sub> =20mA | -      | 26     | -    | nm   |





Forward Current Derating Curve



Radiation Diagram  $T_a=25^\circ$

