

MTRS6660

Features

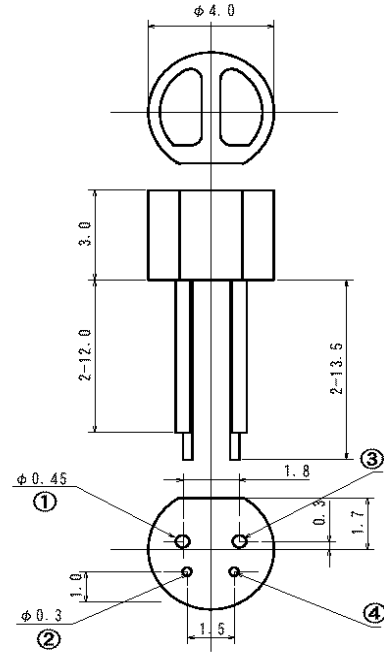
High Reliability
Compact Package

Applications

Card Reader
Bar Code Reader
Edge Sensing
Money/Bill Reader

Maximum Ratings (Ta=25°C)

Characteristic	Symbol	Max.	Test Condition	Unit
Forward Current	I _F	40	-	mA
Pulsed Forward Current	I _{FP}	.50	tw=10μ S, T=10mS	A
Reverse Voltage	V _R	4	-	V
Power Dissipation	P _D	100.00	-	mW
Operating Temperature	T _{opr}	-20 ~ +80	-	°C
Storage Temperature	T _{stg}	-30 ~+100	-	°C
Soldering Temperature	T _{sol}	260	for 5 sec. max	°C



- ① LED Anode ③ PD Cathode
② LED Cathode ④ PD Anode

Opto-Electrical Characteristics (Ta=25°C)

Characteristic	Symbol	Test Condition	Min	Typ	Max	Unit
Forward Voltage	V _F	I _F =20mA	-	1.80	2.20	V
Reverse Current	I _R	V _R =4V	-	-	10	μA
Light Current	I _L	I _F =20mA, V _R =10V, d=1mm*	.70	1.50	-	μA
Dark Current	I _D	V _R =10V	-	-	10	μA
Peak Sensitivity Wavelength	λ _p	I _F =20mA	-	660	-	nm
Spectral Line Half Width	Δλ	I _F =20mA	-	25	-	nm
Cross-Talk	I _X	I _F =20mA, V _R =10V	-	-	1	%
Rise Time	T _r	V _R =10V, I _F =20mA, R _L =1KΩ	-	1000.00	-	ns
Fall Time	T _f	V _R =10V, I _F =20mA, R _L =1KΩ	-	1000.00	-	ns

* Measured by Reflecting with Aluminum evaporated mirror (d=1.00mm)

Company Headquarters
3 Northway Lane North
Latham, New York 12110
Toll Free: 800.984.5337
Fax: 518.785.4725



Web: www.marktechopto.com | Email: info@marktechopto.com

West Coast Sales Office
950 South Coast Drive, Suite 225
Costa Mesa, California 92626
Toll Free: 800.984.5337
Fax: 714.850.9314

MTRS6660 Graphs

