

Fiber Optics

MT108L-UR3

Applications -

- Bar Code Scanning
- Fiber Optics
- Optical Switch

Features -

- Visible Light Emitter
- Excellent Optical/Mechanical Axis Alignment

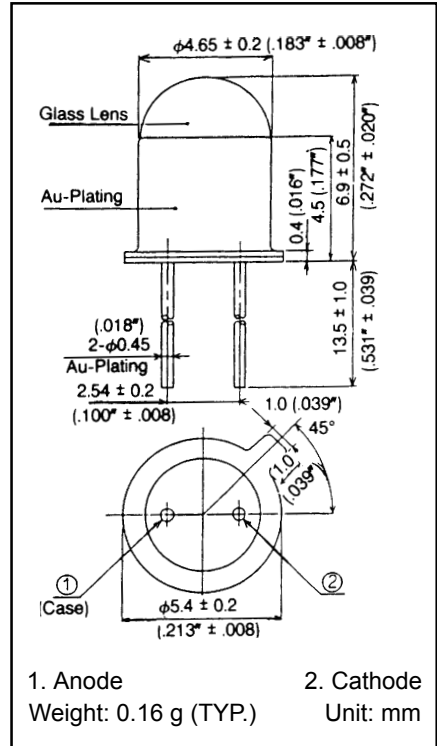
MAXIMUM RATINGS (Ta = 25°C)

CHARACTERISTIC	SYMBOL	RATING	UNIT
Forward Current	I_F	50	mA
Reverse Voltage	V_R	4	V
Pulse Forward Current	I_{FP}	0.5*	A
Power Dissipation	P_D	100	mW
Operating Temperature	T_{opr}	-20~80	°C
Storage Temperature	T_{stg}	-30~100	°C

* $t_w = 10\mu s$, $T = 10mS$

OPTO-ELECTRICAL CHARACTERISTICS (Ta = 25°C)

CHARACTERISTIC	SYMBOL	TEST CONDITION	MIN.	TYP.	MAX.	UNIT
Power Output	PO	IF = 20mA	1.0	3.0	—	mW
Forward Voltage	V_F	IF = 20mA	—	1.8	2.4	V
Reverse Current	I_R	VR = 4V	—	—	100	μA
Peak Wavelength	λ_p	IF = 20mA	—	660	—	nm
Spectral Line Half Width	$\Delta\lambda$	IF = 20mA	—	20	—	nm
Rise Time	T_r	$I_{FP} = 50mA$	—	30	—	ns
Fall Time	T_f		—	30	—	ns
Viewing Angle	2θ½	—	—	16	—	°



120 Broadway • Menands, New York 12204

Toll Free: (800) 98-4LEDS • Fax: (518) 432-7454

Fiber Optics

MT108L-UR3 Graphs -

