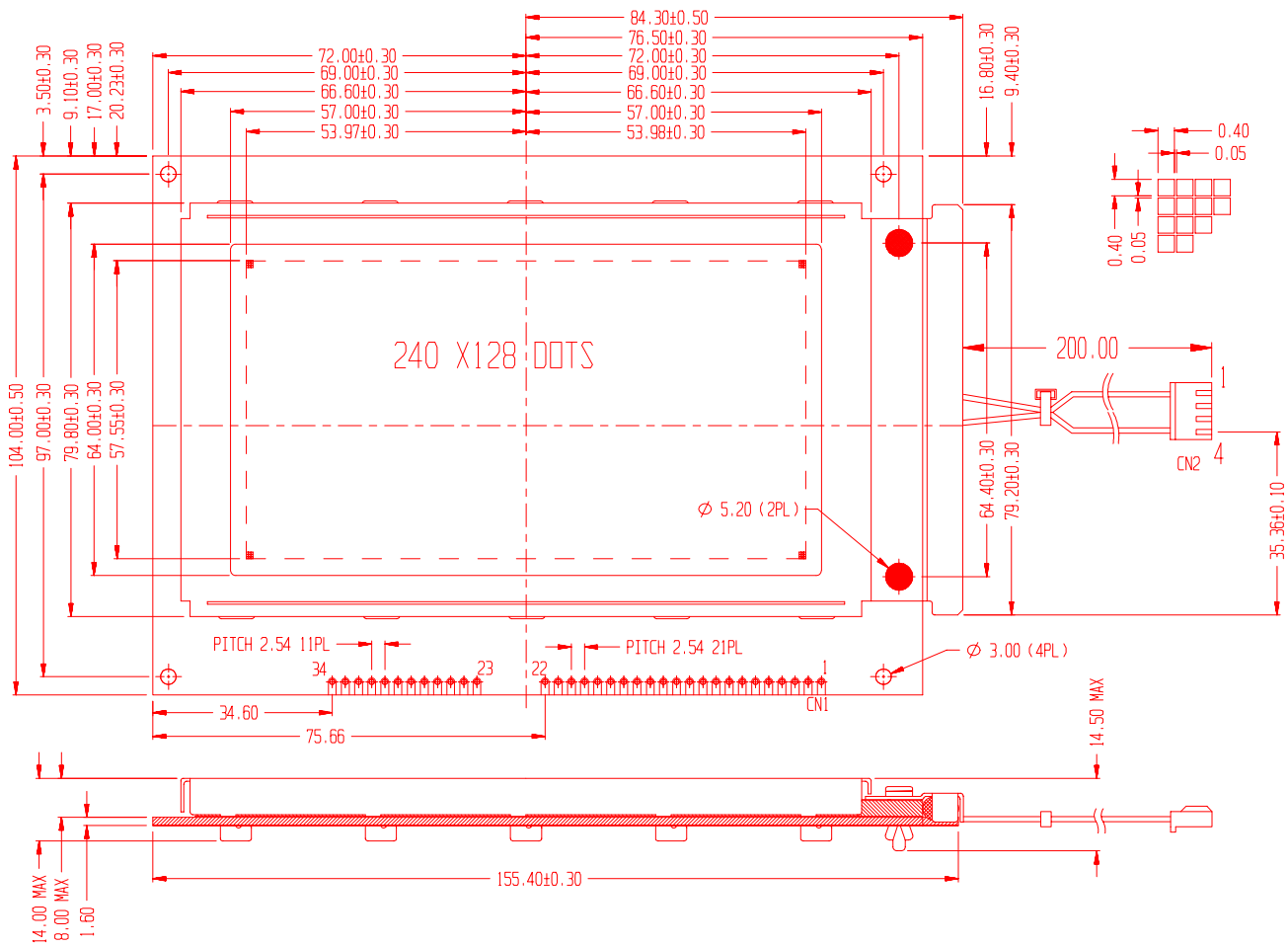


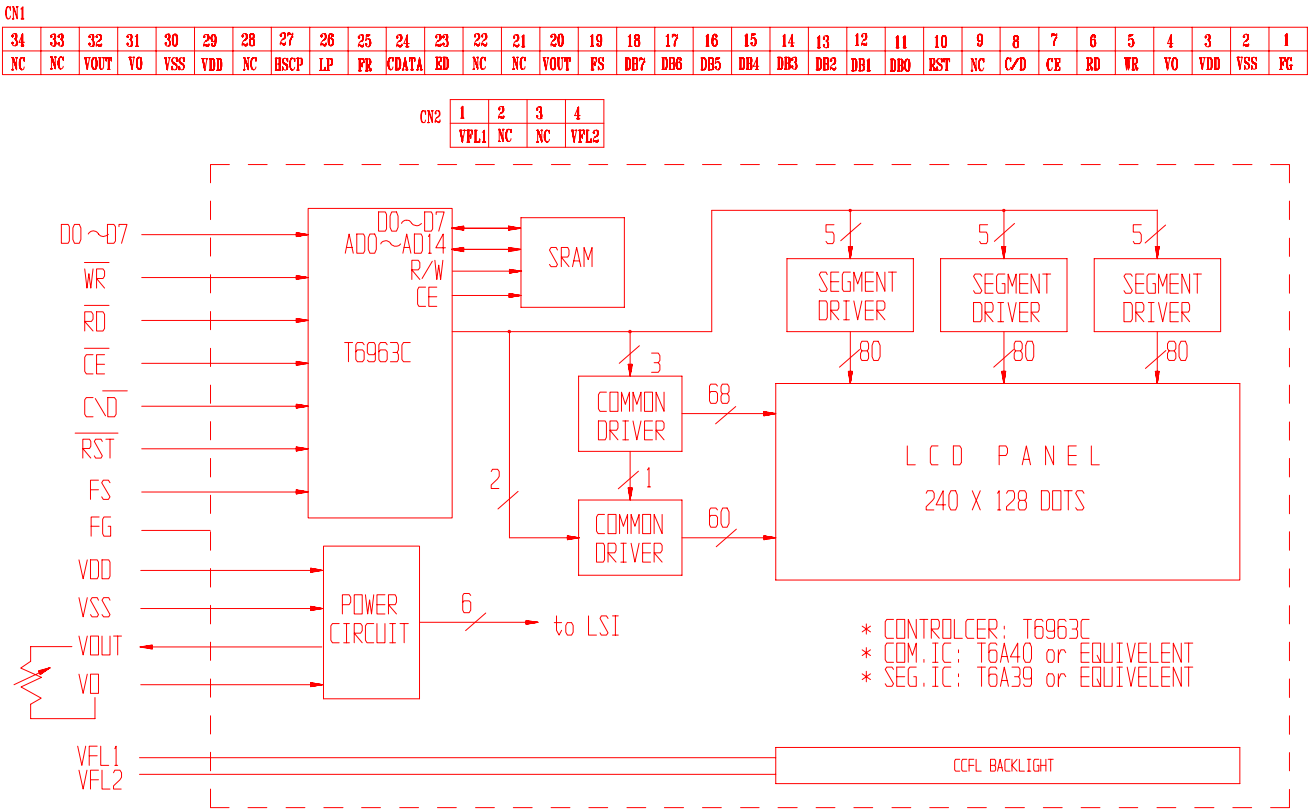
■ **PHYSICAL DATA**

Item	Contents	Unit
LCD type	STN	---
LCD duty	1/128	---
LCD bias	1/12	---
Viewing direction	6	o'clock
Module size (W×H×T)	156.3 × 104 × 14.5MAX (6.15" × 4.09" × 0.57"MAX)	mm
Viewing area (W×H)	114 × 64 (4.49" × 2.52")	mm
Number of dots	240 × 128	dots
Dot size (W×H)	0.40 × 0.40 (0.016" × 0.016")	mm
Dot pitch (W×H)	0.45 × 0.45 (0.018" × 0.018")	mm

■ **EXTERNAL DIMENSIONS**



■ **BLOCK DIAGRAM**



■ **ABSOLUTE MAXIMUM RATINGS** (Ta = 25°C)

Parameter	Symbol	Min	Max	Unit
Supply voltage for logic	VDD	-0.3	7.0	V
Supply voltage for LCD	VDD - VO	-0.3	28	V
Input voltage	VI	-0.3	VDD+0.3	V
Operating temperature	TOP	0	50	°C
Storage temperature	TST	-10	60	°C

■ **ELECTRICAL CHARACTERISTICS** (VDD = +5V±10% , VSS = 0V, Ta = 25°C)

◆ **DC Characteristics**

Parameter	Symbol	Condition	Min	Typ	Max	Unit
Supply voltage for logic	VDD	---	4.5	5.0	5.5	V
Supply current for logic	IDD	---	---	16	22	mA
Operating voltage for LCD	VDD - VO	0°C	17.0	18.0	19.0	V
		25°C	16.5	17.5	18.5	V
		50°C	15.9	16.9	17.9	V
Input voltage ' H ' level	VIH	---	VDD - 2.2	---	VDD	V
Input voltage ' L ' level	VIL	---	0	---	0.8	V