

Description

The MSL-194SO, a ORANGE source Chip LED device, is designed in an industry standard package suitable for SMT assembly method. It utilizes GaAsP on GaP LED chip technology and water clear epoxy package.

Applications

- Small Size
- Industry Standard Footprint(0603)
- Compatible with IR Solder process
- Available in 8 mm Tape on 7"(178mm)

Diameter Reels

Features

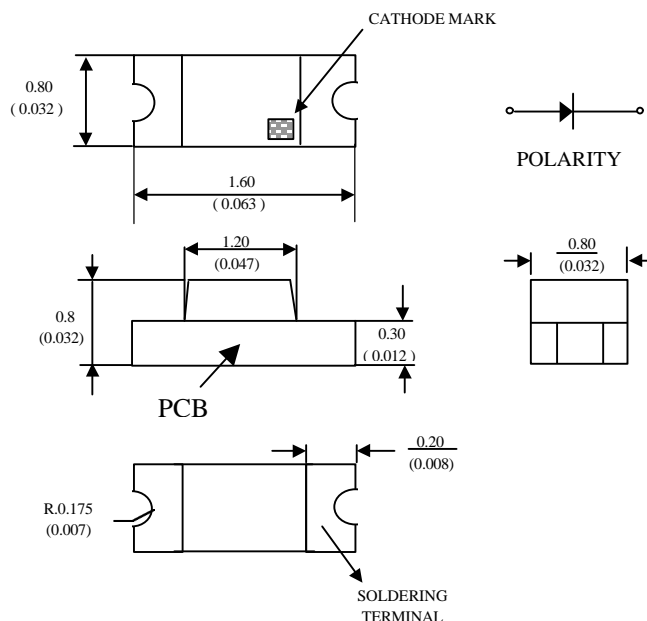
- Push-Button Backlighting
- LCD Backlighting
- Symbol Backlighting
- Front Panel Indicator

Absolute Maximum Ratings

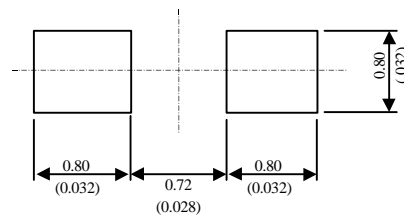
@ $T_A=25^{\circ}\text{C}$

Parameter	Symbol	Maximum Rating	Unit
Peak Forward Current(1/10 Duty Cycle@1KHz)	I_{FP}	100	mA
DC Forward Current	I_F	25	mA
Power Dissipation	P_D	63	mW
Reverse Voltage	V_R	5	V
Operating Temperature Range	T_{OPR}	-20°C to +80°C	
Storage Temperature Range	T_{STG}	-30°C to +100°C	

Package Dimensions



Recommended Solder Patterns



NOTE:

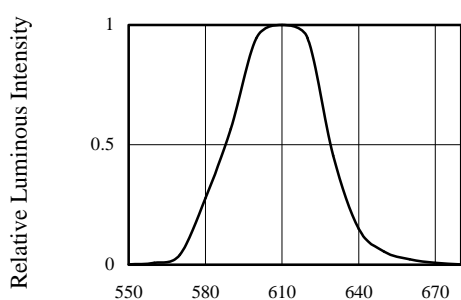
1. All dimensions are in millimeter (inches)
2. Tolerance is $\pm 0.1\text{mm}$ (.004") unless otherwise specified.

Optical-Electrical Characteristics

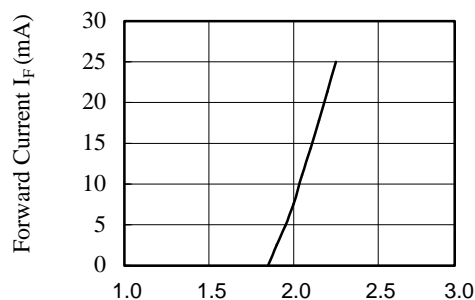
@ T_A=25°C

Parameter	Test Conditions	Symbol	Min .	Typ .	Max .	Unit .
Luminous Intensity	I _F =20mA	I _V	40	80	-	mcd
Forward Voltage	I _F =20mA	V _F	-	2.2	2.5	V
Reverse Current	V _R =5V	I _R	-	-	10	μA
Peak/Dominant Wavelength	I _F =20mA	λ _p /λ _d	-	610/605	-	nm
Spectral Linewidth	I _F =20mA	Δλ	-	20	-	nm
Viewing Angle	I _F =20mA	2θ _{1/2}	-	130	-	deg.

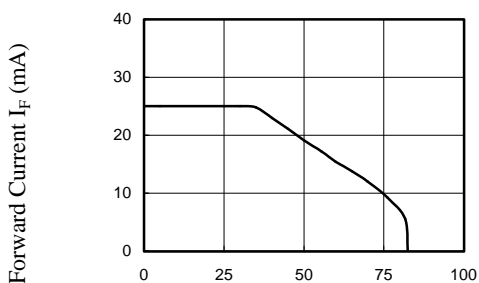
Typical Optical-Electrical Characteristic Curves



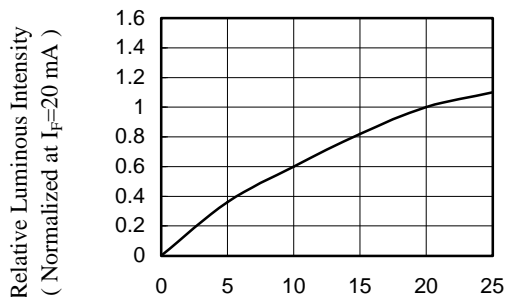
Wavelength (nm)
FIG.1 RELATIVE INTENSITY LUMINOUS VS. WAVELENGTH



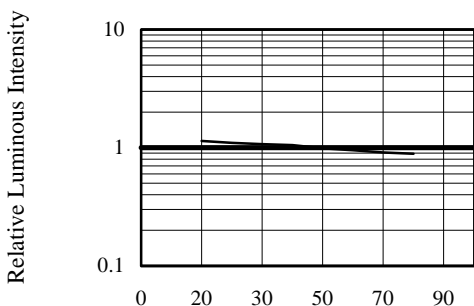
Forward Current I_F (mA)
Forward Voltage (V)
FIG.2 FORWARD CURRENT VS. FORWARD VOLTAGE.



Ambient Temperature()
FIG. 3 FORWARD CURRENT VS. AMBIENT TEMPERATURE.



Relative Luminous Intensity (Normalized at I_F=20 mA)
Forward current (mA)
FIG. 4 RELATIVE LUMINOUS INTENSITY VS. FORWARD CURRENT.



Ambient Temperature (°C)
FIG.5 LUMINOUS INTENSITY VS. AMBIENT TEMPERATURE

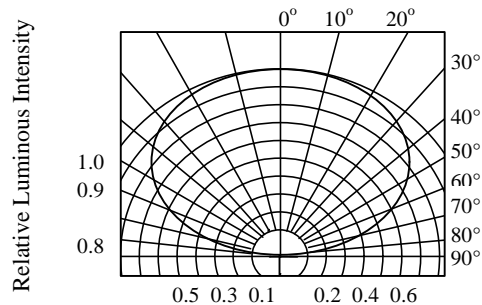


FIG.6 RADIATION DIAGRAM