



600V/600A HALF BRIDGE PEM 4801

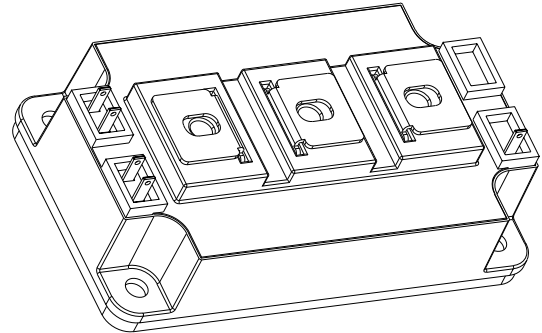
4707 Dey Road Liverpool, N.Y. 13088

(315) 701-6751

FEATURES:

- Half Bridge Configuration
- 600V Rated Voltage
- 600A Continuous Output Current
- Internal Zener Clamps on Gates
- Proprietary Encapsulation Provides Near Hermetic Performance
- MIL-PRF-38534 Screening Available (Modified)
- Light Weight Ultra-Flat AlSiC Baseplate
- Robust Mechanical Design for Hi-Rel Applications
- Ultra-Low Inductance Internal Layout
- Withstands HAST and Thermal Cycling (-55°C to +125°C)
- High Side Collector Sense Pin for De-Sat Detection

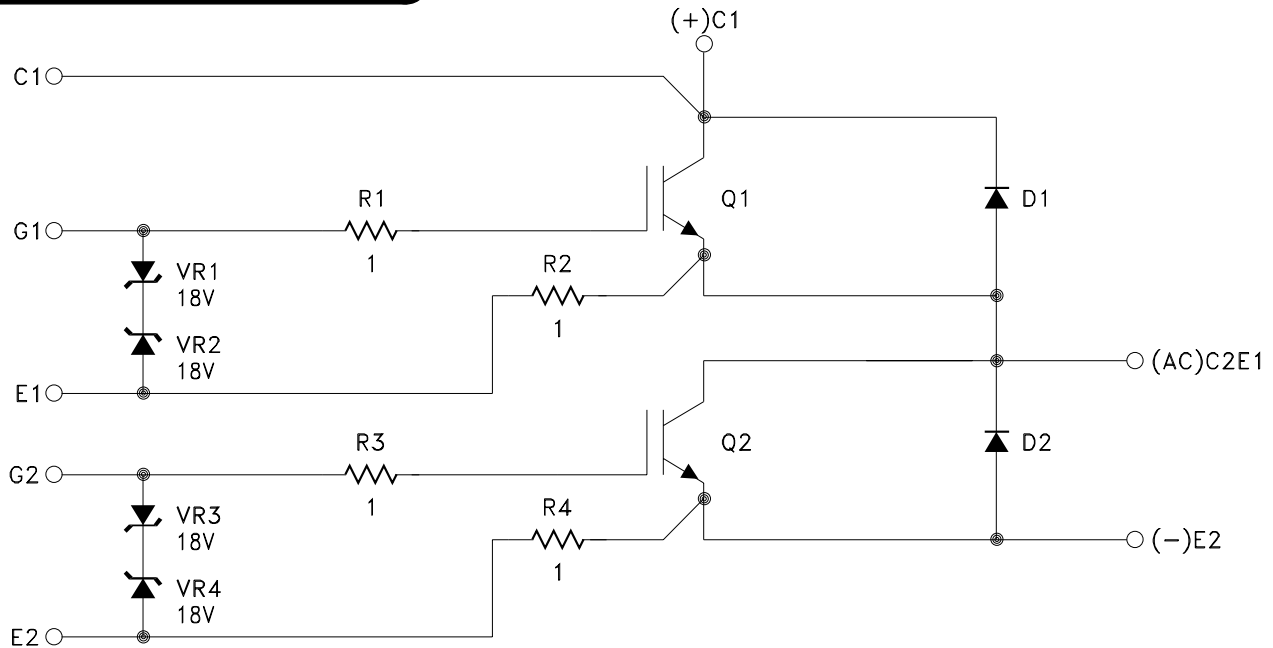
MIL-PRF-38534 CERTIFIED



DESCRIPTION:

The MSK 4801 is one of a family of Plastic Encapsulated Modules (PEM) developed specifically for use in military, aerospace and other severe environment applications. The half bridge configuration and 600 volt/600 amp rating make it ideal for use in high current motor drive and inverter applications. The Aluminum Silicon Carbide (AlSiC) baseplate offers superior flatness and light weight; far better than the copper or copper alloys found in most high power plastic modules. The high thermal conductivity materials used to construct the MSK 4801 allow high power outputs at elevated baseplate temperatures. Our proprietary coating, SEES™ - Severe Environment Encapsulation System - protects the internal circuitry of MSK PEM's from moisture and contamination, allowing them to pass the rugged environmental screening requirements of military and aerospace applications. MSK PEM's are also available with industry standard silicone gel coatings for a lower cost option.

EQUIVALENT SCHEMATIC



TYPICAL APPLICATIONS

- Motor Drives
- Inverters

ABSOLUTE MAXIMUM RATING

VCE	Collector to Emitter Voltage	600V
VGE	Gate to Emitter Voltage	± 20V
IOUT	Current (Continuous)	600A
IOUTP	Current Pulsed (1mS)	1200A
VCASE	Case Isolation Voltage	1500V

TST	Storage Temperature Range	-55°C to +125°C
TJ	Junction Temperature	150°C
TC	Case Operating Temperature Range	
	MSK 4801H/E	-55°C to +125°C
	MSK 4801	-40°C to +85°C

ELECTRICAL SPECIFICATIONS

Parameter ⑥	Test Conditions	Group A Subgroup	MSK 4801 H/E			MSK 4801			Units
			Min.	Typ.	Max.	Min.	Typ.	Max.	
Collector-Emitter Saturation Voltage	IC = 600A, VGE = 15V	1	-	1.9	2.5	-	1.9	2.7	V
		2	-	1.9	2.5	-	1.9	2.7	V
		3	-	1.9	2.6	-	1.9	3.0	V
Collector-Emitter Leakage Current	VCE = 600V, VGE = 0V	1	-	0.15	2.5	-	0.15	3.0	mA
		2	-	6.0	15	-	6.0	15	mA
		3 ①	-	-	2.5	-	-	3.0	mA
Gate Threshold Voltage	IC = 30mA, VCE = VGE	1	4.0	5.4	7.5	4.0	5.4	7.5	V
		2	3.0	4.2	7.5	3.0	4.2	7.5	V
		3	4.0	6.0	7.5	4.0	6.0	7.5	V
Gate Leakage Current	VCE = 0V, VGE = ±15V	1	-0.5	<1nA	0.5	-0.7	<1nA	0.7	uA
		2	-0.5	<1nA	0.5	-0.7	<1nA	0.7	uA
		3	-0.5	<1nA	0.5	-0.7	<1nA	0.7	uA
Diode Forward Voltage	IC = 600A	1	-	1.9	2.6	-	1.9	2.8	V
		2	-	1.5	2.0	-	1.5	2.2	V
		3	-	2.2	2.9	-	2.2	3.1	V
Total Gate Charge ①	V = 300V, IC = 600A	4	-	4500	5380	-	4500	5380	nC
Turn-On Delay ①	V = 300V, IC = 600A, RG = 20Ω	4	-	820	950	-	820	970	nS
Rise Time ①	V = 300V, IC = 600A, RG = 20Ω	4	-	400	700	-	400	700	nS
Turn-Off Delay ①	V = 300V, IC = 600A, RG = 10Ω	4	-	2.0	2.1	-	2.0	2.1	uS
Fall Time ①	V = 300V, IC = 600A, RG = 10Ω	4	-	140	300	-	140	300	nS
Diode Reverse Recovery Time ①	IE = 450A, di/dt = 900A/uS	4	-	80	110	-	80	170	nS
Diode Reverse Recovery Charge ①	IE = 450A, di/dt = 900A/uS	4	-	3.3	3.48	-	3.3	3.48	uC
Thermal Resistance ①	IGBT @ TJ = 125°C	4	-	0.05	0.06	-	0.05	0.07	°C/W
	DIODE @ TJ = 125°C	4	-	0.09	0.12	-	0.09	0.13	°C/W

NOTES:

- ① Guaranteed by design but not tested. Typical parameters are representative of actual device performance but are for reference only.
- ② Industrial grade and "E" suffix devices shall be tested to subgroup 1 unless otherwise specified.
- ③ Military grade devices ("H" suffix) shall be 100% tested to subgroups 1, 2 and 3.
- ④ Subgroups 4, 5 and 6 testing available upon request.
- ⑤ Subgroup 1, 4 TA = +25°C
2, 5 TA = +125°C
3, 6 TA = -55°C
- ⑥ All specifications apply to both the upper and lower sections of the half bridge.
- ⑦ VGE = 15V unless otherwise specified.

APPLICATION NOTES

TBD

TYPICAL PERFORMANCE CURVES

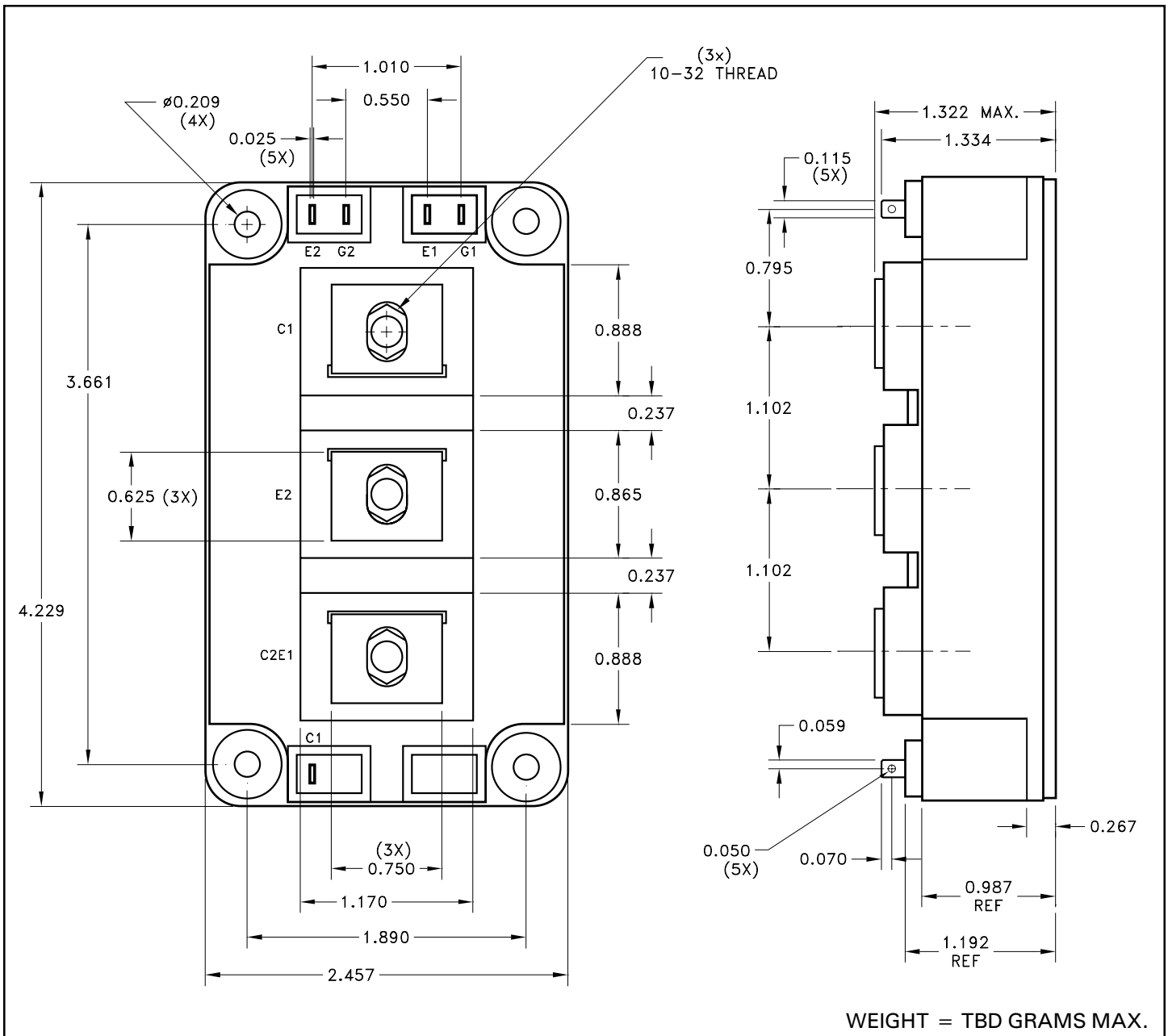
TBD

SCREENING CHART

OPERATION IN ACCORDANCE WITH MIL-PRF-38534	INDUSTRIAL	CLASS E	CLASS H
QUALIFICATION (MODIFIED)	NO	NO	YES
ELEMENT EVALUATION	NO	YES	YES
CLEAN ROOM PROCESSING	YES	YES	YES
NON DESTRUCT BOND PULL SAMPLE	YES	YES	YES
CERTIFIED OPERATORS	NO	YES	YES
MIL LINE PROCESSING	YES	YES	YES
MAX REWORK SPECIFIED	NO	YES	YES
ENCAPSULANT	GEL COAT	SEES™	SEES™
PRE-CAP VISUAL	YES - INDUSTRIAL	YES - CLASS H	YES - CLASS H
TEMP CYCLE (-55°C TO +125°C)	NO	YES	YES
BURN-IN	NO	YES - 96 HOURS	YES - 160 HOURS
ELECTRICAL TESTING	YES - 25°C	YES - 25°C	YES - FULL TEMP
EXTERNAL VISUAL	YES - SAMPLE	YES - SAMPLE	YES
XRAY	NO	NO	NO
PIN FINISH	NI	NI	NI

NOTE: ADDITIONAL SCREENING IS AVAILABLE SUCH AS XRAY, CSAM, MECHANICAL SHOCK, ETC. CONTACT FACTORY FOR QUAL STATUS.

MECHANICAL SPECIFICATIONS



ORDERING INFORMATION

MSK4801 H

SCREENING

BLANK = INDUSTRIAL; E = EXTENDED RELIABILITY;
H = MIL-PRF-38534 CLASS H (MODIFIED)

GENERAL PART NUMBER

THE ABOVE EXAMPLE IS A MILITARY SCREENED MODULE.

M.S. Kennedy Corp.

4707 Dey Road Liverpool, New York 13088

Phone (315) 701-6751

FAX (315) 701-6752

www.mskennedy.com

The information contained herein is believed to be accurate at the time of printing. MSK reserves the right to make changes to its products or specifications without notice, however, and assumes no liability for the use of its products. Please visit our website for the most recent revision of this datasheet.