

MS2473

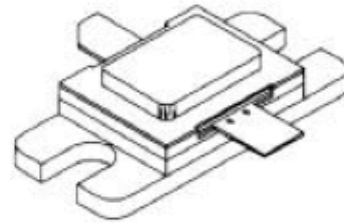
600 Watts, 50 Volts, Pulsed

Avionics 1090 MHz

GENERAL DESCRIPTION

The MS2473 is a high power COMMON BASE bipolar transistor. It is designed for pulsed systems in the 1090MHz frequency band. The device has gold thin-film metallization for proven highest MTTF. Low thermal resistance packaging reduces the junction temperature and extends device lifetime.

CASE OUTLINE M112



.400 x .500 2LFL (M112)
hermetically sealed

ABSOLUTE MAXIMUM RATINGS

Maximum Power Dissipation @ 25°C² 2300 Watts

Maximum Voltage and Current

BVcbo Collector to Base Voltage 65 Volts

BVebo Emitter to Base Voltage 3.5 Volts

Ic Collector Current 46 Amps

Maximum Temperatures

Storage Temperature - 65 to + 150°C

Operating Junction Temperature + 200°C

ELECTRICAL CHARACTERISTICS @ 25 °C

SYMBOL	CHARACTERISTICS	TEST CONDITIONS	MIN	TYP	MAX	UNITS
P_{out}	Power Out	F = 1090 MHz	600			Watts
P_{in}	Power Input = 150W	V _{cc} = 50 Volts		150		Watts
P_g	Power Gain	PW = 10 μsec	6.0			dB
η_c	Collector Efficiency	DF = 1%	35			%
RL_{IN}	Input Return Loss	F = 1090 MHz	10			dB

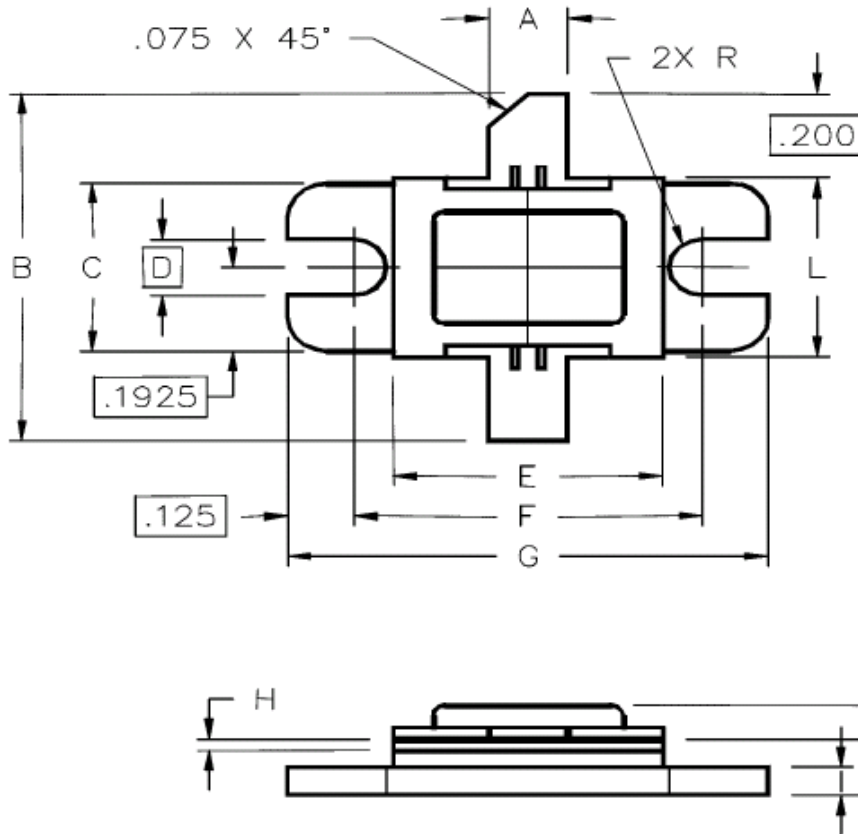
BVebo	Emitter to Base Breakdown	I _e = 10 mA	3.5			Volts
BVcbo	Collector to Base Breakdown	I _c = 25 mA	65			Volts
I_{ces}	Collector to Emitter Leakage	V _{ce} = 50V			35	mA
h_{FE}	DC - Current Gain	V _{ce} = 5V, I _c = 1A	5		200	
Θ_{jc}²	Thermal Resistance			0.06		C/W

Note 1: At rated output power and pulse conditions

2: At rated pulse conditions

Initial , January 2007

Microsemi – PPG reserves the right to change, without notice, the specifications and information contained herein. Visit our web site at www.microsemi.com or contact our factory direct.

PACKAGE STYLE M112


	MINIMUM INCHES/MM	MAXIMUM INCHES/MM		MINIMUM INCHES/MM	MAXIMUM INCHES/MM
A	.145/3,68	.155/3,93	I	.055/1,40	.065/1,65
B	.750/19,05		J	.115/2,92	.135/3,43
C	.380/9,65	.390/9,91	K		.230/5,64
D	.130/3,30		L	.395/10,03	.410/10,41
E	.495/12,57	.505/12,83			
F	.640/16,26	.655/16,64			
G	.890/22,61	.910/23,11			
H	.002/0,05	.006/0,15			

Microsemi – PPG reserves the right to change, without notice, the specifications and information contained herein. Visit our web site at www.microsemi.com or contact our factory direct.