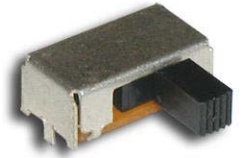


## SPECIFICATIONS

Switch Function	DP3T
Electrical Ratings	300mA @ 50VDC
Electrical Life	10,000 cycles typical
Contact Resistance	< 50 mΩ initial
Actuation Force	250 +/- 100gF
Actuator Travel	2.0 mm per position 4.0 mm total
Dielectric Strength	1000Vrms min
Insulation Resistance	> 100MΩ min
Operating Temperature	-40°C to 85°C
Storage Temperature	-40°C to 85°C



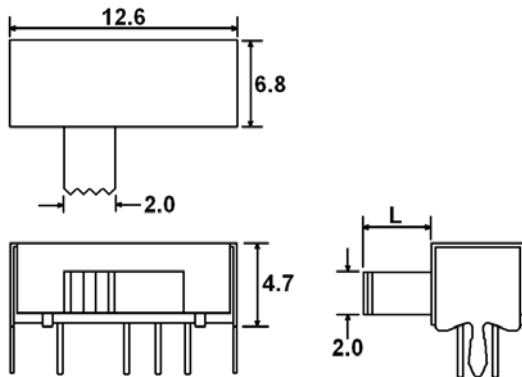
## MATERIALS

Actuator	Acetal
Housing	Steel
Base	Phenolic
Contacts	Phosphor Bronze, Silver Plated
Terminals	Brass, Silver Plated

## ORDERING INFORMATION

<b>1. Series:</b>	<b>MS2310</b>	<b>L6</b>
MS2310		
<b>2. Actuator Length:</b>		
L4 = 4mm		
L6 = 6mm		

## DIMENSIONS



## SCHEMATIC & PC LAYOUT

