

## FEATURE

0.39 inch character height  
GaP/GaP red LED dice  
High Contrast  
Wide Viewing Angle  
Common Anode - MS144A  
Common Cathode - MS144C

## ABSOLUTE MAXIMUM RATINGS (Ta=25°C)

Power Dissipation / Segment	$P_d$	40mW
Peak Forward Current / Segment	$I_{F/Pulse^*}$	60mA
Continuous Forward Current / Segment	$I_{F/DC}$	15mA
Reverse Voltage / Segment	$V_R$	5V
Operating Temperature Range	$T_{opr}$	-20 to +70°C
Storage Temperature Range	$T_{stg}$	-20 to +80°C
Lead Soldering Temperature (1/16" from body)		260°C for 5 sec.

\* Note : Pulse Width = 1mS, Duty Ratio = 1/10.

## ELECTRO-OPTICAL CHARACTERISTICS (Ta=25°C)

PARAMETER	SYMBOL	MIN	TYP	MAX	UNIT	CONDITIONS
Forward Voltage	$V_F$			3.0	V	$I_F=20mA$
Luminous Intensity	$I_V$	350			$\mu cd$	$I_F=10mA$
Segment to Segment Luminous Intensity Ratio				2:1		$I_F=10mA$
Peak Wavelength	$\lambda_p$		700		nm	$I_F=20mA$
Spectral Line Half Width	$\Delta\lambda$		100		nm	$I_F=20mA$

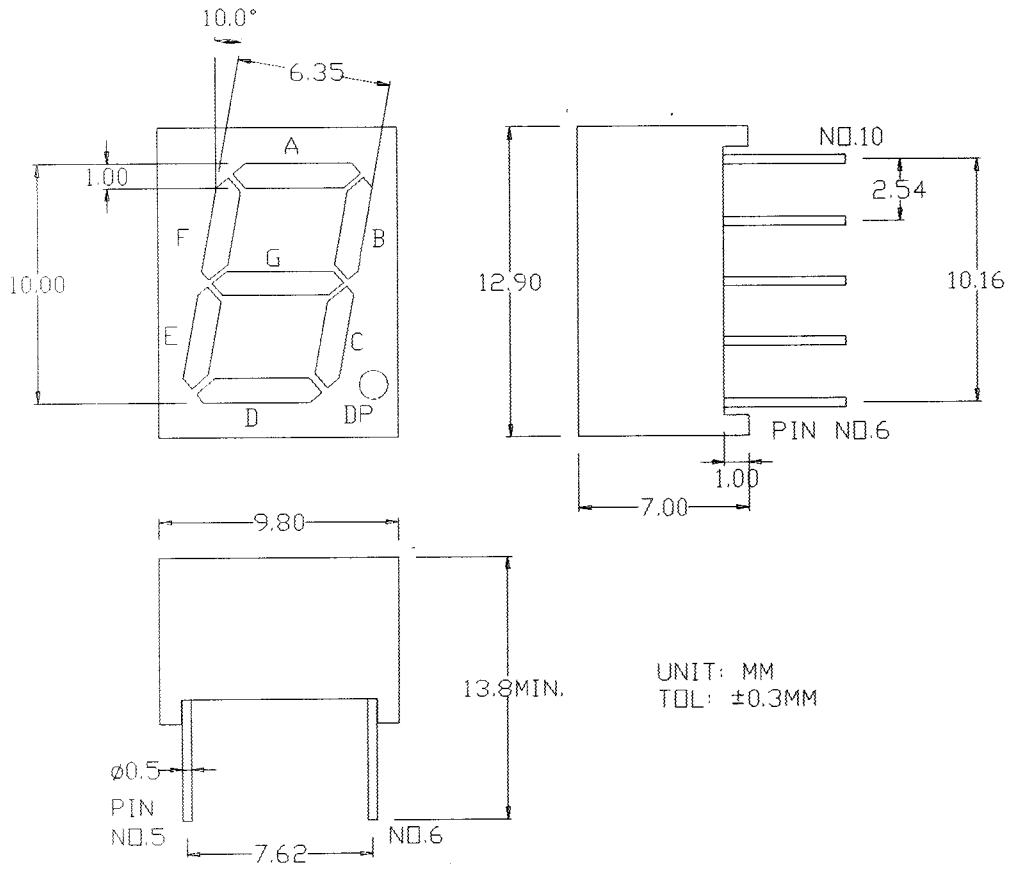


MICRO ELECTRONICS LTD.

38, Hung To Road, Microtron Building, Kwun Tong, Kowloon, Hong Kong.  
Kwun Tong P.O. Box 69477 Hong Kong. Fax No. 2341 0321 Telex:43510 Micro Hx. Tel: 2343 0181-5

Nov-97

MECHANICAL OUTLINE:



CIRCUIT DIAGRAM:

