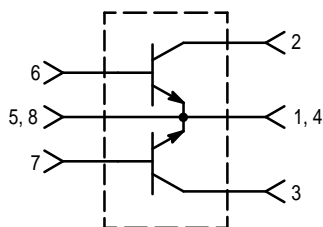


The RF Line

NPN Silicon Push-Pull RF Power Transistor

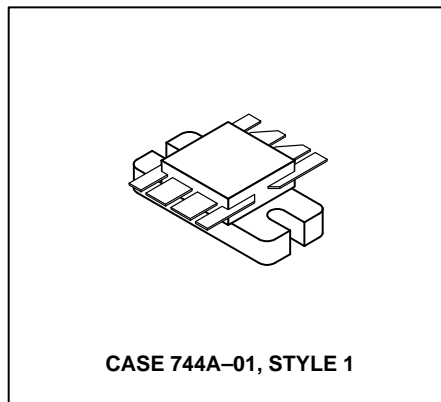
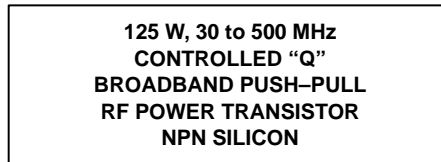
Designed primarily for wideband large-signal output and driver amplifier stages in the 30 to 500 MHz frequency range.

- Specified 28 Volt, 400 MHz Characteristics —
Output Power = 125 W
Typical Gain = 10 dB
Efficiency = 55% (Typ)
- Built-In Input Impedance Matching Networks for Broadband Operation
- Push-Pull Configuration Reduces Even Numbered Harmonics
- Gold Metallization System for High Reliability
- 100% Tested for Load Mismatch



The MRF392 is two transistors in a single package with separate base and collector leads and emitters common. This arrangement provides the designer with a space saving device capable of operation in a push-pull configuration.

PUSH-PULL TRANSISTORS



MAXIMUM RATINGS

Rating	Symbol	Value	Unit
Collector-Emitter Voltage	V_{CEO}	30	Vdc
Collector-Base Voltage	V_{CBO}	60	Vdc
Emitter-Base Voltage	V_{EBO}	4.0	Vdc
Collector Current — Continuous	I_C	16	Adc
Total Device Dissipation @ $T_C = 25^\circ\text{C}$ (1) Derate above 25°C	P_D	270 1.54	Watts W/ $^\circ\text{C}$
Storage Temperature Range	T_{stg}	-65 to +150	$^\circ\text{C}$
Junction Temperature	T_J	200	$^\circ\text{C}$

THERMAL CHARACTERISTICS

Characteristic	Symbol	Max	Unit
Thermal Resistance, Junction to Case	$R_{\theta JC}$	0.65	$^\circ\text{C}/\text{W}$

NOTE:

- This device is designed for RF operation. The total device dissipation rating applies only when the device is operated as an RF push-pull amplifier.

ELECTRICAL CHARACTERISTICS ($T_C = 25^\circ\text{C}$ unless otherwise noted)

Characteristic	Symbol	Min	Typ	Max	Unit
OFF CHARACTERISTICS (1)					
Collector–Emitter Breakdown Voltage ($I_C = 50\text{ mAdc}$, $I_B = 0$)	$V_{(BR)CEO}$	30	—	—	Vdc
Collector–Emitter Breakdown Voltage ($I_C = 50\text{ mAdc}$, $V_{BE} = 0$)	$V_{(BR)CES}$	60	—	—	Vdc
Emitter–Base Breakdown Voltage ($I_E = 5.0\text{ mAdc}$, $I_C = 0$)	$V_{(BR)EBO}$	4.0	—	—	Vdc
Collector Cutoff Current ($V_{CB} = 30\text{ Vdc}$, $I_E = 0$)	I_{CBO}	—	—	5.0	mAdc

ON CHARACTERISTICS (1)

DC Current Gain ($I_C = 1.0\text{ Adc}$, $V_{CE} = 5.0\text{ Vdc}$)	h_{FE}	40	60	100	—
--	----------	----	----	-----	---

DYNAMIC CHARACTERISTICS (1)

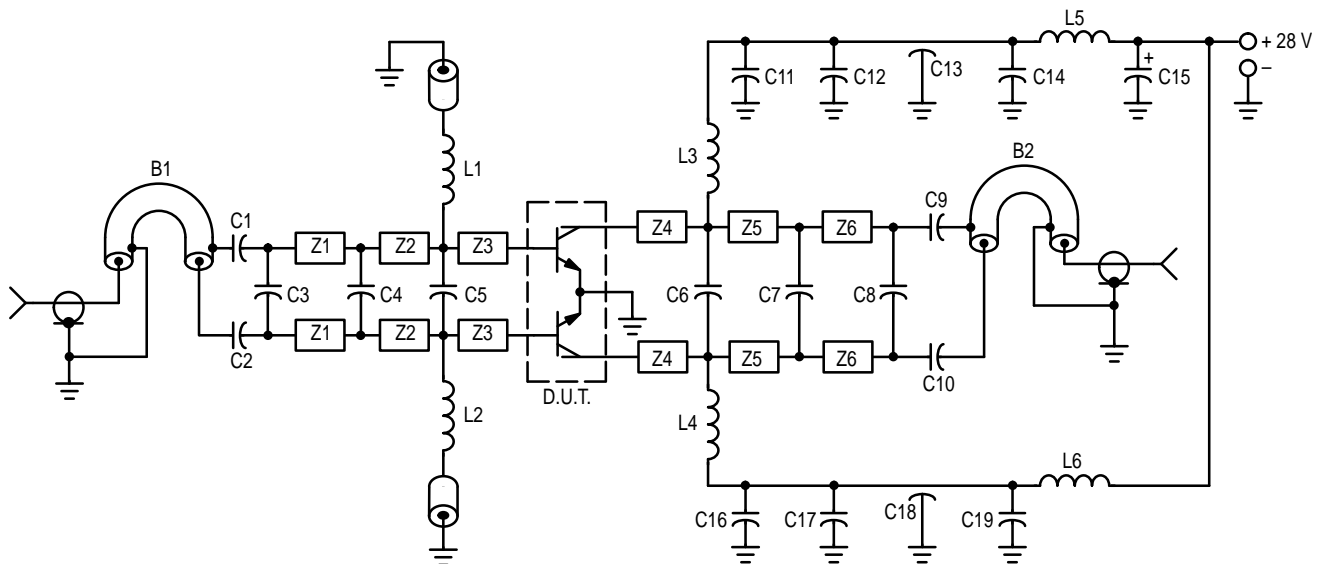
Output Capacitance ($V_{CB} = 28\text{ Vdc}$, $I_E = 0$, $f = 1.0\text{ MHz}$)	C_{ob}	—	75	95	pF
--	----------	---	----	----	----

FUNCTIONAL TESTS (2) — See Figure 1

Common–Emitter Amplifier Power Gain ($V_{CC} = 28\text{ Vdc}$, $P_{out} = 125\text{ W}$, $f = 400\text{ MHz}$)	G_{pe}	8.0	10	—	dB
Collector Efficiency ($V_{CC} = 28\text{ Vdc}$, $P_{out} = 125\text{ W}$, $f = 400\text{ MHz}$)	η	50	55	—	%
Load Mismatch ($V_{CC} = 28\text{ Vdc}$, $P_{out} = 125\text{ W}$, $f = 400\text{ MHz}$, $VSWR = 30:1$, all phase angles)	ψ	No Degradation in Output Power			

NOTES:

- Each transistor chip measured separately.
- Both transistor chips operating in push–pull amplifier.



- C1, C2 — 240 pF, 100 Mil Chip Cap (ATC) or Equivalent
 C3 — 3.6 pF, 100 Mil Chip Cap (ATC) or Equivalent
 C4, C8 — 8.2 pF, 100 Mil Chip Cap (ATC) or Equivalent
 C5, C6 — 20 pF, 100 Mil Chip Cap (ATC) or Equivalent
 C7 — 18 pF, Mini Unelco or Equivalent
 C9, C10 — 270 pF, 100 Mil Chip Cap (ATC) or Equivalent
 C11, C12, C16, C17 — 470 pF 100 Mil Chip Cap (ATC) or Equivalent
 C13, C18 — 680 pF Feedthru
 C14, C19 — 0.1 μF Erie Redcap or Equivalent
 C15 — 20 μF , 50 V

- L1, L2 — 0.15 μH Molded Choke With Ferrite Bead
 L3, L4 — 2–1/2 Turns #20 AWG, 0.200 ID
 L5, L6 — 3–1/2 Turns #18 AWG, 0.200 ID

- B1 — Balun, 50 Ω Semi–Rigid Coaxial Cable 86 Mil OD, 2" L
 B2 — Balun, 50 Ω Semi–Rigid Coaxial Cable 86 Mil OD, 2" L
 Z1 — Microstrip Line 270 Mil L x 125 Mil W
 Z2 — Microstrip Line 375 Mil L x 125 Mil W
 Z3 — Microstrip Line 280 Mil L x 125 Mil W
 Z4 — Microstrip Line 300 Mil L x 125 Mil W
 Z5 — Microstrip Line 350 Mil L x 125 Mil W
 Z6 — Microstrip Line 365 Mil L x 125 Mil W

Board Material — 0.0625" Teflon Fiberglass $\epsilon_r = 2.5 \pm 0.05$ 1 oz. Cu.
 CLAD, Double Sided

Figure 1. 400 MHz Test Fixture

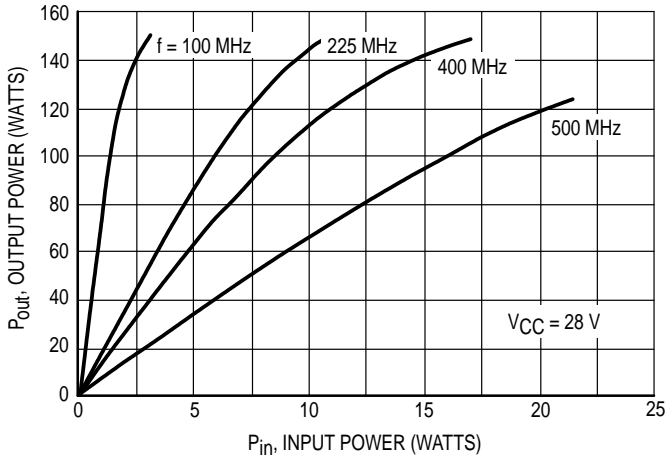


Figure 2. Output Power versus Input Power

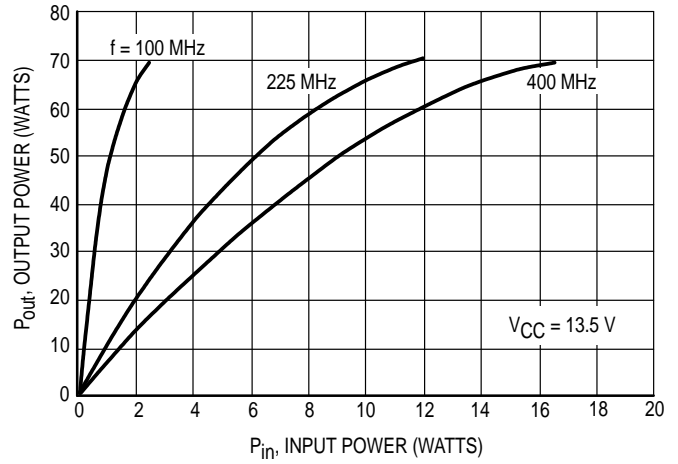


Figure 3. Output Power versus Input Power

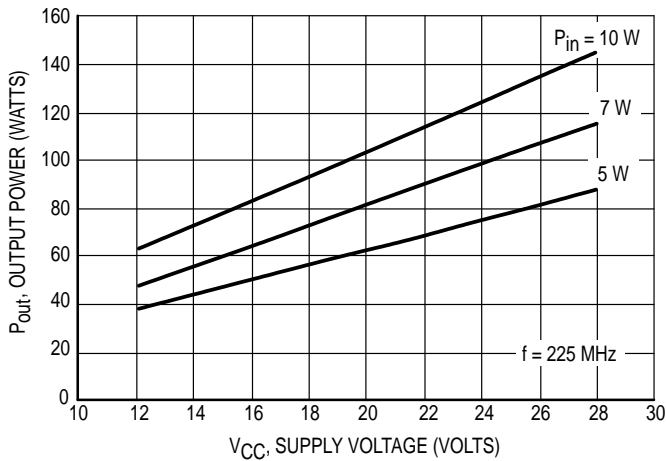


Figure 4. Output Power versus Supply Voltage

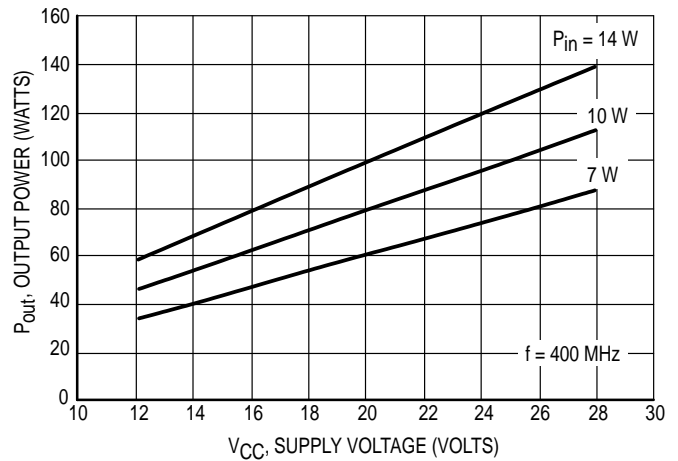


Figure 5. Output Power versus Supply Voltage

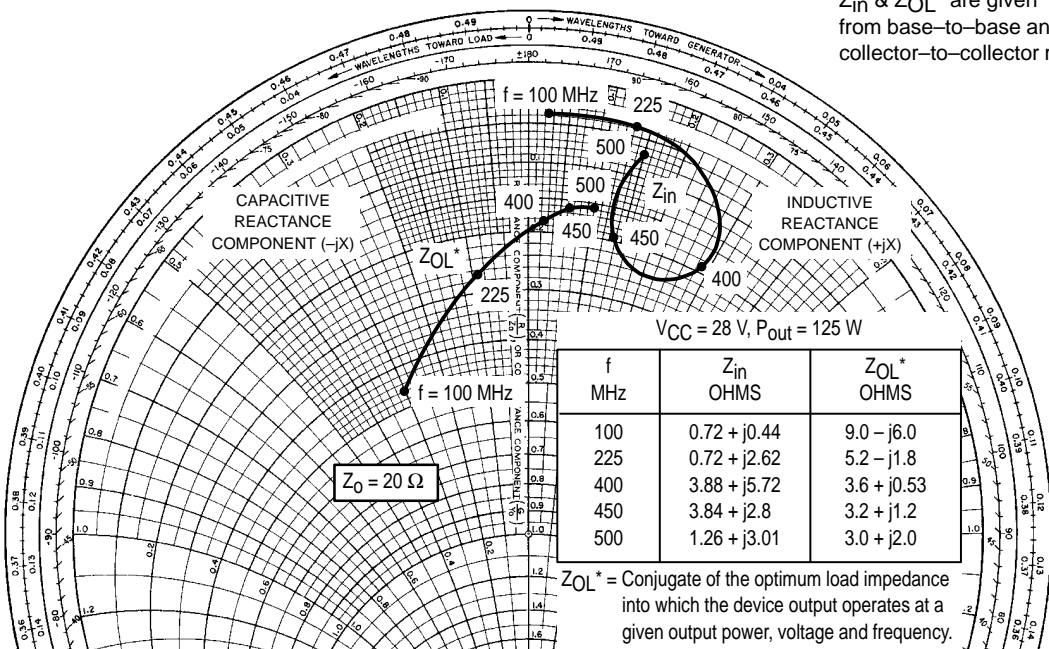
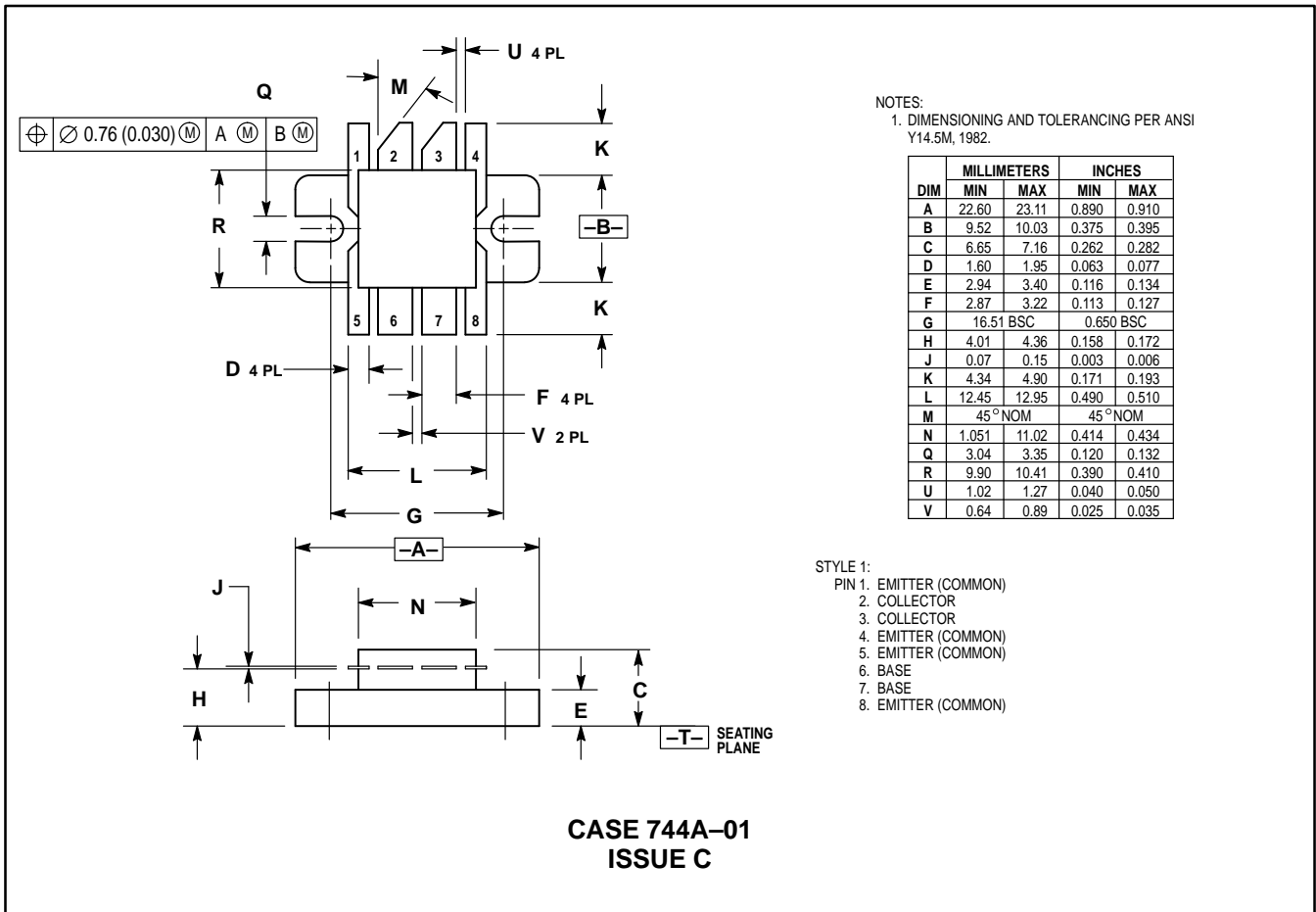


Figure 6. Series Equivalent Input/Output Impedance

PACKAGE DIMENSIONS



Specifications subject to change without notice.

- North America: Tel. (800) 366-2266, Fax (800) 618-8883
- Asia/Pacific: Tel.+81-44-844-8296, Fax +81-44-844-8298
- Europe: Tel. +44 (1344) 869 595, Fax+44 (1344) 300 020

Visit www.macom.com for additional data sheets and product information.

REV 8

tyco / Electronics

MACOM