

Monolithic crystal filter

MQF45.0-3000/02



Application

- 4 pol filter
- i.f.- filter
- use in mobile and stationary transceivers

Limiting values

		Unit	Value
Center frequency	f_0	MHz	45.0
Insertion loss		dB	≤ 3.0
Pass band at 3.0 dB		kHz	± 15.00
Ripple in pass band	$f_0 \pm 10.00$ kHz	dB	≤ 1.0
Stop band attenuation	$f_0 \pm 50$ kHz	dB	≥ 40
Alternate attenuation	$f_0 \pm 910$ kHz	dB	> 80

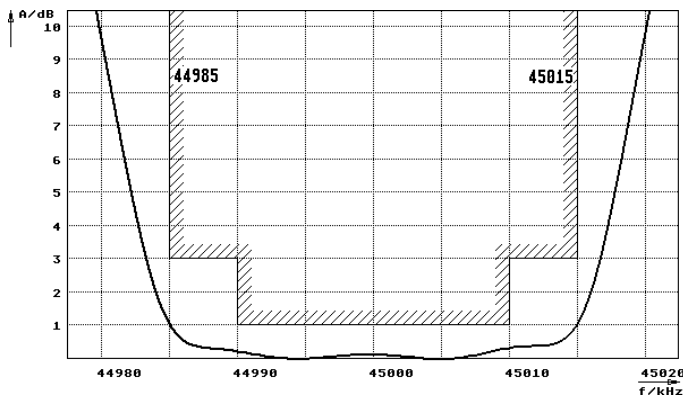
Terminating impedance Z

R1 C1		Ohm/pF	650 3
R2 C2		Ohm/pF	650 3
Coupling capacitance	Ck	pF	7.9

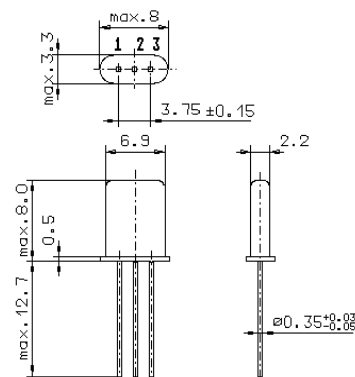
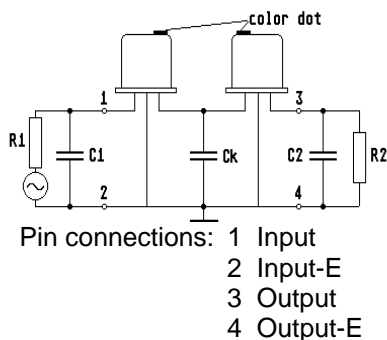
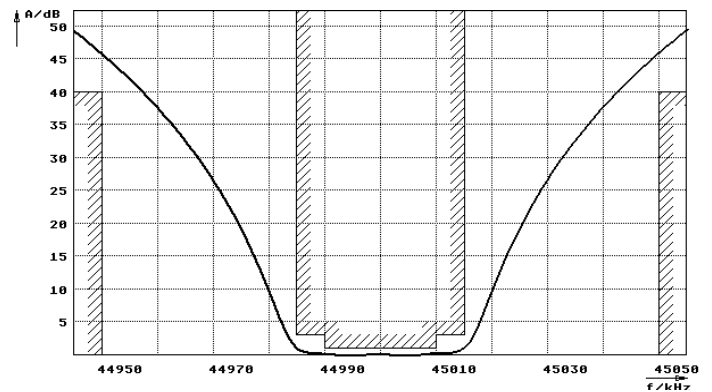
Operating temp. range		°C	-20... +70
-----------------------	--	----	------------

Characteristics MQF45.0-3000/02

Pass band



Stop band



GH9