

Monolithic crystal filter

MQF30.0-4000/01

(preliminary specification)



Application

- 2 pol filter
- i.f.- filter
- use in mobile and stationary transceivers

Limiting values

		Unit	Value
Center frequency	f_0	MHz	30.0
Insertion loss		dB	≤ 3.0
Pass band at 1.0 dB		kHz	± 20.00
Ripple in pass band	$f_0 \pm 20.00$ kHz	dB	≤ 1.0
Stop band attenuation	$f_0 \pm 125$ kHz	dB	≥ 20 except spurious
Alternate attenuation		dB	> 30 except spurious
Group delay distortion	$f_0 \pm 20$ kHz	μ s	< 3

Terminating impedance Z

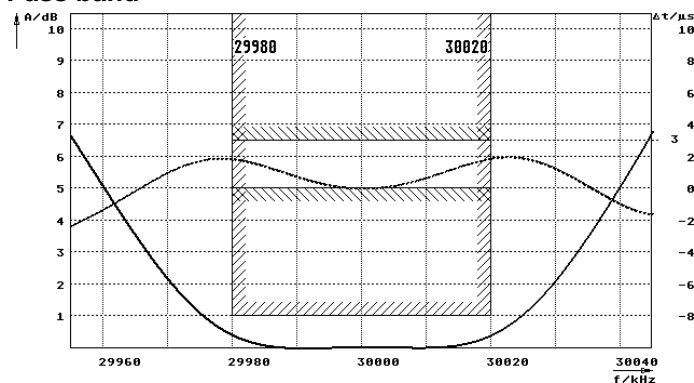
R1 C1	Ohm/pF	2600 0.80
R2 C2	Ohm/pF	2600 0.80

Operating temp. range

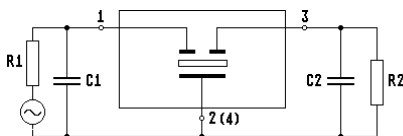
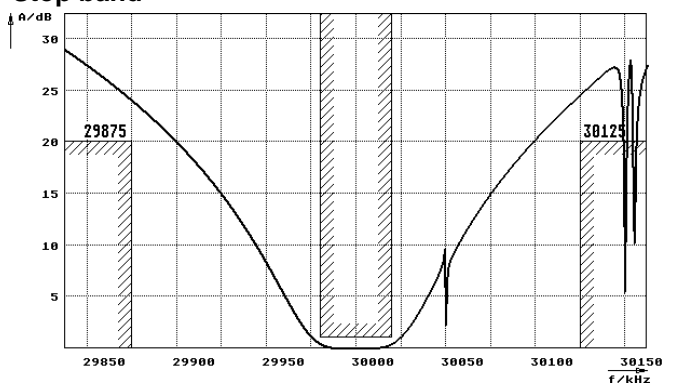
$^{\circ}$ C -20... +70

Characteristics MQF30.0-4000/01

Pass band

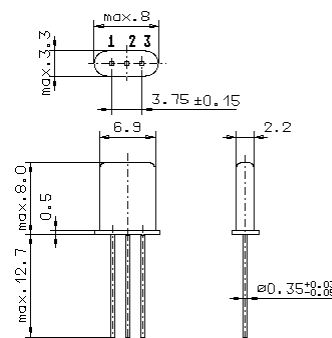


Stop band



Pin connections:

- 1 Input
- 2 Ground-Input
- 3 Output
- 4 Ground-Output



GH9