



MPR7040 - Singapore 新加坡

Multi-Protocol RFID Reader Module Gen1, ISO 18000-6C (Gen2) in PCMCIA Type II Package



Product Features

Compliant to Global Standards

- Class1 Gen1
- Class 0, 0+, Zuma
- ISO 18000-6C (Gen2)

Designed for Singapore Market*

1W Transmit Power (+30 dBm)

Antenna Ports

- Single Antenna Operation
- Switchable to 2 Separate Antennas
- 50Ω MMCX Coaxial Connectors

PCMCIA Type II Form Factor

Serial Interface 3.3V CMOS Levels, 5V tolerant

*Pending certification

Highly Scalable

WJ Communications' MPR7040 RFID multi-protocol reader module is designed specifically for the Singapore market. Operating at the UHF frequency, this product offers OEMs and System Integrators the ability to deliver highly reliable, best-in-class, high performing RFID enabled printers, RFID handholds and other RFID enabled devices. The MPR7040 reader module supports Class1, Gen1, Class 0, 0+, and ISO 18000-6C(UHF Gen2) international standards and meets the requirements to operate in Gen2 Multiple Reader Environment (MRE) mode.

Superior Performance

WJ's innovative, cost-effective and easy to integrate reader module delivers a full 1 watt of RF power and boasts two antenna ports with the flexibility to customize RFID devices to meet application specific needs. Typical applications for the MPR7040 include Handheld RFID Readers, RFID Enabled Printers, Fork Lift Readers, Portal Readers, and Mobile RFID devices.

Ease of Integration

The MPR7040 is packaged in a PCMCIA Type II PC Card™ form factor with serial interface, for ease of integration into various RFID devices.



MPR7040 - Singapore 新加坡

Multi-Protocol RFID Reader Module Gen1, ISO 18000-6C (Gen2) in PCMCIA Type II Package

Absolute Maximum Rating*

Parameter	Rating	Units
ESD Protection (per ISO 7816-1)	2	KV
Maximum Operating Voltage	6	V
Operating Case Temperature	-20 to +55	°C
Storage Temperature	-40 to +65	°C

*Operation of this device above any of these parameters may cause permanent damage.

Specifications

Operating Conditions: $V_{CC} = 5.00$ VDC, $T_{AMB} = 25^{\circ}\text{C}$, 50Ω System.

Symbol	Parameter	Min	Typ	Ma x	Units
f_{RFID}	RF Frequency—UHF Operation	923		925	MHz
f_{CH}	Channel Spacing		500		kHz
CH	Frequency Hopping Channels (See Hop Frequency Channels Table below)		2		Channels
V_{CC}	Supply Voltage @ 1.3A, Connected to System*	4.900	5.00	5.5	V
$I_{PEAK\ OP}$	Peak Operating Current		1.1	1.3	A
P_{TX-Max}	Maximum Transmit Power		+29.6	+30	dBm
P_{RANGE}	Power Control Range		12		dB
	Step Size		1		dB
$T_{OPERATING}$	Operating Temperature Range	-20		+50	°C
S_f	Frequency Stability			± 10	ppm

*Measured at connector for 1.3A load.



MPR7040 - Singapore 新加坡

Multi-Protocol RFID Reader Module Gen1, ISO 18000-6C (Gen2) in PCMCIA Type II Package

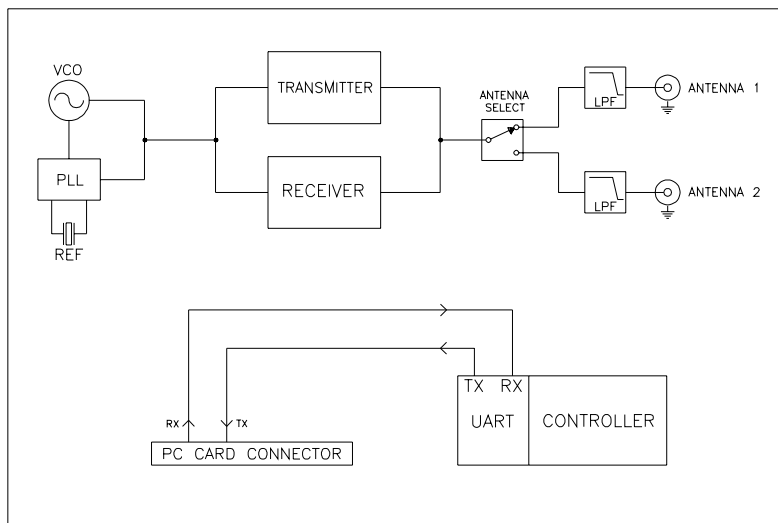
Protocol Support

Protocol	ID Read	ID Write	Data Read	Data Write	Password Write	Lock	Kill
EPC Class1 Gen1	X	X			X	X	X
Class 0	X		X				X
Class 0+	X	X	X	X	X	X	X
Class 0+ (ZUMA)	X	X	X	X	X	X	X
ISO 18000-6C (UHF Gen2)	X	X	X	X	X	X	X

Hop Frequency Channels

Channel	Hop Frequencies (MHz)
1	923.75
2	924.25

Block Diagram



*Simplified block diagram of the MPR7020 reader module

