

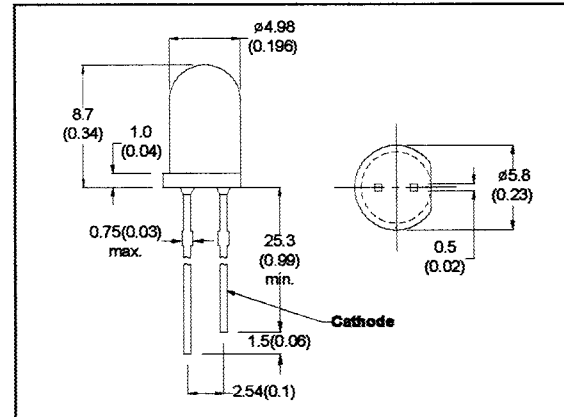
# MICRO ELECTRONICS

MOB51TBS-X

ULTRA HIGH  
BRIGHTNESS  
ORANGE LED LAMP

## DESCRIPTION

MOB51TBS-X is an ultra high brightness output orange LED lamp encapsulated in a 5mm diameter, clear transparent lens.



- All Dimension in mm (inch)
- No Scale
- Tol: +/- 0.3mm

## ABSOLUTE MAXIMUM RATINGS

Power Dissipation @ Ta=25°C	90mW
Forward Current, DC (IF)	30mA
Reverse Voltage	5V
Operating & Storage Temperature Range	-55 to +100°C
Lead Soldering Temperature (1/16" from body)	260°C for 5 sec.

## ELECTRO-OPTICAL CHARACTERISTICS (Ta=25°C)

PARAMETER	SYMBOL	MIN	TYP	MAX	UNIT	CONDITIONS
Forward Voltage	VF		2.0	3.0	V	IF=20mA
Reverse Breakdown Voltage	BVR	5			V	IR=100μA
Luminous Intensity	IV				mcd	IF=20mA
	-1	500	850		mcd	IF=20mA
	-2	850	1200		mcd	IF=20mA
	-3	1200	1500		mcd	IF=20mA
Peak Wavelength	λp		610		nm	IF=20mA
Spectral Line Half Width	Δλ		17	20	nm	IF=20mA
Viewing Angle	2θ 1/2		30		degree	IF=20mA

Rev.A.

MICRO ELECTRONICS LTD.

38, Hung To Road, Microtron Building, Kwun Tong, Kowloon, Hong Kong.

Kwun Tong P.O. Box 69477 Hong Kong. Fax No. 2341 0321 Telex:43510 Micro Hx. Tel: 2343 0181-5

Sep-99