

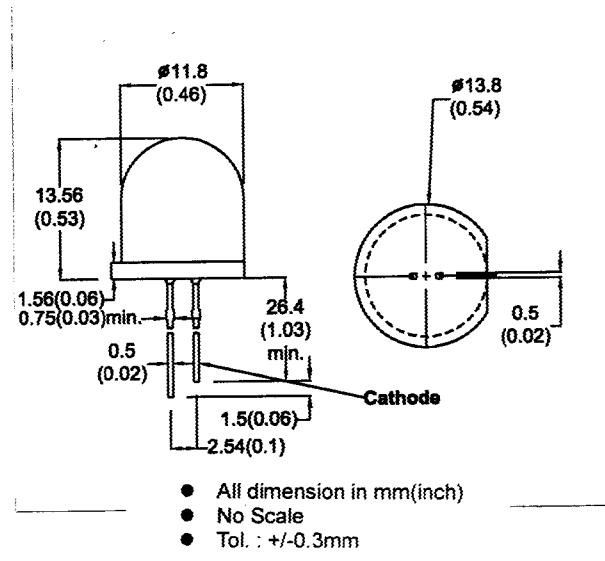
MICRO ELECTRONICS

MOB120DA-0

ULTRA HIGH
BRIGHTNESS
ORANGE LED LAMP

DESCRIPTION

MOB120DA-0 is ultra high brightness output AlGaInP orange LED lamp encapsulated in a 12mm diameter large package, orange diffused lens.



ABSOLUTE MAXIMUM RATINGS

Power Dissipation @ Ta=25°C	120mW
Forward Current, DC (IF)	30mA
Reverse Voltage	5V
Operating & Storage Temperature Range	-55 to +100°C
Lead Soldering Temperature (1/16" form body)	260°C for 5 sec.

ELECTRO-OPTICAL CHARACTERISTICS (Ta=25°C)

PARAMETER	SYMBOL	MIN	TYP	MAX	UNIT	CONDITIONS
Forward Voltage	VF		2.1	3.0	V	IF=20mA
Reverse Breakdown Voltage	BVR	5			V	IR=100μA
Luminous Intensity	IV	30	50			IF=20mA
Peak Wavelength	λp		620		nm	IF=20mA
Spectral Line Half Width	Δλ		17	20	nm	IF=20mA
Viewing Angle	2θ 1/2		66		degree	IF=20mA



MICRO ELECTRONICS LTD.

36, Hung To Road, Microtron Building, Kwun Tong, Kowloon, Hong Kong.

Kwun Tong P.O. Box 69477 Hong Kong. Fax No. 2341 0321 Telex:43510 Micro Hx. Tel: 2343 0181-5