



# MJE2955T

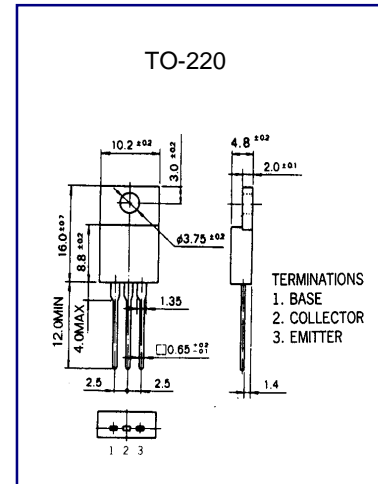
# PNP PLANAR SILICON TRANSISTOR

## AUDIO POWER AMPLIFIER DC TO DC CONVERTER

- High Current Capability
- High Power Dissipation
- Complementary to MJE3055T

### ABSOLUTE MAXIMUM RATING (T<sub>A</sub>=25°C)

Characteristic	Symbol	Rating	Unit
Collector-Base Voltage	V <sub>CB0</sub>	-60	V
Collector-Emitter Voltage	V <sub>CE0</sub>	-60	V
Emitter-Base voltage	V <sub>EBO</sub>	-6	V
Collector Current (DC)	I <sub>C</sub>	-10	A
Collector Dissipation	P <sub>C</sub>	75	W
Junction Temperature	T <sub>j</sub>	150	°C
Storage Temperature	T <sub>stg</sub>	-55~150	°C



### ELECTRICAL CHARACTERISTICS (T<sub>A</sub>=25°C)

Characteristic	Symbol	Test Condition	Min	Typ	Max	Unit
Collector Base Breakdown Voltage	BV <sub>CB0</sub>	I <sub>C</sub> =-5 mA I <sub>E</sub> =0	-120			V
Collector Emitter Breakdown Voltage	BV <sub>CE0</sub>	I <sub>C</sub> =-10 mA R <sub>BE</sub> =∞	-120			V
Emitter Base Breakdown Voltage	BV <sub>EBO</sub>	I <sub>E</sub> =-5mA I <sub>C</sub> =0	-6			V
Collector Cutoff Current	I <sub>CB0</sub>	V <sub>CB</sub> =-60V I <sub>E</sub> =0			-0.1	mA
Emitter Cutoff Current	I <sub>EBO</sub>	V <sub>EB</sub> =-4V I <sub>C</sub> =0			-0.1	mA
DC Current Gain	h <sub>FE</sub>	V <sub>CE</sub> =-5V I <sub>C</sub> =-4A	20			
Collector- Emitter Saturation Voltage	V <sub>CE(sat)</sub>	I <sub>C</sub> =-4A I <sub>B</sub> =-0.4A			-1.1	V