

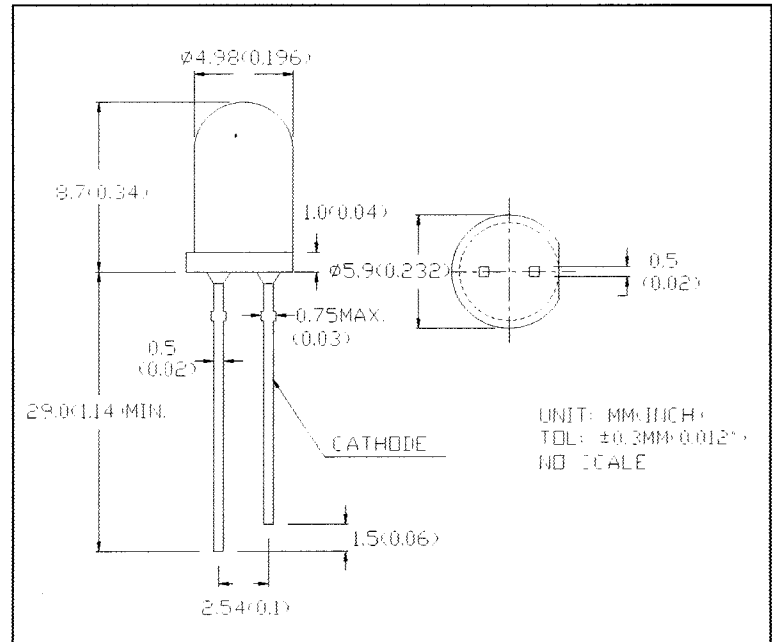
# MELECTRONICSICRO

**MGB51CB-1**

ULTRA HIGH  
BRIGHTNESS  
GREEN LED LAMP

## DESCRIPTION

MGB51CB-1 is a high brightness green LED lamp encapsulated in a 5.0mm diameter green transparent lens.



## ABSOLUTE MAXIMUM RATINGS

Power Dissipation @ Ta=25°C	100mw
Forward Current, DC (IF)	30mA
Reverse Voltage	5V
Operating & Storage Temperature Range	-55 to +100°C
Lead Soldering Temperature (1/16" from body)	260°C for 5 sec.

## ELECTRO-OPTICAL CHARACTERISTICS (Ta=25°C)

PARAMETER	SYMBOL	MIN	TYP	MAX	UNIT	CONDITIONS
Forward Voltage	VF			3.0	V	IF= 20mA
Reverse Breakdown Voltage	BVR	5			V	IR=100μA
Luminous Intensity	IV	200	400		mcd	IF= 20mA
Peak Wavelength	λp		570		nm	IF= 20mA
Spectral Line Half Width	Δλ		30		nm	IF= 20mA
Viewing Angle	2θ 1/2		30		degree	IF= 20mA



MICRO ELECTRONICS LTD.

38, Hung To Road, Microtron Buiding, Kwun Tong, Kowloon, Hong Kong.  
Kwun Tong P.O. Box 69477 Hong Kong. Fax No. 2341 0321 Telex:43510 Micro Hx. Tel: 2343 0181-5

Jan-01