

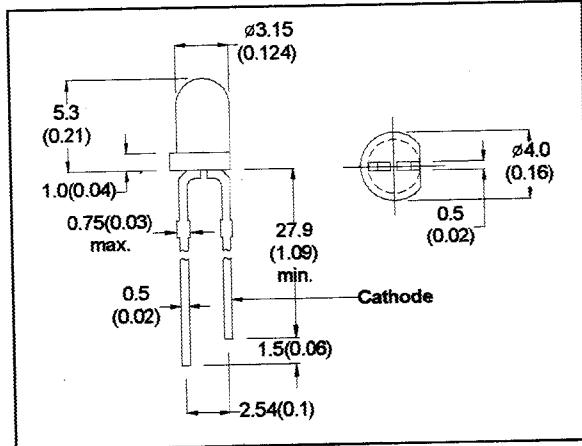
MICRO ELECTRONICS

(MGB31TA)

ULTRA HIGH
BRIGHTNESS
GREEN LED LAMP

DESCRIPTION

MGB31TA-X is high efficiency green LED lamp encapsulated in a 3mm diameter clear transparent lens.



- All Dimension in mm (inch)
- No Scale
- Tol : +/- 0.3mm

ABSOLUTE MAXIMUM RATINGS

Power Dissipation @ Ta=25°C	90mW
Forward Current, DC (IF)	30mA
Reverse Voltage	5V
Operating & Storage Temperature Range	-55 to +100°C
Lead Soldering Temperature (1/16" from body)	260°C for 5 sec.

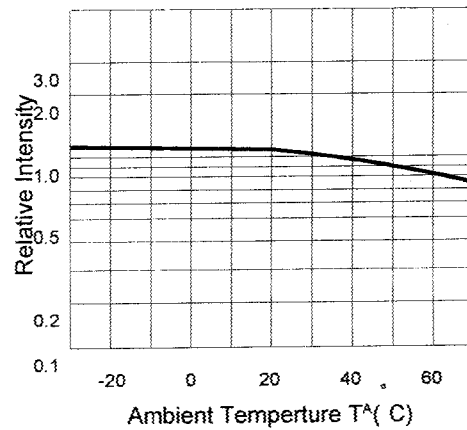
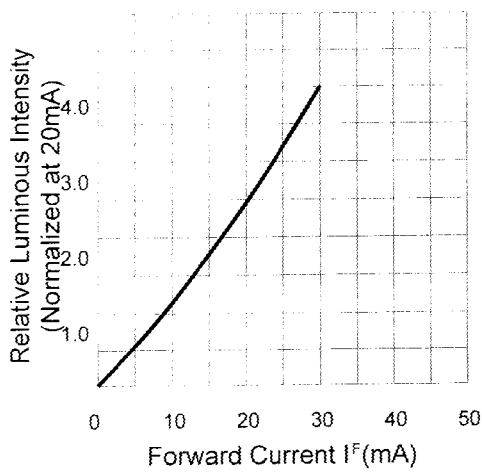
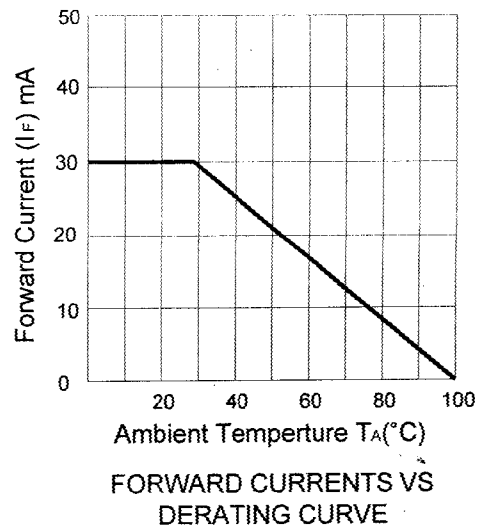
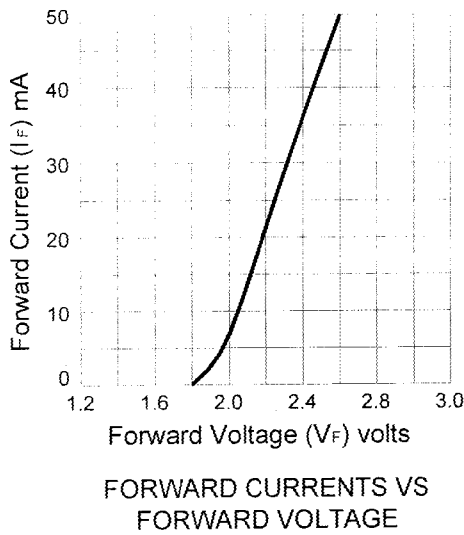
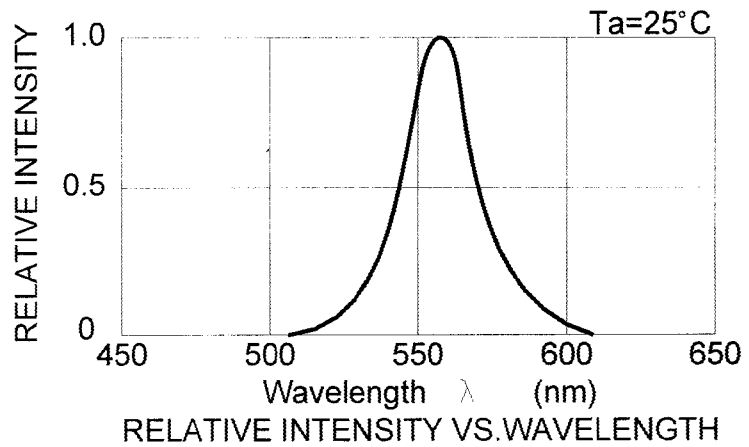
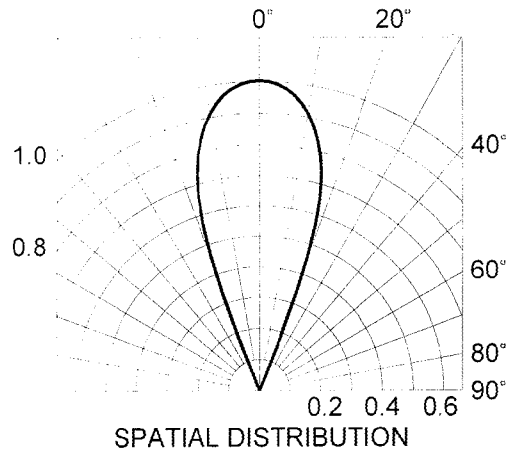
ELECTRO-OPTICAL CHARACTERISTICS (Ta=25°C)

PARAMETER	SYMBOL	MIN	TYP	MAX	UNIT	CONDITIONS
Forward Voltage	VF		2.2	3.0	V	IF=20mA
Reverse Breakdown Voltage	BVR	5			V	IR=100 μA
Luminous Intensity	IV				mcd	IF=20mA
MGB31TA or MGB31TA-1		150	250		mcd	IF=20mA
MGB31TA-2		220	300		mcd	IF=20mA
MGB31TA-3		280	360		mcd	IF=20mA
Peak Wavelength	λp		570		nm	IF=20mA
Spectral Line Half Width	Δλ		30		nm	IF=20mA
Viewing Angle	2θ 1/2		40		degree	IF=20mA

MICRO ELECTRONICS LTD.

38, Hung To Road, Microtron Building, Kwun Tong, Kowloon, Hong Kong.

Kwun Tong P.O. Box 69477 Hong Kong. Fax No. 2341 0321 Telex: 43510 Micro Hx. Tel: 2343 0181-5



RELATIVE LUMINOUS INTENSITY VS FORWARD CURRENT

LUMINOUS INTENSITY VS AMBIENT TEMPERATURE CHARACTERISTICS



MICRO ELECTRONICS LTD.

38, Hung To Road, Microtron Building, Kwun Tong, Kowloon, Hong Kong.

Kwun Tong P.O. Box 69477 Hong Kong. Fax No. 2341 0321 Telex:43510 Micro Hx. Tel: 2343 0181-5