

ABSOLUTE MAXIMUM RATINGS

Power Dissipation	Pd	70mW
Continuous Forward Current	I _F	30mA
Reverse Voltage	V _R	5V
Operating Temperature Range	Topr	-20 to +70°C
Storage Temperature Range	Tstg	-25 to +75°C

ELECTRO-OPTICAL CHARACTERISTICS (CHIP) (Ta=25°C)

PARAMETER	SYMBOL	MIN	TYP	MAX	UNIT	CONDITIONS
Forward Voltage	V _F		3.3	3.6	V	IF=20mA
Reverse Current	I _R			100	μA	VR=5V
Chromaticity Coordinates	x		0.27			IF=20mA
	y		0.31			IF=20mA

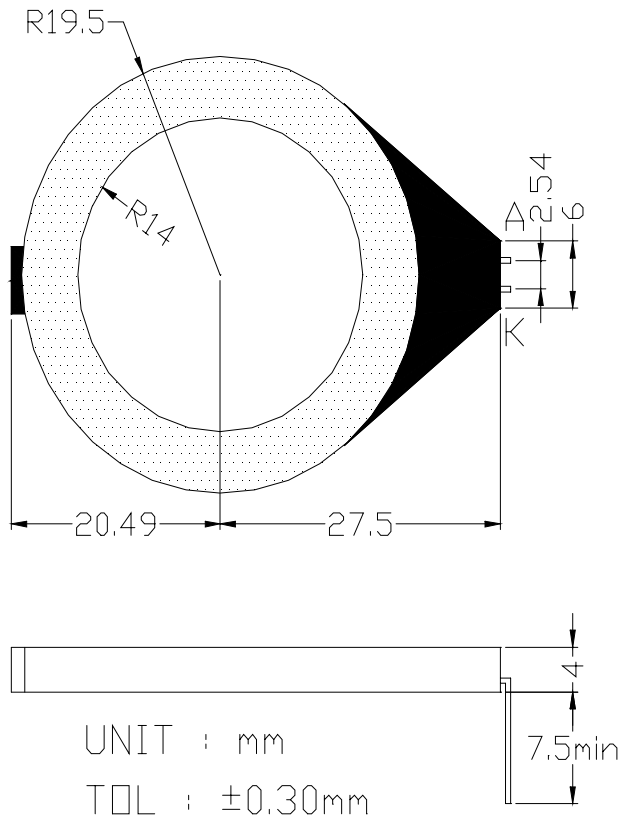
ELECTRO-OPTICAL CHARACTERISTICS (ME4839W)(Ta=25°C)

PARAMETER	SYMBOL	MIN	TYP	MAX	UNIT	CONDITIONS
Forward Current/Chip	I _F		20		mA	VS=5V DC,R=85Ω
Reverse Current	I _R			100	μA	VR=5V
Chromaticity Coordinates	x		0.27			VS=5V DC,R=85Ω
	y		0.31			VS=5V DC,R=85Ω
Brightness	B	20	30		cd/m ²	VS=5V DC,R=85Ω



ME4839W

Mechanical Outline:



Recommended Circuit: (R=85Ω)

