

ABSOLUTE MAXIMUM RATINGS

Power Dissipation	Pd	8*120mW
Continuous Forward Current	IF	8*30mA
Reverse Voltage	VR	5V
Operating Temperature Range	Topr	-20 to +70°C
Storage Temperature Range	Tstg	-25 to +75°C

ELECTRO-OPTICAL CHARACTERISTICS (CHIP) (Ta=25°C)

PARAMETER	SYMBOL	MIN	TYP	MAX	UNIT	CONDITIONS
Forward Voltage	V _F		3.2	3.6	V	IF=20mA
Reverse Current	I _R			100	μA	VR=5V
Dominant Wavelength	λ _d	470		475	nm	IF=20mA
Spectral Line Half Width	Δλ		30		nm	IF=20mA

ELECTRO-OPTICAL CHARACTERISTICS (ME12629B-R) (Ta=25°C)

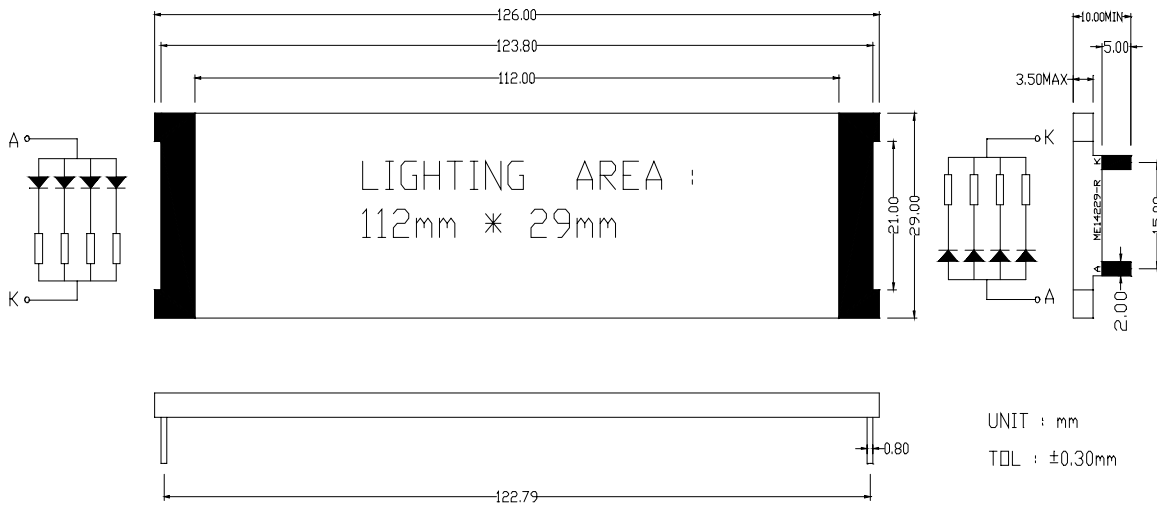
PARAMETER	SYMBOL	MIN	TYP	MAX	UNIT	CONDITIONS
Forward Current/Chip	I _F		16		mA	VS=5V DC,R=110Ω
Reverse Current/Chip	I _R			100	μA	VR=5V
Dominant Wavelength	λ _d	470		475	nm	VS=5V DC,R=110Ω
Spectral Line Half Width	Δλ		30		nm	VS=5V DC,R=110Ω
Brightness	B	180	200		cd/m ²	VS=5V DC,R=110Ω

CAUTION

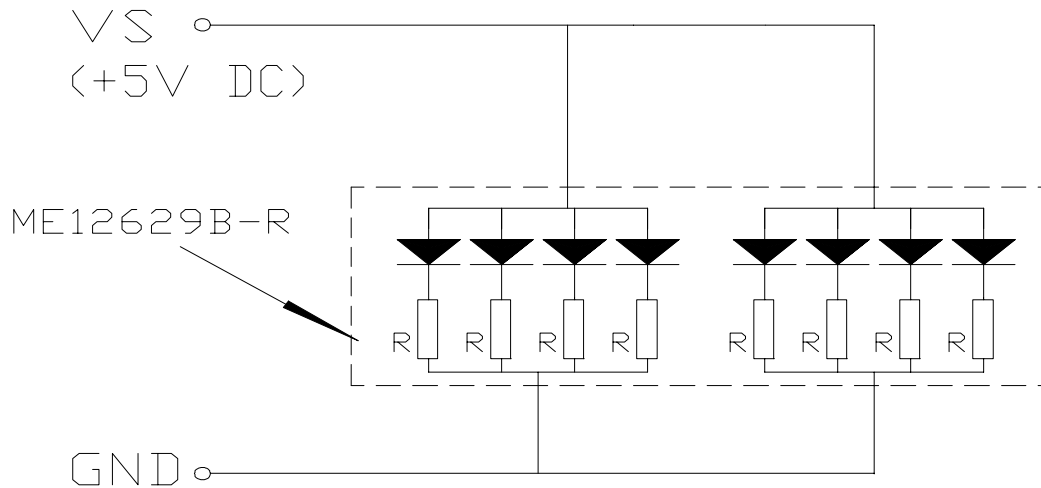
Static electricity and surge damages the backlight ,It is recommended to use a wrist band or anti-eletrostatic glove when handling the backlight . All devices,equipment and machinery must be properly grounded.



Mechanical Outline:



Recommended Circuit: (R=110Ω)



Parallel Connection

REV : A

10/5/2006

P 2 OF 2