

## 256KB and 512KB BurstRAM™ Secondary Cache Module for Pentium™

The MCM72BA32SG and MCM72BA64SG are designed to provide a burstable, high performance, 256K/512K L2 cache for the Pentium microprocessor. The modules are configured as 32K x 72 and 64K x 72 bits in a 136 pin dual readout single inline memory module (DIMM). The module uses four of Motorola's MCM67B518 or MCM67B618 BiCMOS BurstRAMs.

Bursts can be initiated with either address status processor ( $\overline{ADSP}$ ) or address status controller ( $\overline{ADSC}$ ). Subsequent burst addresses are generated internal to the BurstRAM by the burst advance ( $\overline{ADV}$ ) input pin.

Write cycles are internally self timed and are initiated by the rising edge of the clock (K) input. Eight write enables are provided for byte write control.

The cache family is designed to interface with popular Pentium cache controllers with on board TAG.

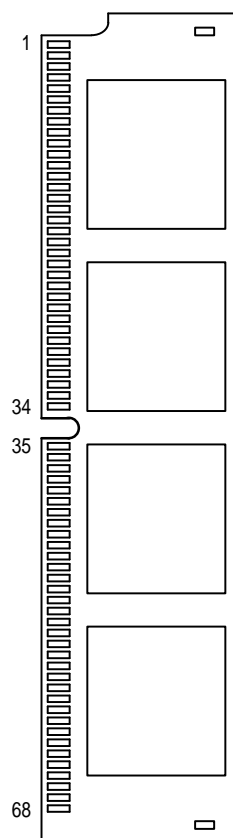
PD0 – PD2 are reserved for density and speed identification.

- Pentium-style Burst Counter on Board
- Dual Readout SIMM for Circuit Density
- Single 5 V  $\pm$  5% Power Supply
- All Inputs and Outputs are TTL Compatible
- Three State Outputs
- Byte Parity
- Byte Write Capability
- Fast Module Clock Rates: 66 MHz, 60 MHz, 50MHz
- Decoupling Capacitors for each Fast Static RAM
- High Quality Multi-Layer FR4 PWB With Separate Power and Ground Planes
- I/Os are 3.3 V Compatible

BurstRAM is a trademark of Motorola.  
Pentium is a trademark of Intel Corp.

**MCM72BA32**  
**MCM72BA64**

136-LEAD DIMM  
CASE 1104-01  
TOP VIEW



**PIN ASSIGNMENT  
136-LEAD DIMM  
TOP VIEW**

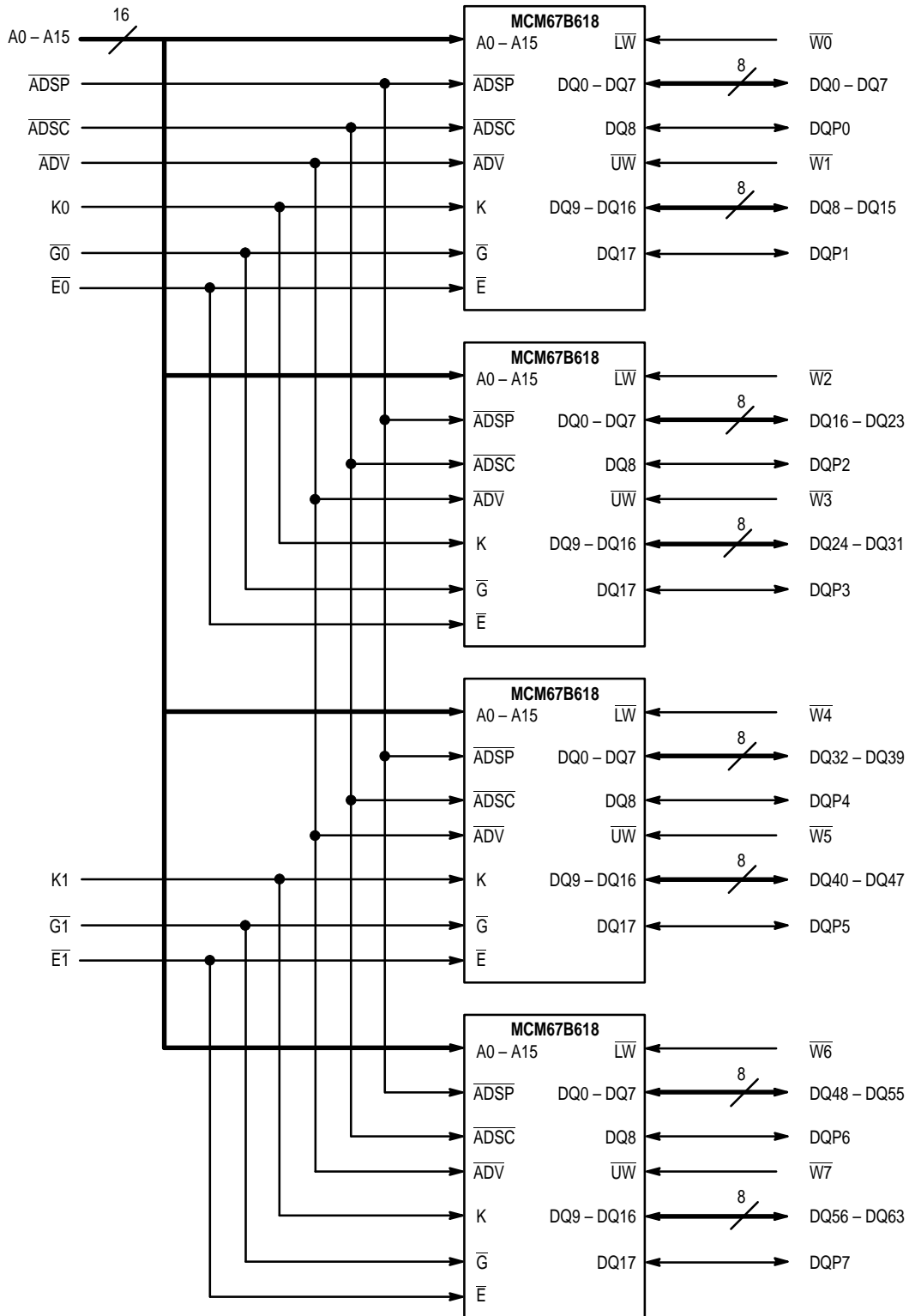
PD2	PD1	PD0	Cache Size	Module
V <sub>SS</sub>	NC	NC	512KB	72BA64SG66/60
V <sub>SS</sub>	NC	V <sub>SS</sub>	512KB	72BA64SG50
V <sub>SS</sub>	V <sub>SS</sub>	NC	256KB	72BA32SG66/60
V <sub>SS</sub>	V <sub>SS</sub>	V <sub>SS</sub>	256KB	72BA32SG50

PIN NAMES	
A0 – A15	Address Inputs
K0, K1	Clock
$\overline{W0} - \overline{W7}$	Byte Write
$\overline{E0}, \overline{E1}$	Module Enable
$\overline{G0}, \overline{G1}$	Module Output Enable
DQ0 – DQ63	Cache Data Input/Output
DQP0 – DQP7	Data Parity Input/Output
$\overline{ADSC}$	Controller Address Status
$\overline{ADSP}$	Processor Address Status
$\overline{ADV}$	Burst Advance
PD0 – PD2	Presence Detect
V <sub>CC</sub>	+ 5 V Power Supply
V <sub>SS</sub>	Ground

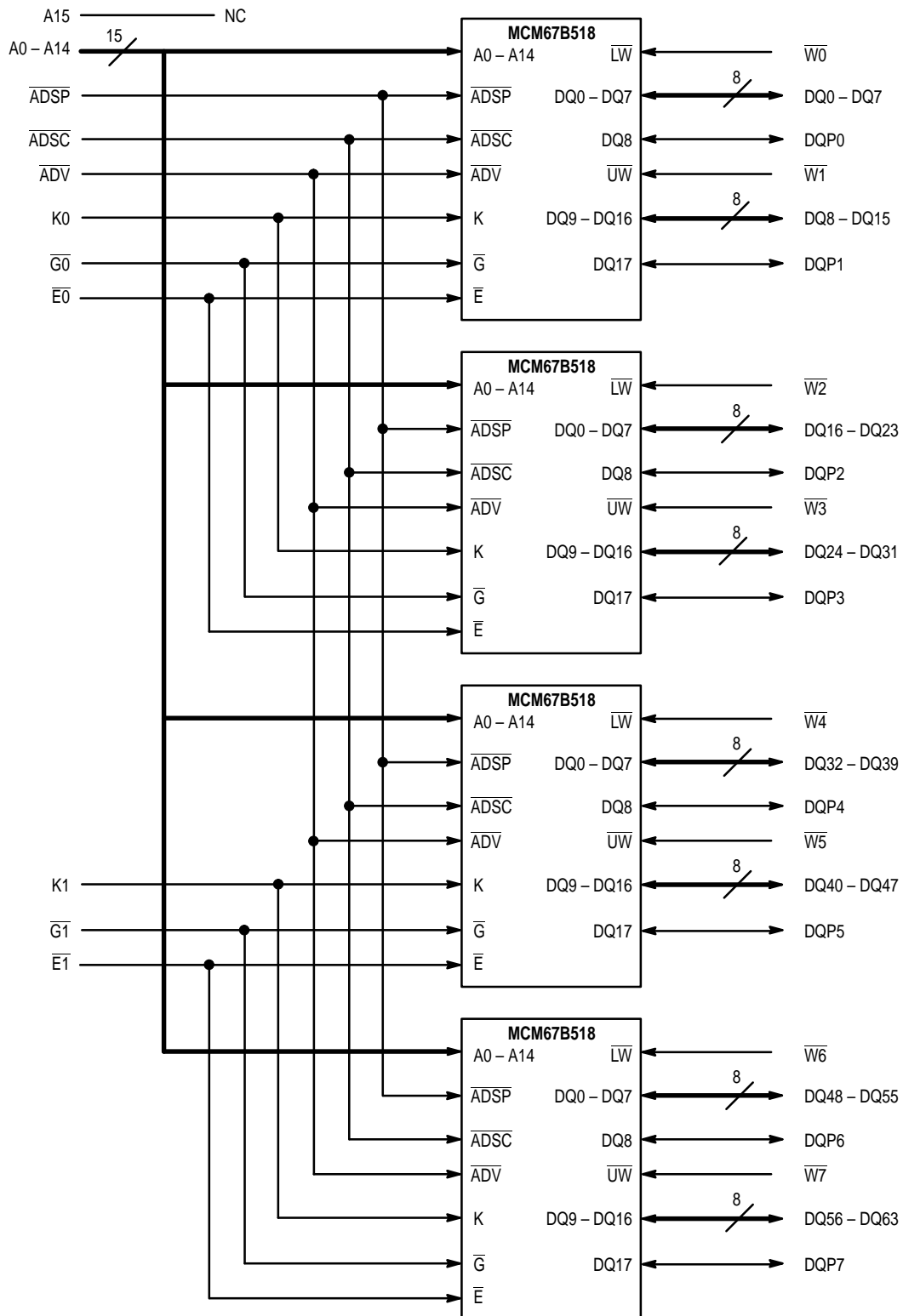
PD0	1	69	V <sub>SS</sub>
PD1	2	70	PD2
DQ0	3	71	V <sub>CC</sub>
DQ1	4	72	DQ2
V <sub>CC</sub>	5	73	DQ3
DQ4	6	74	DQ5
DQ6	7	75	DQ7
DQP0	8	76	V <sub>SS</sub>
DQ8	9	77	DQ9
DQ10	10	78	DQ11
V <sub>SS</sub>	11	79	DQ12
K0	12	80	V <sub>SS</sub>
V <sub>SS</sub>	13	81	DQ13
DQ14	14	82	DQ15
V <sub>CC</sub>	15	83	DQP1
DQ16	16	84	V <sub>SS</sub>
DQ17	17	85	DQ18
DQ19	18	86	DQ20
DQ21	19	87	DQ22
V <sub>CC</sub>	20	88	DQ23
DQP2	21	89	V <sub>SS</sub>
DQ24	22	90	DQ25
DQ26	23	91	DQ27
DQ28	24	92	DQ29
V <sub>SS</sub>	25	93	DQ30
DQ31	26	94	V <sub>SS</sub>
DQP3	27	95	$\overline{E0}$
V <sub>SS</sub>	28	96	$\overline{W1}$
$\overline{W0}$	29	97	$\overline{W3}$
$\overline{W2}$	30	98	$\overline{G0}$
$\overline{ADSP}$	31	99	$\overline{ADSC}$
$\overline{ADV}$	32	100	V <sub>SS</sub>
V <sub>CC</sub>	33	101	$\overline{G1}$
$\overline{W4}$	34	102	$\overline{W5}$
$\overline{W6}$	35	103	$\overline{W7}$
DQ32	36	104	$\overline{E1}$
DQ33	37	105	DQ34
V <sub>SS</sub>	38	106	DQ35
DQ36	39	107	DQ37
DQ38	40	108	V <sub>CC</sub>
DQ39	41	109	DQP4
DQ40	42	110	DQ41
V <sub>CC</sub>	43	111	DQ42
DQ43	44	112	DQ44
DQ45	45	113	V <sub>SS</sub>
DQ46	46	114	DQ47
DQP5	47	115	DQ48
V <sub>SS</sub>	48	116	DQ49
K1	49	117	V <sub>SS</sub>
V <sub>SS</sub>	50	118	DQ50
DQ52	51	119	DQ51
DQ53	52	120	DQ54
DQ55	53	121	DQ56
DQP6	54	122	V <sub>SS</sub>
V <sub>CC</sub>	55	123	DQ57
DQ58	56	124	DQ59
DQ60	57	125	DQ61
DQ62	58	126	DQ63
DQP7	59	127	V <sub>CC</sub>
A0	60	128	A1
A2	61	129	A3
A4	62	130	A5
A6	63	131	A7
A8	64	132	NC
A10	65	133	A9
A12	66	134	A11
A14	67	135	A13
V <sub>SS</sub>	68	136	A15*

\* This pin on the MCM72BA32 is a No Connect (NC)

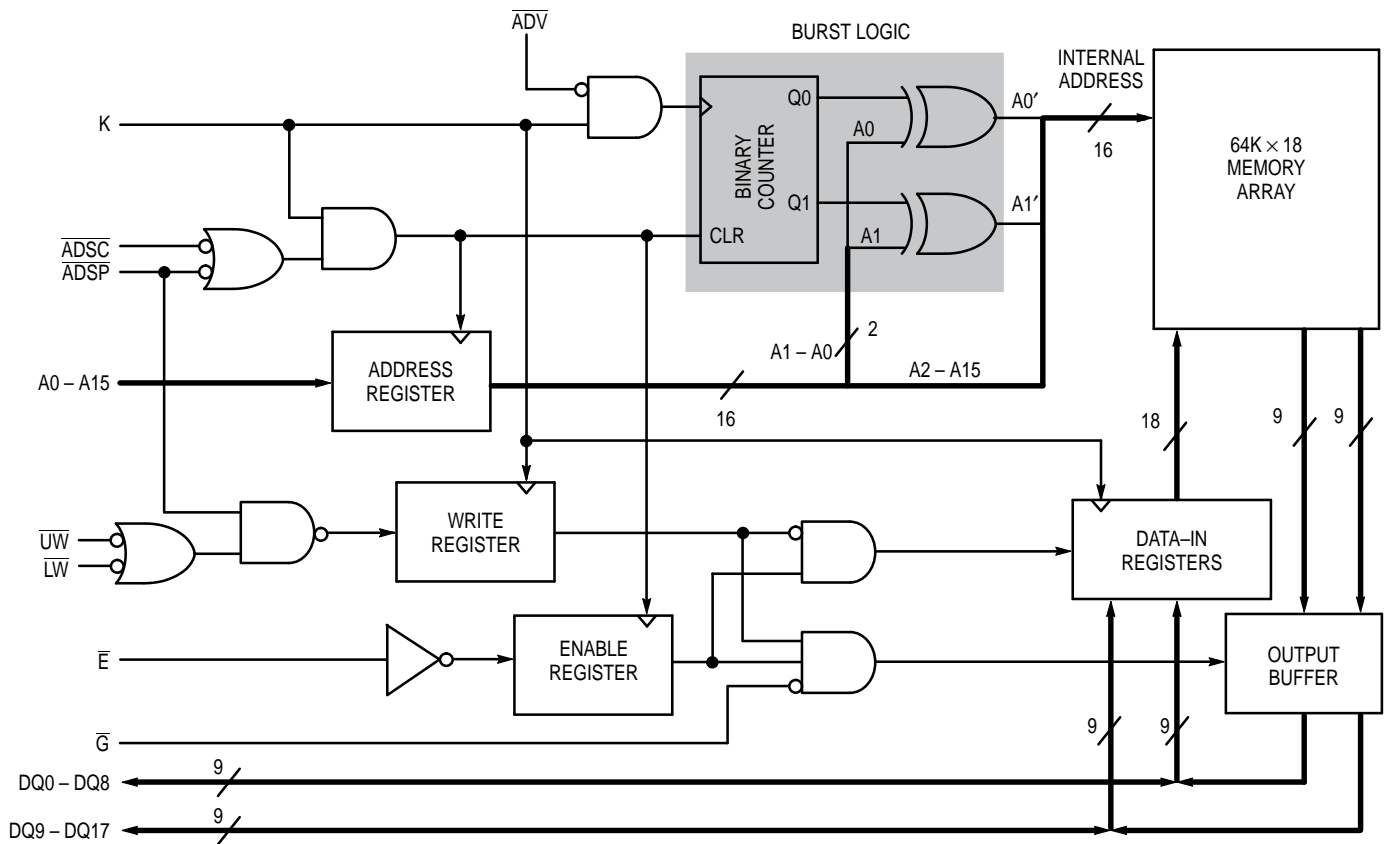
### 64K x 72 BurstRAM MEMORY MODULE BLOCK DIAGRAM



### 32K x 72 BurstRAM MEMORY MODULE BLOCK DIAGRAM



**MCM67B618 BLOCK DIAGRAM** (See Note)



NOTE: All registers are positive-edge triggered. The  $\overline{ADSC}$  or  $\overline{ADSP}$  signals control the duration of the burst and the start of the next burst. When  $\overline{ADSP}$  is sampled low, any ongoing burst is interrupted and a read (independent of  $\overline{W}$  and  $\overline{ADSC}$ ) is performed using the new external address. Alternatively, an  $\overline{ADSP}$ -initiated two cycle WRITE can be performed by asserting  $\overline{ADSP}$  and a valid address on the first cycle, then negating both  $\overline{ADSP}$  and  $\overline{ADSC}$  and asserting  $\overline{LW}$  and/or  $\overline{UW}$  with valid data on the second cycle (see Single Write Cycle in WRITE CYCLES timing diagram). When  $\overline{ADSC}$  is sampled low (and  $\overline{ADSP}$  is sampled high), any ongoing burst is interrupted and a read or write (dependent on  $\overline{W}$ ) is performed using the new external address. Chip enable ( $\overline{E}$ ) is sampled only when a new base address is loaded. After the first cycle of the burst,  $\overline{ADV}$  controls subsequent burst cycles. When  $\overline{ADV}$  is sampled low, the internal address is advanced prior to the operation. When  $\overline{ADV}$  is sampled high, the internal address is not advanced, thus inserting a wait state into the burst sequence accesses. Upon completion of a burst, the address will wrap around to its initial state. See **BURST SEQUENCE TABLE**. Write refers to either or both byte write enables ( $\overline{LW}$ ,  $\overline{UW}$ ).

**BURST SEQUENCE TABLE** (See Note)

External Address	A15 – A2	A1	A0
1st Burst Address	A15 – A2	A1	$\overline{A0}$
2nd Burst Address	A15 – A2	$\overline{A1}$	A0
3rd Burst Address	A15 – A2	$\overline{A1}$	$\overline{A0}$

NOTE: The burst wraps around to its initial state upon completion.

**SYNCHRONOUS TRUTH TABLE** (See Notes 1, 2, and 3)

$\bar{E}$	ADSP	ADSC	ADV	UW or LW	K	Address Used	Operation
H	L	X	X	X	L-H	N/A	Deselected
H	X	L	X	X	L-H	N/A	Deselected
L	L	X	X	X	L-H	External Address	Read Cycle, Begin Burst
L	H	L	X	L	L-H	External Address	Write Cycle, Begin Burst
L	H	L	X	H	L-H	External Address	Read Cycle, Begin Burst
X	H	H	L	L	L-H	Next Address	Write Cycle, Continue Burst
X	H	H	L	H	L-H	Next Address	Read Cycle, Continue Burst
X	H	H	H	L	L-H	Current Address	Write Cycle, Suspend Burst
X	H	H	H	H	L-H	Current Address	Read Cycle, Suspend Burst

NOTES:

1. X means Don't Care.
2. All inputs except  $\bar{G}$  must meet setup and hold times for the low-to-high transition of clock (K).
3. Wait states are inserted by suspending burst.

**ASYNCHRONOUS TRUTH TABLE** (See Notes 1 and 2)

Operation	$\bar{G}$	I/O Status
Read	L	Data Out
Read	H	High-Z
Write	X	High-Z — Data In
Deselected	X	High-Z

NOTES:

1. X means Don't Care.
2. For a write operation following a read operation,  $\bar{G}$  must be high before the input data required setup time and held high through the input data hold time.

**ABSOLUTE MAXIMUM RATINGS** (Voltages Referenced to  $V_{SS} = 0$  V)

Rating	Symbol	Value	Unit
Power Supply Voltage	$V_{CC}$	- 0.5 to + 7.0	V
Voltage Relative to $V_{SS}$ for Any Pin Except $V_{CC}$	$V_{in}, V_{out}$	- 0.5 to $V_{CC} + 0.5$	V
Output Current (per I/O)	$I_{out}$	$\pm 30$	mA
Power Dissipation	$P_D$	6.0	W
Temperature Under Bias	$T_{bias}$	- 10 to + 85	°C
Operating Temperature	$T_A$	0 to +70	°C
Storage Temperature	$T_{stg}$	- 55 to + 125	°C

NOTE: Permanent device damage may occur if ABSOLUTE MAXIMUM RATINGS are exceeded. Functional operation should be restricted to RECOMMENDED OPERATING CONDITIONS. Exposure to higher than recommended voltages for extended periods of time could affect device reliability.

This device contains circuitry to protect the inputs against damage due to high static voltages or electric fields; however, it is advised that normal precautions be taken to avoid application of any voltage higher than maximum rated voltages to this high-impedance circuit.

This device contains circuitry that will ensure the output devices are in High-Z at power up.

## DC OPERATING CONDITIONS AND CHARACTERISTICS

( $V_{CC} = 5.0 \text{ V} \pm 5\%$ ,  $T_A = 0 \text{ to } +70^\circ\text{C}$ , Unless Otherwise Noted)

### RECOMMENDED OPERATING CONDITIONS (Voltages referenced to $V_{SS} = 0 \text{ V}$ )

Parameter	Symbol	Min	Max	Unit
Supply Voltage (Operating Voltage Range)	$V_{CC}$	4.75	5.25	V
Input High Voltage	$V_{IH}$	2.2	$V_{CC} + 0.3^{**}$	V
Input Low Voltage	$V_{IL}$	-0.5*	0.8	V

\*  $V_{IL}(\text{min}) = -0.5 \text{ V dc}$ ;  $V_{IL}(\text{min}) = -2.0 \text{ V ac}$  (pulse width  $\leq 20.0 \text{ ns}$ ) for  $I \leq 20.0 \text{ mA}$ .

\*\*  $V_{IH}(\text{max}) = V_{CC} + 0.3 \text{ V dc}$ ;  $V_{IH}(\text{max}) = V_{CC} + 2.0 \text{ V ac}$  (pulse width  $\leq 20.0 \text{ ns}$ ) for  $I \leq 20.0 \text{ mA}$

### DC CHARACTERISTICS AND SUPPLY CURRENTS

Parameter	Symbol	Min	Max	Unit
Input Leakage Current (All Inputs, $V_{in} = 0 \text{ to } V_{CC}$ )	$I_{lkg(I)}$	—	$\pm 1.0$	$\mu\text{A}$
Output Leakage Current ( $\bar{G} = V_{IH}$ )	$I_{lkg(O)}$	—	$\pm 1.0$	$\mu\text{A}$
AC Supply Current ( $\bar{G} = V_{IH}$ , $\bar{E} = V_{IL}$ , $I_{out} = 0 \text{ mA}$ , All Inputs = $V_{IL}$ or $V_{IH}$ , $V_{IL} = 0.0 \text{ V}$ and $V_{IH} \geq 3.0 \text{ V}$ , Cycle Time $\geq t_{KHKH} \text{ min}$ )	$I_{CCA66}$ $I_{CCA60}$ $I_{CCA50}$	—	1100 1100 1000	mA
AC Standby Current ( $\bar{E} = V_{IH}$ , $I_{out} = 0 \text{ mA}$ , All Inputs = $V_{IL}$ and $V_{IH}$ , $V_{IL} = 0.0 \text{ V}$ and $V_{IH} \geq 3.0 \text{ V}$ , Cycle Time $\geq t_{KHKH} \text{ min}$ )	$I_{SB1}$	—	300	mA
Output Low Voltage ( $I_{OL} = +8.0 \text{ mA}$ )	$V_{OL}$	—	0.4	V
Output High Voltage ( $I_{OH} = -4.0 \text{ mA}$ )	$V_{OH}$	2.4	3.3	V

NOTE: Good decoupling of the local power supply should always be used. DC characteristics are guaranteed for all possible Pentium bus cycles.

### CAPACITANCE (f = 1.0 MHz, dV = 3.0 V, $T_A = 25^\circ\text{C}$ , Periodically Sampled Rather Than 100% Tested)

Parameter	Symbol	Typ	Max	Unit
Input Capacitance (A0 – A15, $\bar{A}DSP$ , $\bar{A}DSC$ , $\bar{A}DV$ )	$C_{in}$	25	32	pF
Input/Output Capacitance (DQ0 – DQ63, DQP0 – DQP7)	$C_{I/O}$	8	10	pF
Input Capacitance (Kx, $\bar{G}x$ , $\bar{E}x$ , $\bar{W}x$ )	$C_{in}$	12	15	pF

## AC OPERATING CONDITIONS AND CHARACTERISTICS

( $V_{CC} = 5.0 \text{ V} \pm 5\%$ ,  $T_A = 0 \text{ to } +70^\circ\text{C}$ , Unless Otherwise Noted)

Input Timing Measurement Reference Level ..... 1.5 V      Output Timing Reference Level ..... 1.5 V  
 Input Pulse Levels ..... 0 to 3.0 V      Output Load ..... See Figure 1A Unless Otherwise Noted  
 Input Rise/Fall Time ..... 3 ns

### READ/WRITE CYCLE TIMING (See Notes 1, 2, and 3) ( $\overline{Wx}$ refers to any or all byte write enables)

Parameter	Symbol	MCM72BA64SG66		MCM72BA64SG60		MCM72BA64SG50		Unit	Notes	
		Min	Max	Min	Max	Min	Max			
Cycle Time	$t_{KHKH}$	15	—	16.7	—	20	—	ns		
Clock Access Time	$t_{KHQV}$	—	9	—	10	—	12	ns	4	
Output Enable to Output Valid	$t_{GLQV}$	—	5	—	5	—	6	ns		
Clock High to Output Active	$t_{KHQX1}$	6	—	6	—	6	—	ns		
Clock High to Output Change	$t_{KHQX2}$	3	—	3	—	3	—	ns		
Output Enable to Output Active	$t_{GLQX}$	0	—	0	—	0	—	ns		
Output Disable to Q High-Z	$t_{GHQZ}$	2	6	2	6	2	7	ns	5	
Clock High to Q High-Z	$t_{KHQZ}$	—	6	—	6	—	6	ns		
Clock High Pulse Width	$t_{KHKL}$	5	—	5	—	6	—	ns		
Clock Low Pulse Width	$t_{KLKH}$	5	—	5	—	6	—	ns		
Setup Times:	Address	$t_{AVKH}$	2.5	—	2.5	—	2.5	—	ns	6
	Address Status	$t_{ADSVKH}$								
	Data In	$t_{DVKH}$								
	Write	$t_{WVKH}$								
	Address Advance	$t_{ADVVKH}$								
	Chip Enable	$t_{EVKH}$								
Hold Times:	Address	$t_{KHAX}$	0.5	—	0.5	—	0.5	—	ns	6
	Address Status	$t_{KHADSX}$								
	Data In	$t_{KHDX}$								
	Write	$t_{KHWX}$								
	Address Advance	$t_{KHADVX}$								
	Chip Enable	$t_{KHEx}$								

#### NOTES:

1. A read cycle is defined by  $\overline{UW}$  and  $\overline{LW}$  high or  $\overline{ADSP}$  low for the setup and hold times. A write cycle is defined by  $\overline{LW}$  or  $\overline{UW}$  low and  $\overline{ADSP}$  high for the setup and hold times.
2. All read and write cycle timings are referenced from K or  $\overline{G}$ .
3.  $\overline{G}$  is a don't care when  $\overline{UW}$  or  $\overline{LW}$  is sampled low.
4. Maximum access times are guaranteed for all possible Pentium external bus cycles.
5. Transition is measured  $\pm 500 \text{ mV}$  from steady-state voltage with load of Figure 1B. This parameter is sampled rather than 100% tested. At any given voltage and temperature,  $t_{KHQZ}$  max is less than  $t_{KHQZ1}$  min for a given device and from device to device.
6. This is a synchronous device. All addresses must meet the specified setup and hold times for **ALL** rising edges of K whenever  $\overline{ADSP}$  or  $\overline{ADSC}$  is low, and the chip is selected. All other synchronous inputs must meet the specified setup and hold times for **ALL** rising edges of K when the chip is enabled. Chip enable must be valid at each rising edge of clock for the device (when  $\overline{ADSP}$  or  $\overline{ADSC}$  is low) to remain enabled.

### AC TEST LOADS

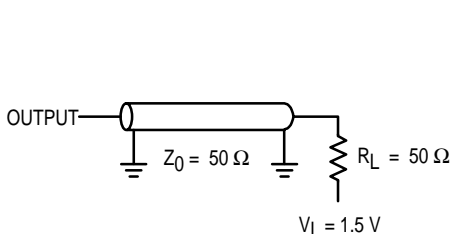


Figure 1A

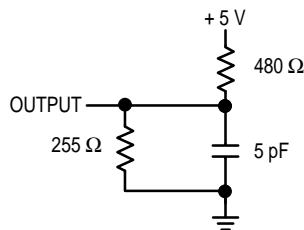
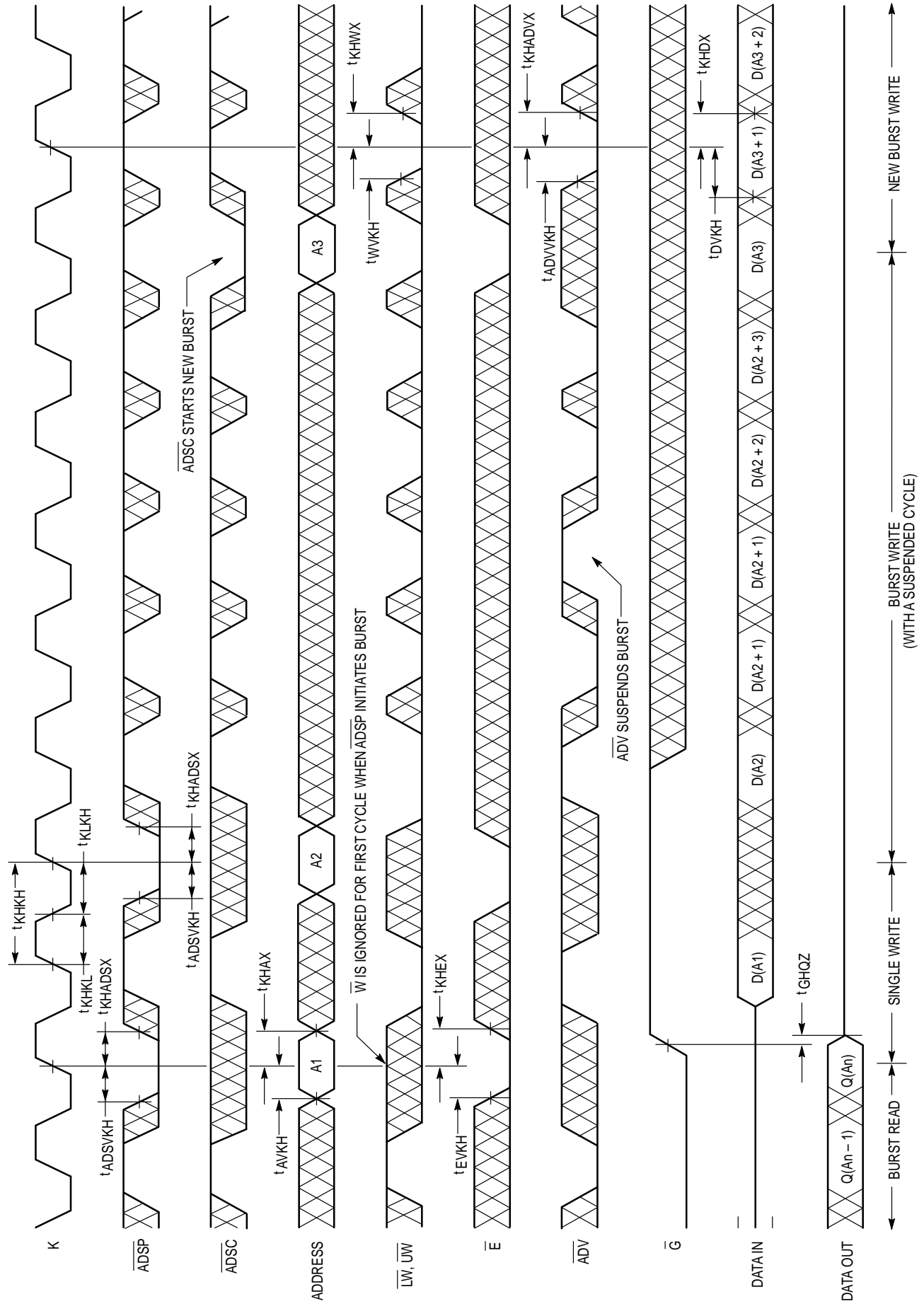


Figure 1B

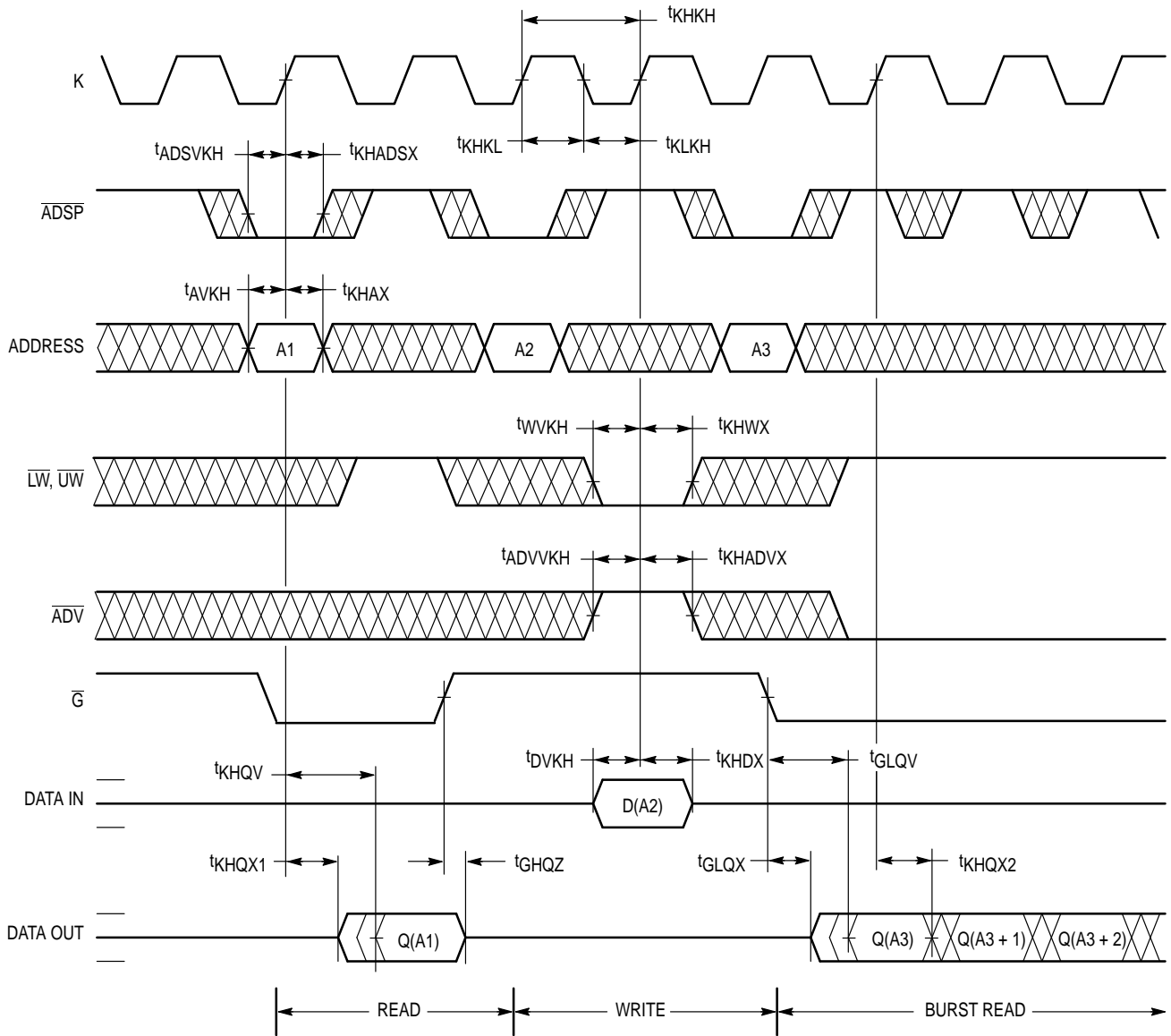




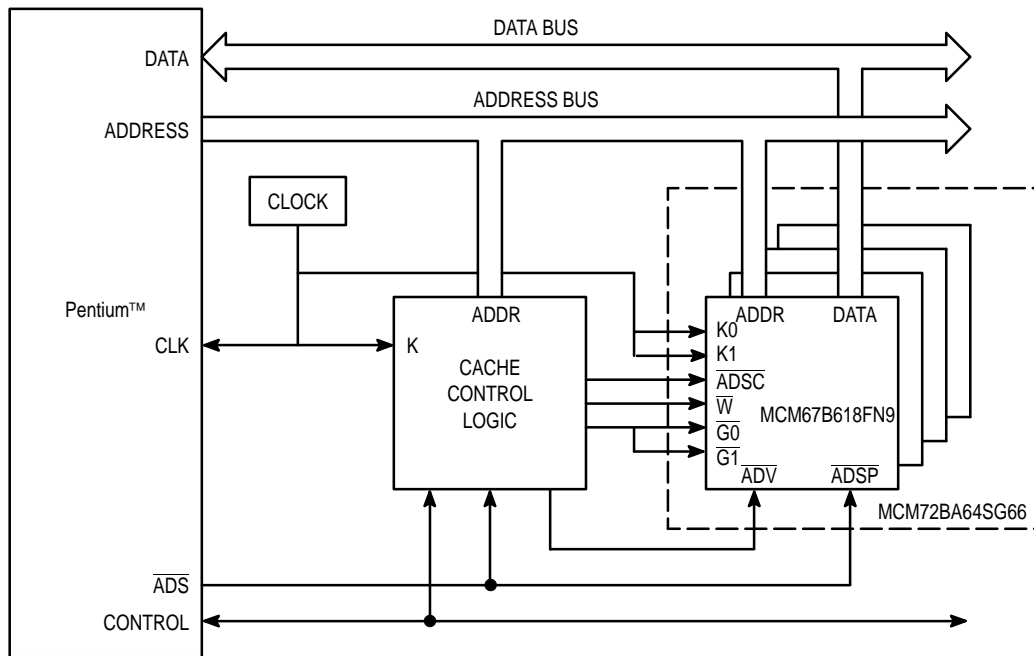
# WRITE CYCLES



### COMBINATION READ/WRITE CYCLE



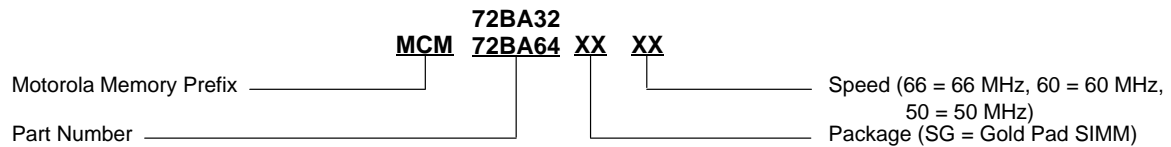
## APPLICATION EXAMPLE



512K Byte Burstable, Secondary Cache  
Using MCM72BA64SG66 with a 66 MHz Pentium

**Figure 2**

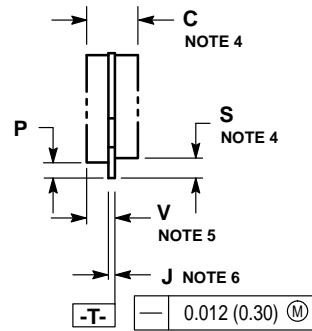
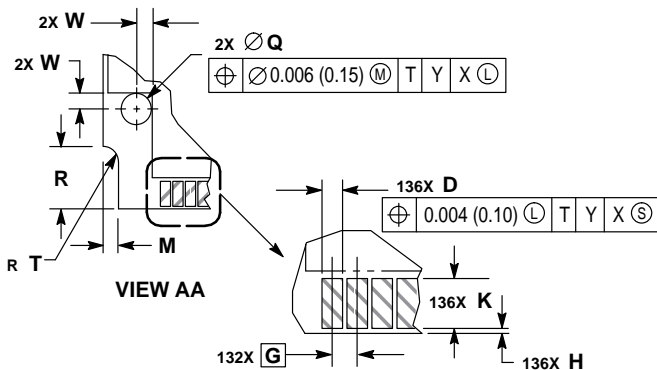
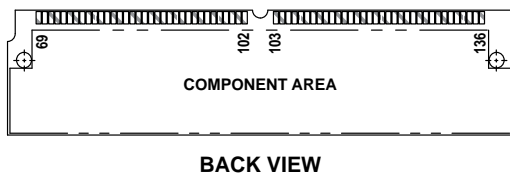
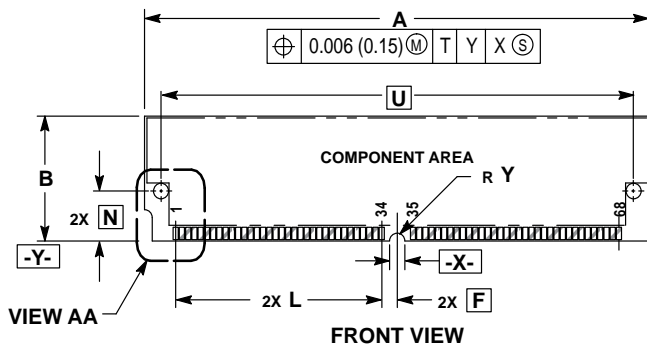
## ORDERING INFORMATION (Order by Full Part Number)



Full Part Numbers —	MCM72BA32SG66 MCM72BA64SG66	MCM72BA32SG60 MCM72BA64SG60	MCM72BA32SG50 MCM72BA64SG50
---------------------	--------------------------------	--------------------------------	--------------------------------

# PACKAGE DIMENSIONS

136-LEAD  
DIMM MODULE  
CASE 1104-01



## SIDE VIEW

### NOTES:

1. DIMENSIONING AND TOLERANCING PER ANSI Y14.5M, 1982.
2. CONTROLLING DIMENSION: INCH.
3. CARD THICKNESS APPLIES ACROSS TABS AND INCLUDES PLATING AND/OR METALLIZATION.
4. DIMENSIONS C AND S DEFINE A DOUBLE-SIDED MODULE.
5. DIMENSION V DEFINES OPTIONAL SINGLE-SIDED MODULE.
6. STRAIGHTNESS CALLOUT APPLIES TO TAB AREA ONLY.

DIM	INCHES		MILLIMETERS	
	MIN	MAX	MIN	MAX
A	4.045	4.055	102.74	103.00
B	0.995	1.005	25.27	25.53
C	—	0.413	—	10.50
D	0.040	0.042	1.02	1.07
F	0.125 BSC	—	3.18 BSC	—
G	0.050 BSC	—	1.27 BSC	—
H	—	0.010	—	0.25
J	0.046	0.054	1.17	1.37
K	0.100	—	2.54	—
L	1.650 BSC	—	41.91 BSC	—
M	0.075	0.085	1.91	2.16
N	0.400 BSC	—	10.16 BSC	—
P	0.125	—	3.18	—
Q	0.123	0.127	3.12	3.22
R	0.245	0.255	6.22	6.48
S	0.157	—	4.00	—
T	0.060	0.064	1.52	1.63
U	3.784 BSC	—	96.11 BSC	—
V	—	0.236	—	6.00
W	0.062	—	1.57	—
Y	0.060	0.064	1.52	1.63

Motorola reserves the right to make changes without further notice to any products herein. Motorola makes no warranty, representation or guarantee regarding the suitability of its products for any particular purpose, nor does Motorola assume any liability arising out of the application or use of any product or circuit, and specifically disclaims any and all liability, including without limitation consequential or incidental damages. "Typical" parameters can and do vary in different applications. All operating parameters, including "Typicals" must be validated for each customer application by customer's technical experts. Motorola does not convey any license under its patent rights nor the rights of others. Motorola products are not designed, intended, or authorized for use as components in systems intended for surgical implant into the body, or other applications intended to support or sustain life, or for any other application in which the failure of the Motorola product could create a situation where personal injury or death may occur. Should Buyer purchase or use Motorola products for any such unintended or unauthorized application, Buyer shall indemnify and hold Motorola and its officers, employees, subsidiaries, affiliates, and distributors harmless against all claims, costs, damages, and expenses, and reasonable attorney fees arising out of, directly or indirectly, any claim of personal injury or death associated with such unintended or unauthorized use, even if such claim alleges that Motorola was negligent regarding the design or manufacture of the part. Motorola and are registered trademarks of Motorola, Inc. Motorola, Inc. is an Equal Opportunity/Affirmative Action Employer.

**Literature Distribution Centers:**

USA/EUROPE: Motorola Literature Distribution; P.O. Box 20912; Phoenix, Arizona 85036.

JAPAN: Nippon Motorola Ltd.; 4-32-1, Nishi-Gotanda, Shinagawa-ku, Tokyo 141, Japan.

ASIA PACIFIC: Motorola Semiconductors H.K. Ltd.; Silicon Harbour Center, No. 2 Dai King Street, Tai Po Industrial Estate, Tai Po, N.T., Hong Kong.



MCM72BA32/D

