

ASSP

Dual Serial Input PLL Frequency Synthesizer

MB15F72UV

■ DESCRIPTION

The Fujitsu MB15F72UV is a serial input Phase Locked Loop (PLL) frequency synthesizer with a 1300 MHz and a 350 MHz prescalers. A 64/65 or a 128/129 for the 1300 MHz prescaler, and a 8/9 or a 16/17 for the 350 MHz prescaler can be selected for the prescaler that enables pulse swallow operation.

The BiCMOS process is used, as a result a supply current is typically 2.5 mA at 2.7 V. The supply voltage range is from 2.4 V to 3.6 V. A refined charge pump supplies well-balanced output current with 1.5 mA and 6 mA selectable by serial data. The data format is the same as the previous one MB15F02SL, MB12F72SP/UL. Fast locking is achieved for adopting the new circuit.

MB15F72UV is in the new small package (BCC18) , which decreases a mount area of MB15F72UV about 50% comparing with the former BCC20 (for dual PLL) .

MB15F72UV is ideally suited for wireless mobile communications, such as CDMA.

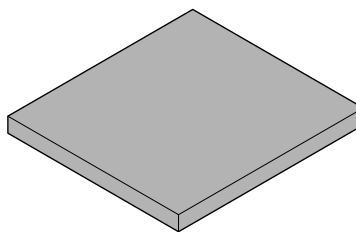
■ FEATURES

- High frequency operation : RF synthesizer : 1300 MHz Max
: IF synthesizer : 350 MHz Max
- Low power supply voltage : $V_{CC} = 2.4 \text{ V to } 3.6 \text{ V}$
- Ultra low power supply current : $I_{CC} = 2.5 \text{ mA Typ}$
($V_{CC} = 2.7 \text{ V}$, $SW_{IF} = SW_{RF} = 0$, $T_a = +25 \text{ }^\circ\text{C}$, in IF, RF locking state)

(Continued)

■ PACKAGE

18-pin plastic BCC



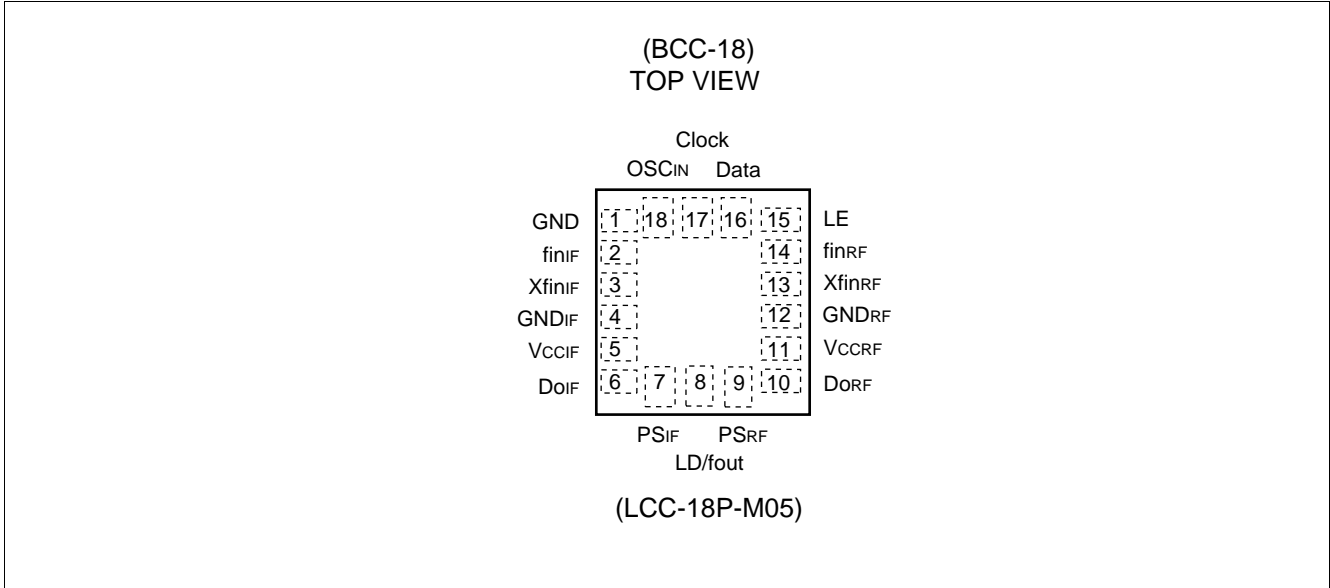
(LCC-18P-M05)

MB15F72UV

(Continued)

- Direct power saving function : Power supply current in power saving mode
Typ 0.1 μ A ($V_{CC} = 2.7$ V, $T_a = +25$ °C)
Max 10 μ A ($V_{CC} = 2.7$ V)
- Software selectable charge pump current : 1.5 mA/6.0 mA Typ
- Dual modulus prescaler : 1300 MHz prescaler (64/65 or 128/129) /350 MHz prescaler (8/9 or 16/17)
- 23 bit shift register
- Serial input 14-bit programmable reference divider : R = 3 to 16,383
- Serial input programmable divider consisting of :
 - Binary 7-bit swallow counter : 0 to 127
 - Binary 11-bit programmable counter : 3 to 2,047
- On-chip phase control for phase comparator
- On-chip phase comparator for fast lock and low noise
- Built-in digital locking detector circuit to detect PLL locking and unlocking.
- Operating temperature : $T_a = -40$ °C to +85 °C
- Serial data format compatible with MB15F72UL
- Ultra small package BCC18 (2.4 mm \times 2.7 mm \times 0.45 mm)

■ PIN ASSIGNMENTS

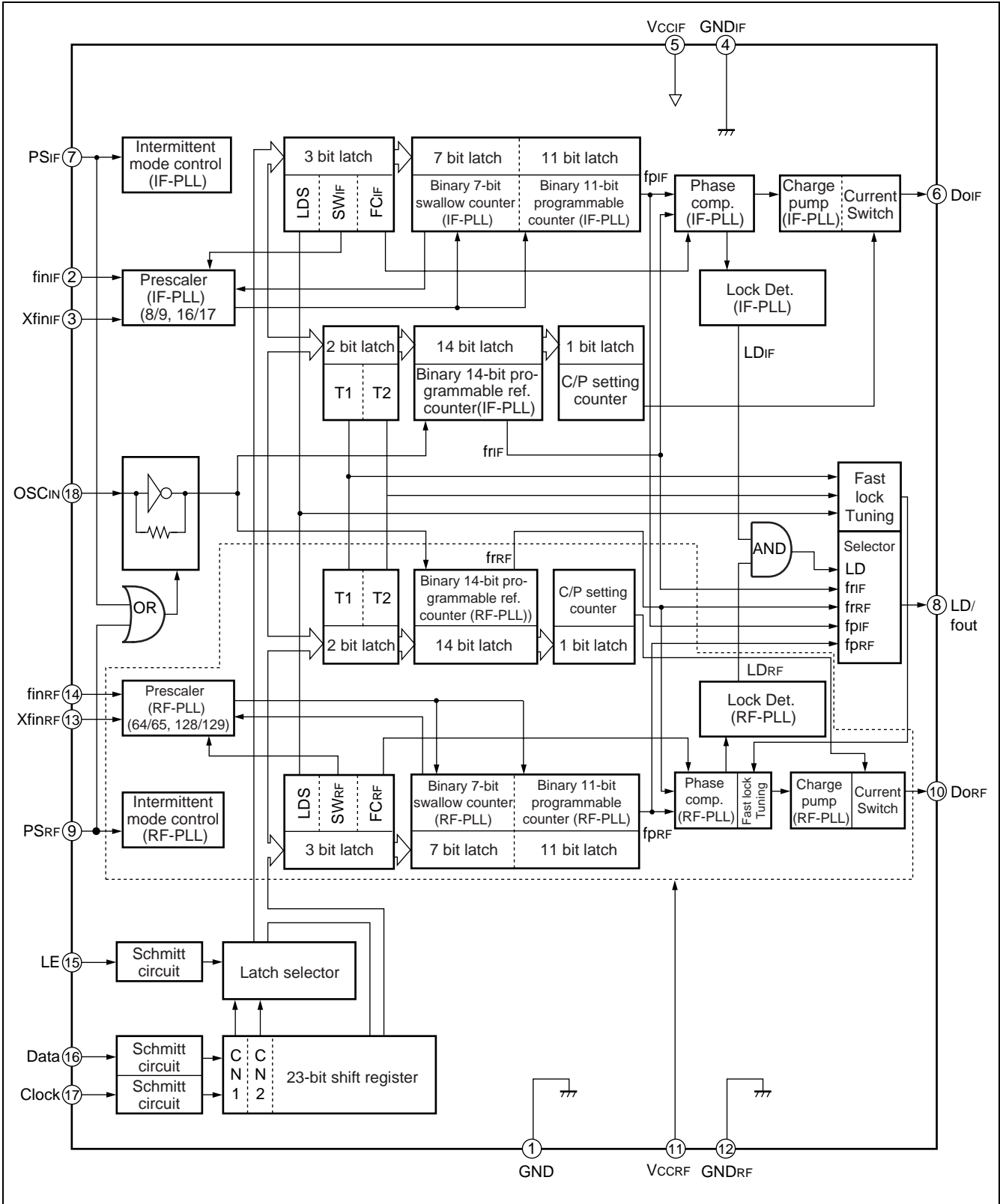


MB15F72UV

■ PIN DESCRIPTION

Pin no. BCC	Pin name	I/O	Descriptions
1	GND	—	Ground for OSC input buffer and the shift register circuit.
2	fin _{IF}	I	Prescaler input pin for the IF-PLL. Connection to an external VCO should be via AC coupling.
3	Xfin _{IF}	I	Prescaler complimentary input pin for the IF-PLL section. This pin should be grounded via a capacitor.
4	GND _{IF}	—	Ground for the IF-PLL section.
5	V _{CCIF}	—	Power supply voltage input pin for the IF-PLL section, the OSC input buffer and the shift register circuit.
6	D _{OIF}	O	Charge pump output pin for the IF-PLL section.
7	PS _{IF}	I	Power saving mode control for the IF-PLL section. This pin must be set at “L” when the power supply is started up. (Open is prohibited.) PS _{IF} = “H” ; Normal mode / PS _{IF} = “L” ; Power saving mode
8	LD/fout	O	Lock detect signal output (LD) /phase comparator monitoring output (fout) pins. The output signal is selected by LDS bit in the serial data. LDS bit = “H” ; outputs fout signal / LDS bit = “L” ; outputs LD signal
9	PS _{RF}	I	Power saving mode control pin for the RF-PLL section. This pin must be set at “L” when the power supply is started up. (Open is prohibited.) PS _{RF} = “H” ; Normal mode / PS _{RF} = “L” ; Power saving mode
10	D _{ORF}	O	Charge pump output pin for the RF-PLL section.
11	V _{CCRF}	—	Power supply voltage input pin for the RF-PLL section
12	GND _{RF}	—	Ground for the RF-PLL section
13	Xfin _{RF}	I	Prescaler complimentary input pin for the RF-PLL section. This pin should be grounded via a capacitor.
14	fin _{RF}	I	Prescaler input pin for the RF-PLL. Connection to an external VCO should be via AC coupling.
15	LE	I	Load enable signal input pin (with the schmitt trigger circuit) When LE is set “H”, data in the shift register is transferred to the corresponding latch according to the control bit in the serial data.
16	Data	I	Serial data input pin (with the schmitt trigger circuit) Data is transferred to the corresponding latch (IF-ref. counter, IF-prog. counter, RF-ref. counter, RF-prog. counter) according to the control bit in the serial data.
17	Clock	I	Clock input pin for the 23-bit shift register (with the schmitt trigger circuit) One bit of data is shifted into the shift register on a rising edge of the clock.
18	OSC _{IN}	I	The programmable reference divider input. TCXO should be connected with an AC coupling capacitor.

■ BLOCK DIAGRAM



MB15F72UV

■ ABSOLUTE MAXIMUM RATINGS

Parameter		Symbol	Rating		Unit
			Min	Max	
Power supply voltage		V_{CC}	-0.5	4.0	V
Input voltage		V_I	-0.5	$V_{CC} + 0.5$	V
Output voltage	LD/fout	V_O	GND	V_{CC}	V
	DOIF, DORF	V_{DO}	GND	V_{CC}	V
Storage temperature		T_{stg}	-55	+125	°C

WARNING: Semiconductor devices can be permanently damaged by application of stress (voltage, current, temperature, etc.) in excess of absolute maximum ratings. Do not exceed these ratings.

■ RECOMMENDED OPERATING CONDITIONS

Parameter	Symbol	Value			Unit	Remarks
		Min	Typ	Max		
Power supply voltage	V_{CC}	2.4	2.7	3.6	V	$V_{CCRF} = V_{CCIF}$
Input voltage	V_I	GND	—	V_{CC}	V	
Operating temperature	T_a	-40	—	+85	°C	

Notes : • V_{CCRF} and V_{CCIF} must supply equal voltage.

Even if either RF-PLL or IF-PLL is not used, power must be supplied to V_{CCRF} , and V_{CCIF} to keep them equal.

It is recommended that the non-use PLL is controlled by power saving function.

- Although this device contains an anti-static element to prevent electrostatic breakdown and the circuitry has been improved in electrostatic protection, observe the following precautions when handling the device.
 - When storing and transporting the device, put it in a conductive case.
 - Before handling the device, confirm the (jigs and) tools to be used have been uncharged (grounded) as well as yourself. Use a conductive sheet on working bench.
 - Before fitting the device into or removing it from the socket, turn the power supply off.
 - When handling (such as transporting) the device mounted board, protect the leads with a conductive sheet.

WARNING: The recommended operating conditions are required in order to ensure the normal operation of the semiconductor device. All of the device's electrical characteristics are warranted when the device is operated within these ranges.

Always use semiconductor devices within their recommended operating condition ranges. Operation outside these ranges may adversely affect reliability and could result in device failure.

No warranty is made with respect to uses, operating conditions, or combinations not represented on the data sheet. Users considering application outside the listed conditions are advised to contact their FUJITSU representatives beforehand.

■ ELECTRICAL CHARACTERISTICS

(V_{CC} = 2.4 V to 3.6 V, T_a = -40 °C to +85 °C)

Parameter	Sym- bol	Condition	Value			Unit	
			Min	Typ	Max		
Power supply current	I _{CCIF} *1	fin _{IF} = 270 MHz, V _{CCIF} = V _{pIF} = 2.7 V	0.6	1.0	1.4	mA	
	I _{CCRF} *1	fin _{RF} = 910 MHz, V _{CCRF} = V _{pRF} = 2.7 V	1.0	1.5	2.1	mA	
Power saving current	I _{PSIF}	PS _{IF} = PS _{RF} = "L"	—	0.1 *2	10	μA	
	I _{PSRF}	PS _{IF} = PS _{RF} = "L"	—	0.1 *2	10	μA	
Operating frequency	fin _{IF} *3	fin _{IF}	IF PLL	50	—	350	MHz
	fin _{RF} *3	fin _{RF}	RF PLL	100	—	1300	MHz
	OSC _{IN}	f _{OSC}	—	3	—	40	MHz
Input sensitivity	fin _{IF}	Pfin _{IF}	IF PLL, 50 Ω system	-15	—	+2	dBm
	fin _{RF}	Pfin _{RF}	RF PLL, 50 Ω system	-15	—	+2	dBm
	OSC _{IN}	V _{OSC}	—	0.5	—	V _{CC}	V _{P-P}
"H" level input voltage	Data, LE, Clock	V _{IH}	Schmitt trigger input	0.7 V _{CC} + 0.4	—	—	V
"L" level input voltage		V _{IL}	Schmitt trigger input	—	—	0.3 V _{CC} - 0.4	V
"H" level input voltage	PS _{IF} ,	V _{IH}	—	0.7 V _{CC}	—	—	V
"L" level input voltage	PS _{RF}	V _{IL}	—	—	—	0.3 V _{CC}	V
"H" level input current	Data, LE, Clock,	I _{IH} *4	—	-1.0	—	+1.0	μA
"L" level input current	PS _{IF} , PS _{RF}	I _{IL} *4	—	-1.0	—	+1.0	μA
"H" level input current	OSC _{IN}	I _{IH}	—	0	—	+100	μA
"L" level input current		I _{IL} *4	—	-100	—	0	μA
"H" level output voltage	LD/fout	V _{OH}	V _{CC} = 2.7 V, I _{OH} = -1 mA	V _{CC} - 0.4	—	—	V
"L" level output voltage		V _{OL}	V _{CC} = 2.7 V, I _{OL} = 1 mA	—	—	0.4	V
"H" level output voltage	DO _{IF} , DOR _{RF}	V _{DOH}	V _{CC} = 2.7 V, I _{DOH} = -0.5 mA	V _{CC} - 0.4	—	—	V
"L" level output voltage		V _{DOL}	V _{CC} = 2.7 V, I _{DOL} = 0.5 mA	—	—	0.4	V
High impedance cutoff current	DO _{IF} , DOR _{RF}	I _{OFF}	V _{CC} = 2.7 V, V _{OFF} = 0.5 V to V _{CC} - 0.5 V	—	—	2.5	nA
"H" level output current	LD/fout	I _{OH} *4	V _{CC} = 2.7 V	—	—	-1.0	mA
"L" level output current		I _{OL}	V _{CC} = 2.7 V	1.0	—	—	mA

(Continued)

MB15F72UV

(Continued)

($V_{CC} = 2.4\text{ V to }3.6\text{ V}$, $T_a = -40\text{ }^\circ\text{C to }+85\text{ }^\circ\text{C}$)

Parameter	Symbol	Condition	Value			Unit		
			Min	Typ	Max			
“H” level output current	Do _{IF} *8 Do _{RF}	I _{DOH} *4	$V_{CC} = 2.7\text{ V}$, $V_{DOH} = V_{CC} / 2$, $T_a = +25\text{ }^\circ\text{C}$	CS bit = “1”	-8.2	-6.0	-4.1	mA
				CS bit = “0”	-2.2	-1.5	-0.8	mA
“L” level output current	Do _{IF} *8 Do _{RF}	I _{DOL}	$V_{CC} = 2.7\text{ V}$, $V_{DOL} = V_{CC} / 2$, $T_a = +25\text{ }^\circ\text{C}$	CS bit = “1”	4.1	6.0	8.2	mA
				CS bit = “0”	0.8	1.5	2.2	mA
Charge pump current rate	I _{DOL} /I _{DOH}	I _{DOMT} *5	$V_{DO} = V_{CC} / 2$	—	3	—	%	
	vs. V _{DO}	I _{DOVD} *6	$0.5\text{ V} \leq V_{DO} \leq V_{CC} - 0.5\text{ V}$	—	10	—	%	
	vs. T _a	I _{DOTA} *7	$-40\text{ }^\circ\text{C} \leq T_a \leq +85\text{ }^\circ\text{C}$, $V_{DO} = V_{CC} / 2$	—	5	—	%	

*1 : Conditions ; fosc = 12.8 MHz, T_a = +25 °C, SW = “0” in locking state.

*2 : V_{CCIF} = V_{CCRF} = 2.7 V, fosc = 12.8 MHz, T_a = +25 °C, in power saving mode PS_{IF} = PS_{RF} = GND, V_{IH} = V_{CC} V_{IL} = GND (at CLK, Data, LE)

*3 : AC coupling. 1000 pF capacitor is connected under the condition of minimum operating frequency.

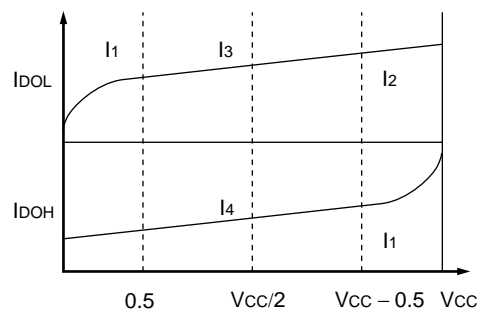
*4 : The symbol “-” (minus) means the direction of current flow.

*5 : $V_{CC} = 2.7\text{ V}$, $T_a = +25\text{ }^\circ\text{C}$ $(|I_3| - |I_4|) / [(|I_3| + |I_4|) / 2] \times 100\text{ }(\%)$

*6 : $V_{CC} = 2.7\text{ V}$, $T_a = +25\text{ }^\circ\text{C}$ $[(|I_2| - |I_1|) / 2] / [(|I_1| + |I_2|) / 2] \times 100\text{ }(\%)$ (Applied to both I_{DOL} and I_{DOH})

*7 : $V_{CC} = 2.7\text{ V}$, $[(|I_{DO(+85^\circ\text{C})}| - |I_{DO(-40^\circ\text{C})}|) / 2] / [(|I_{DO(+85^\circ\text{C})}| + |I_{DO(-40^\circ\text{C})}|) / 2] \times 100\text{ }(\%)$ (Applied to both I_{DOL} and I_{DOH})

*8 : When Charge pump current is measured, set LDS = “0”, T1 = “0” and T2 = “1”.



Charge pump output voltage (V)

FUNCTIONAL DESCRIPTION

1. Pulse swallow function :

$$f_{VCO} = [(P \times N) + A] \times f_{osc} \div R$$

f_{VCO} : Output frequency of external voltage controlled oscillator (VCO)

P : Preset divide ratio of dual modulus prescaler (8 or 16 for IF-PLL, 64 or 128 for RF-PLL)

N : Preset divide ratio of binary 11-bit programmable counter (3 to 2,047)

A : Preset divide ratio of binary 7-bit swallow counter ($0 \leq A \leq 127, A < N$)

f_{osc} : Reference oscillation frequency (OSC_{IN} input frequency)

R : Preset divide ratio of binary 14-bit programmable reference counter (3 to 16,383)

2. Serial Data Input

The serial data is entered using three pins, Data pin, Clock pin, and LE pin. Programmable dividers of IF/RF-PLL sections, and programmable reference dividers of IF/RF-PLL sections are controlled individually.

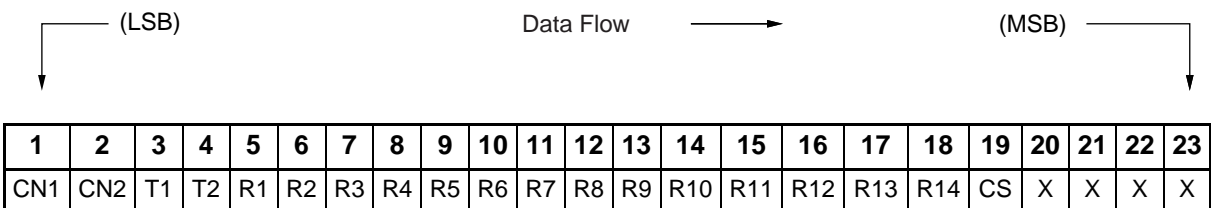
The serial data of binary data is entered through Data pin.

On a rising edge of Clock, one bit of the serial data is transferred into the shift register. On a rising edge of load enable signal, the data stored in the shift register is transferred to one of latches depending upon the control bit data setting.

	The programmable reference counter for the IF-PLL	The programmable reference counter for the RF-PLL	The programmable counter and the swallow counter for the IF-PLL	The programmable counter and the swallow counter for the RF-PLL
CN1	0	1	0	1
CN2	0	0	1	1

(1) Shift Register Configuration

• Programmable Reference Counter



CS : Charge pump current select bit

R1 to R14 : Divide ratio setting bits for the programmable reference counter (3 to 16,383)

T1, T2 : LD/fout output setting bit.

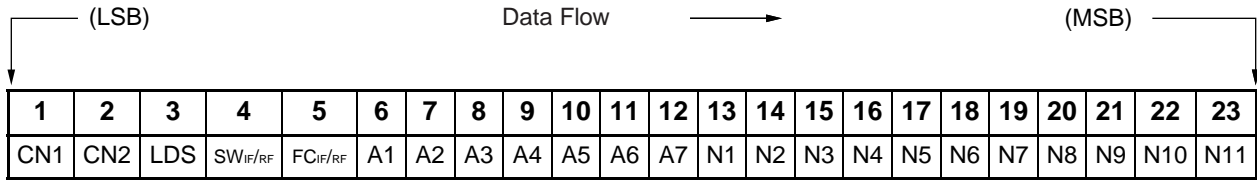
CN1, CN2 : Control bit

X : Dummy bits (Set "0" or "1")

Note : Data input with MSB first.

MB15F72UV

• Programmable Counter



- A1 to A7 : Divide ratio setting bits for the swallow counter (0 to 127)
- N1 to N11 : Divide ratio setting bits for the programmable counter (3 to 2,047)
- LDS : LD/fout signal select bit
- SW_{IF/RF} : Divide ratio setting bit for the prescaler (IF : SW_{IF}, RF : SW_{RF})
- FC_{IF/RF} : Phase control bit for the phase detector (IF : FC_{IF}, RF : FC_{RF})
- CN1, CN2 : Control bit

Note : Data input with MSB first.

(2) Data setting

• Binary 14-bit Programmable Reference Counter Data Setting (R1 to R14)

Divide ratio	R14	R13	R12	R11	R10	R9	R8	R7	R6	R5	R4	R3	R2	R1
3	0	0	0	0	0	0	0	0	0	0	0	0	1	1
4	0	0	0	0	0	0	0	0	0	0	0	1	0	0
•	•	•	•	•	•	•	•	•	•	•	•	•	•	•
•	•	•	•	•	•	•	•	•	•	•	•	•	•	•
•	•	•	•	•	•	•	•	•	•	•	•	•	•	•
16383	1	1	1	1	1	1	1	1	1	1	1	1	1	1

Note : Divide ratio less than 3 is prohibited.

• Binary 11-bit Programmable Counter Data Setting (N1 to N11)

Divide ratio	N11	N10	N9	N8	N7	N6	N5	N4	N3	N2	N1
3	0	0	0	0	0	0	0	0	0	1	1
4	0	0	0	0	0	0	0	0	1	0	0
•	•	•	•	•	•	•	•	•	•	•	•
•	•	•	•	•	•	•	•	•	•	•	•
•	•	•	•	•	•	•	•	•	•	•	•
2047	1	1	1	1	1	1	1	1	1	1	1

Note : Divide ratio less than 3 is prohibited.

• Binary 7-bit Swallow Counter Data Setting (A1 to A7)

Divide ratio	A7	A6	A5	A4	A3	A2	A1
0	0	0	0	0	0	0	0
1	0	0	0	0	0	0	1
•	•	•	•	•	•	•	•
•	•	•	•	•	•	•	•
•	•	•	•	•	•	•	•
127	1	1	1	1	1	1	1

• Prescaler Data Setting (SW)

Divide ratio	SW = "1"	SW = "0"
Prescaler divide ratio IF-PLL	8/9	16/17
Prescaler divide ratio RF-PLL	64/65	128/129

• Charge Pump Current Setting (CS)

Current value	CS
±6.0 mA	1
±1.5 mA	0

• LD/fout output Selectable Bit Setting

LD/fout pin state		LDS	T1	T2
LD output		0	0	0
		0	1	0
		0	1	1
fout outputs	fr _{IF}	1	0	0
	fr _{RF}	1	1	0
	fp _{IF}	1	0	1
	fp _{RF}	1	1	1

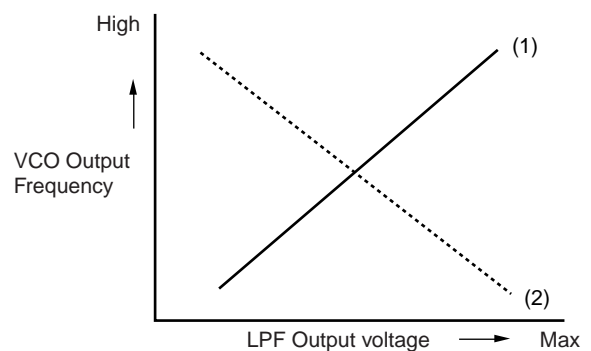
• Phase Comparator Phase Switching Data Setting (FC_{IF}, FC_{RF})

Phase comparator input	FC _{IF} = "1"	FC _{RF} = "1"	FC _{IF} = "0"	FC _{RF} = "0"
	Do _{IF}	Do _{RF}	Do _{IF}	Do _{RF}
fr > fp	H		L	
fr < fp	L		H	
fr = fp	Z		Z	

Z : High-impedance

Depending upon the VCO and LPF polarity, FC bit should be set.

- (1) VCO polarity FC = "1"
- (2) VCO polarity FC = "0"



Note : Give attention to the polarity for using active type LPF.

3. Power Saving Mode (Intermittent Mode Control Circuit)

Status	PS _{IF} /PS _{RF} pins
Normal mode	H
Power saving mode	L

The intermittent mode control circuit reduces the PLL power consumption.

By setting the PS pins low, the device enters into the power saving mode, reducing the current consumption. See the Electrical Characteristics chart for the specific value.

The phase detector output, Do, becomes high impedance.

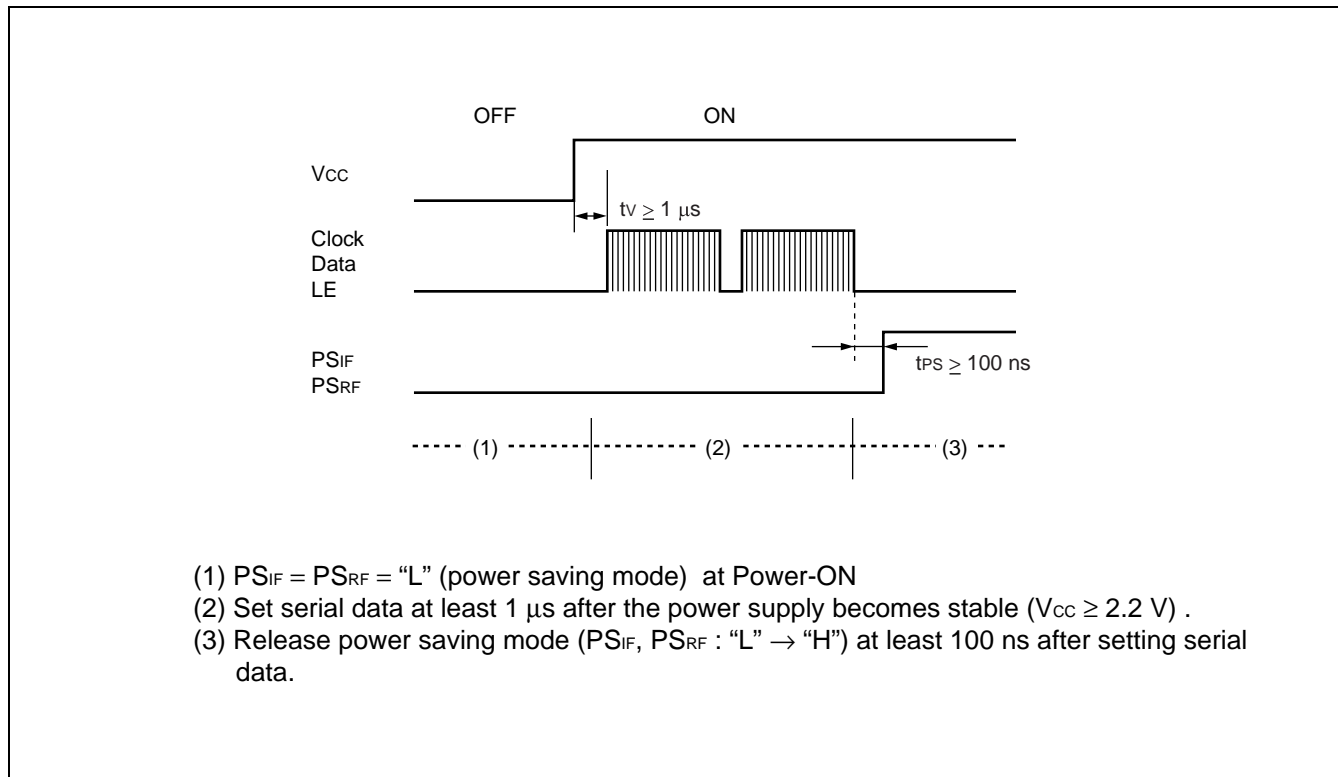
For the dual PLL, the lock detector, LD, is as shown in the LD Output Logic table.

Setting the PS pins high, releases the power saving mode, and the device works normally.

The intermittent mode control circuit also ensures a smooth startup when the device returns to normal operation. When the PLL is returned to normal operation, the phase comparator output signal is unpredictable. This is because of the unknown relationship between the comparison frequency (f_p) and the reference frequency (f_r) which can cause a major change in the comparator output, resulting in a VCO frequency jump and an increase in lockup time.

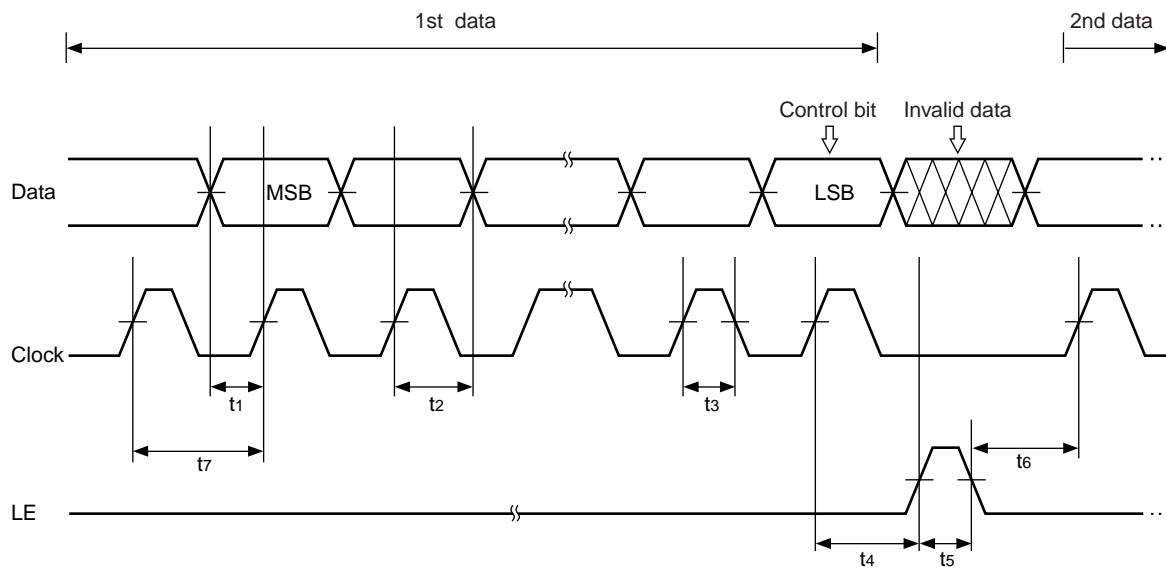
To prevent a major VCO frequency jump, the intermittent mode control circuit limits the magnitude of the error signal from the phase detector when it returns to normal operation.

- Notes :
- When power (V_{CC}) is first applied, the device must be in standby mode, PS_{IF} = PS_{RF} = Low.
 - Serial data input are done after the power supply becomes stable, and then the Power saving mode is released after completed the data input.



4. Serial Data Input Timing

Frequency multiplier setting is performed through a serial interface using the Data pin, Clock pin, and LE pin. Setting data is read into the shift register at the rise of the clock signal, and transferred to a latch at the rise of the LE signal. The following diagram shows the data input timing.

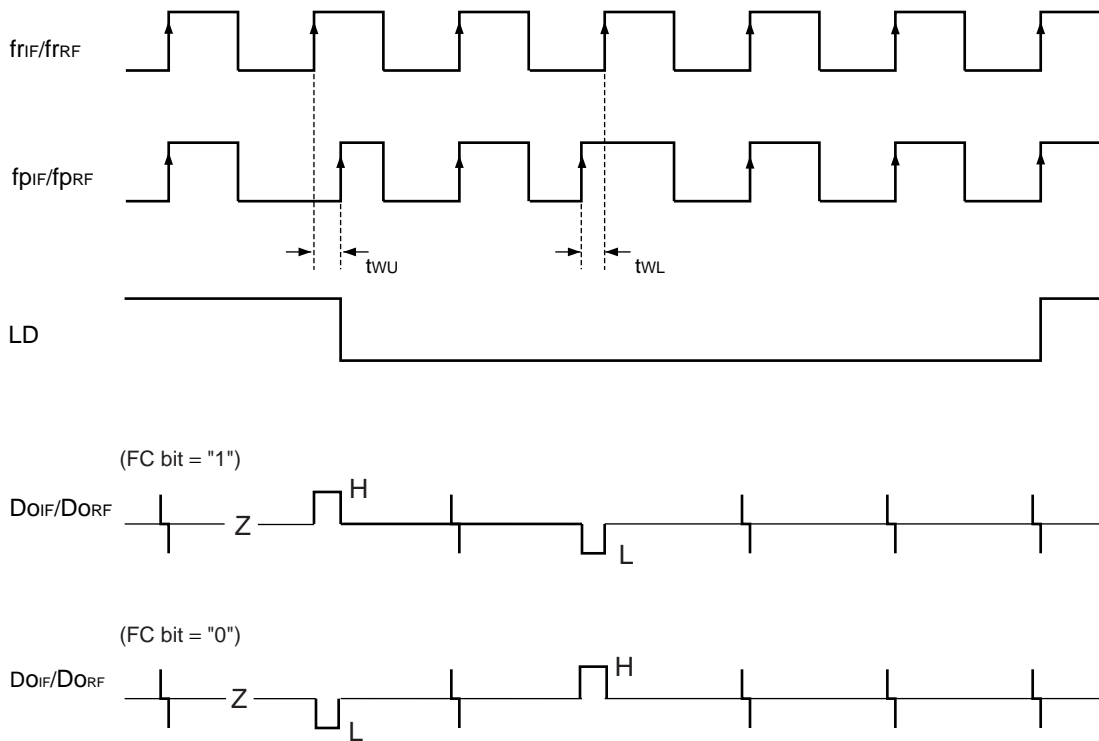


Parameter	Min	Typ	Max	Unit
t_1	20	—	—	ns
t_2	20	—	—	ns
t_3	30	—	—	ns
t_4	30	—	—	ns

Parameter	Min	Typ	Max	Unit
t_5	100	—	—	ns
t_6	20	—	—	ns
t_7	100	—	—	ns

Note : LE should be "L" when the data is transferred into the shift register.

■ PHASE COMPARATOR OUTPUT WAVEFORM



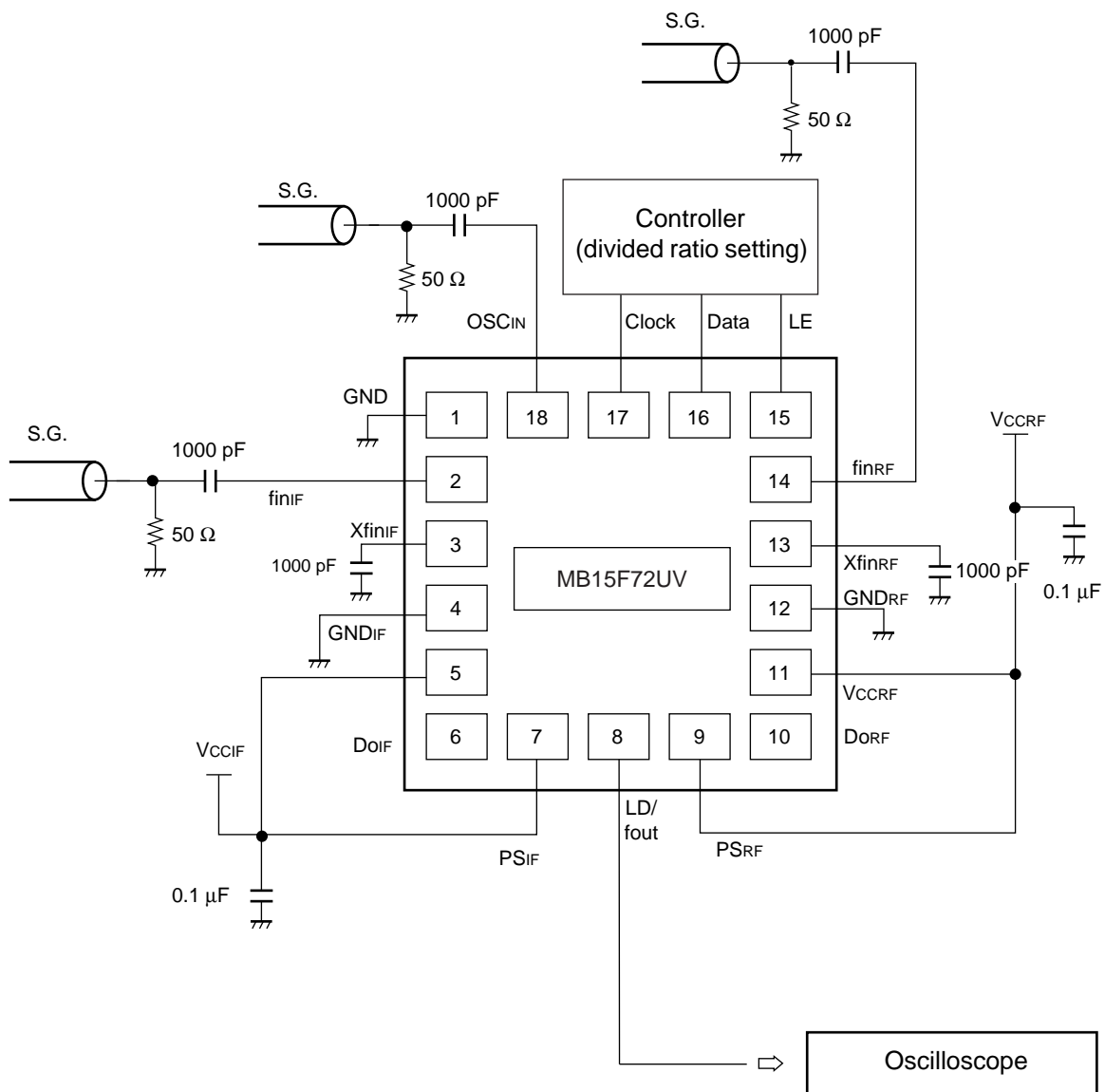
• LD Output Logic

IF-PLL section	RF-PLL section	LD output
Locking state/Power saving state	Locking state/Power saving state	H
Locking state/Power saving state	Unlocking state	L
Unlocking state	Locking state/Power saving state	L
Unlocking state	Unlocking state	L

Notes : • Phase error detection range = -2π to $+2\pi$

- Pulses on DOIF/DORF signals are output to prevent dead zone during locking state.
- LD output becomes low when phase error is t_{WU} or more.
- LD output becomes high when phase error is t_{WL} or less and continues to be so for three cycles or more.
- t_{WU} and t_{WL} depend on OSC_{IN} input frequency as follows.
 - $t_{WU} \geq 2/f_{osc}$: e.g. $t_{WU} \geq 156.3$ ns when $f_{osc} = 12.8$ MHz
 - $t_{WL} \leq 4/f_{osc}$: e.g. $t_{WL} \leq 312.5$ ns when $f_{osc} = 12.8$ MHz

■ TEST CIRCUIT (for Measuring Input Sensitivity f_{in}/OSC_{IN})

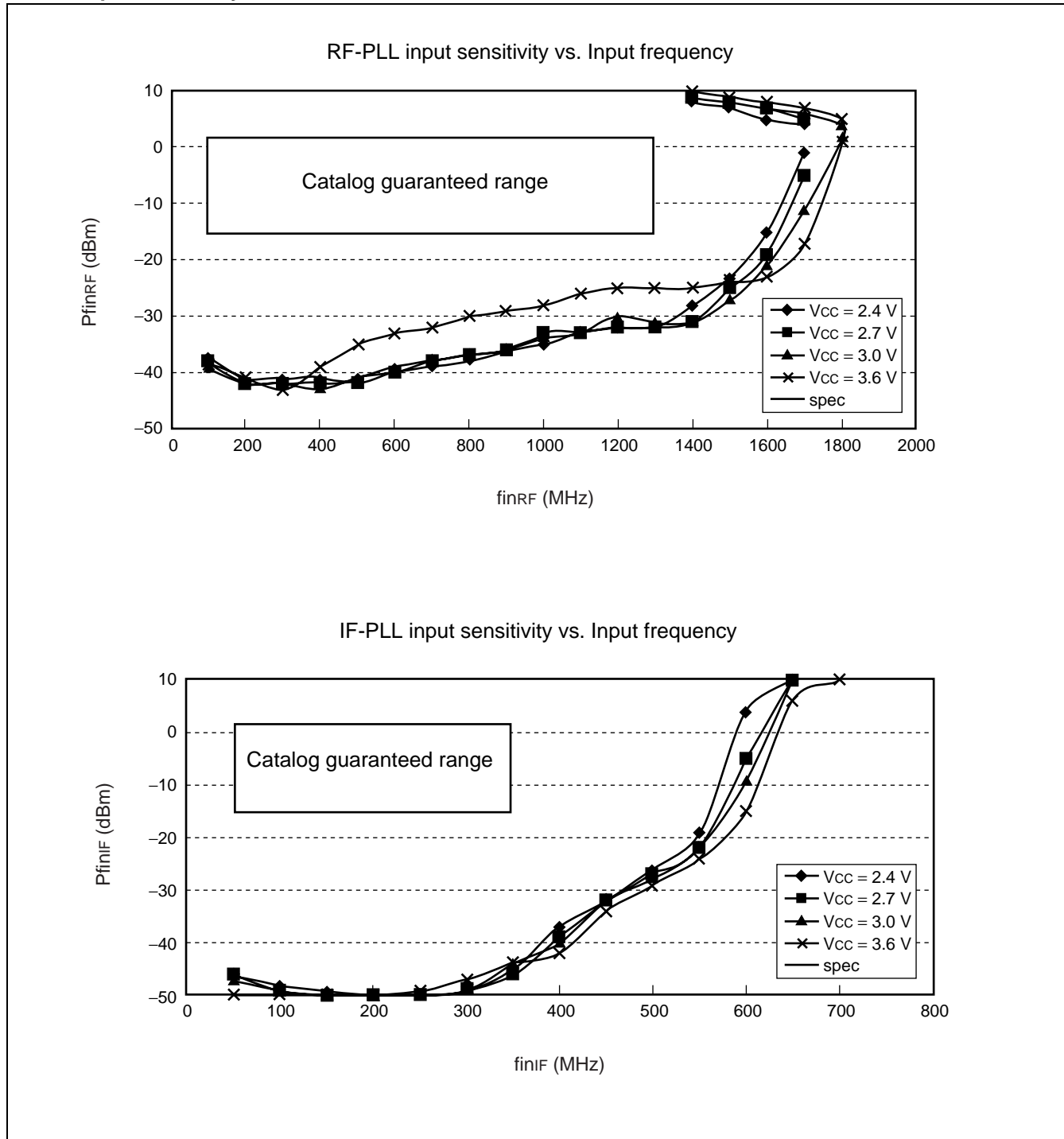


Note : Terminal number shows that of TSSOP-20.

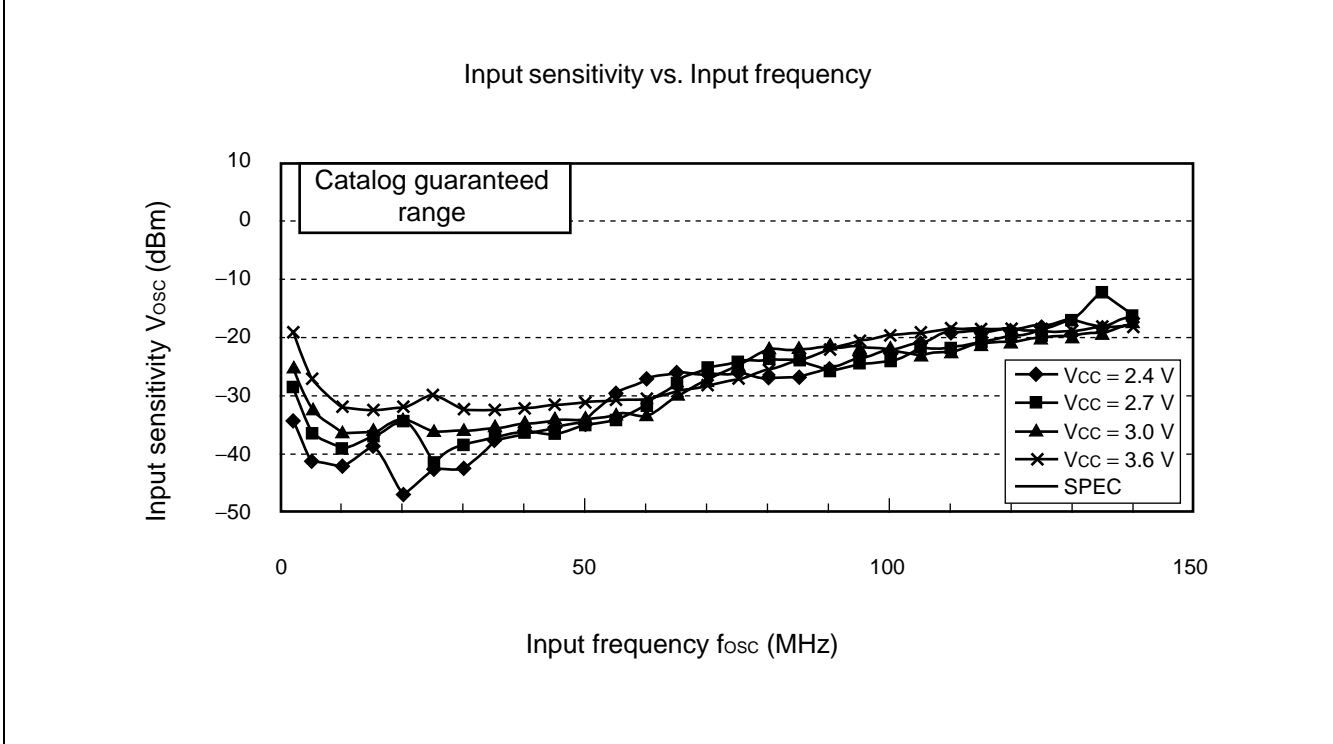
MB15F72UV

TYPICAL CHARACTERISTICS

1. fin input sensitivity

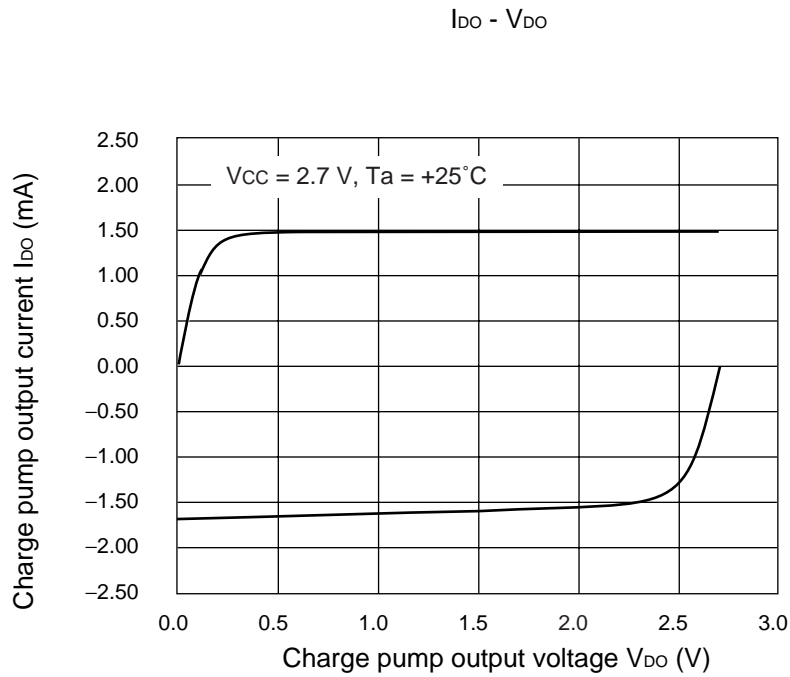


2. OSC_{IN} input sensitivity

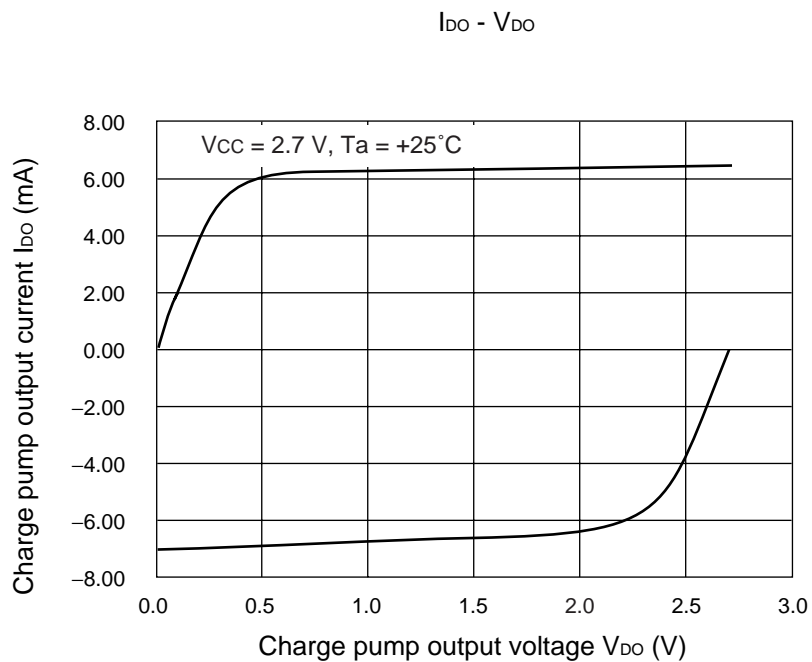


3. RF/IF-PLL Do output current

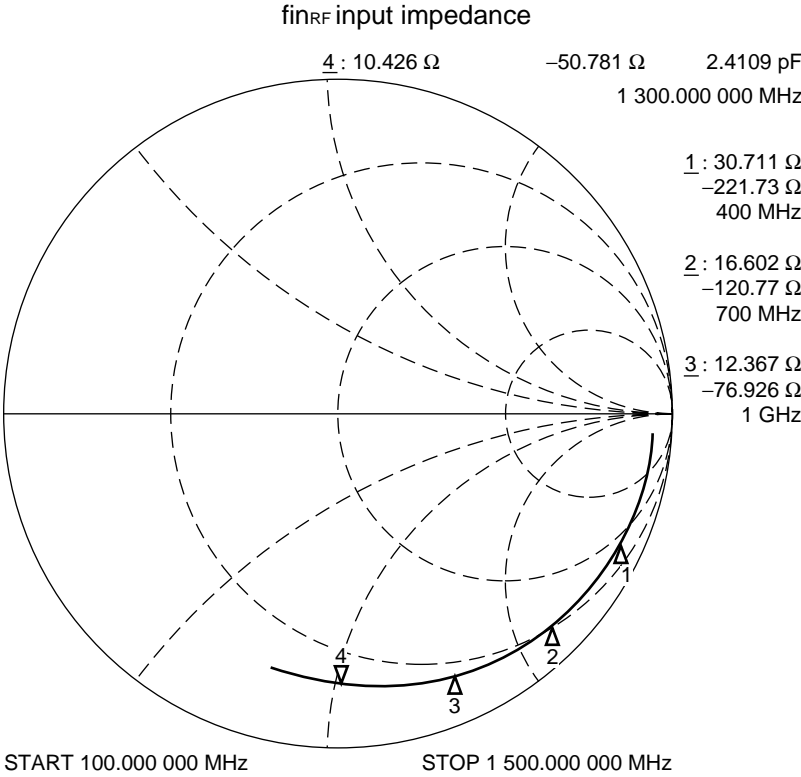
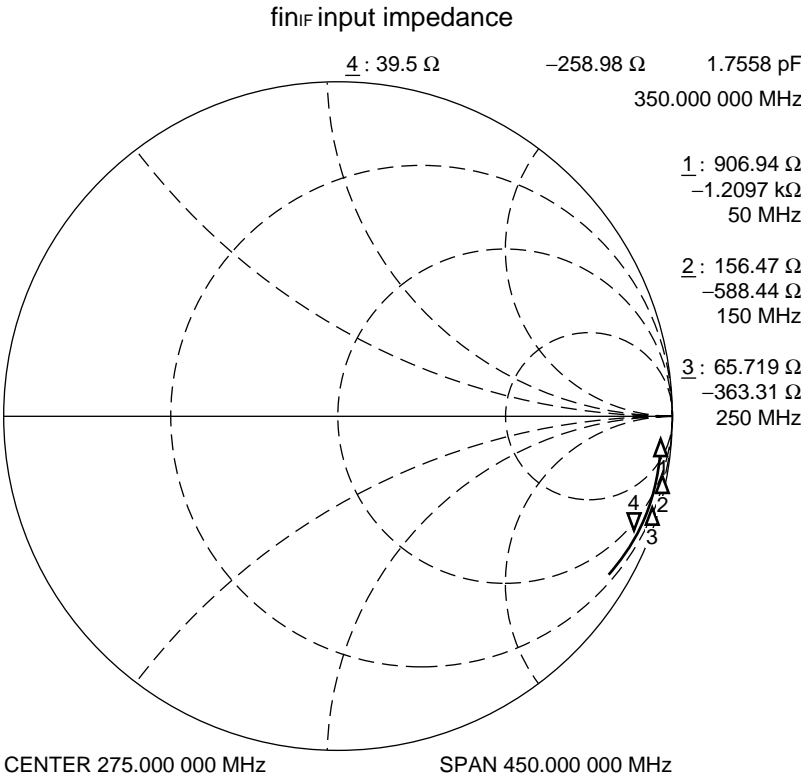
- 1.5 mA mode



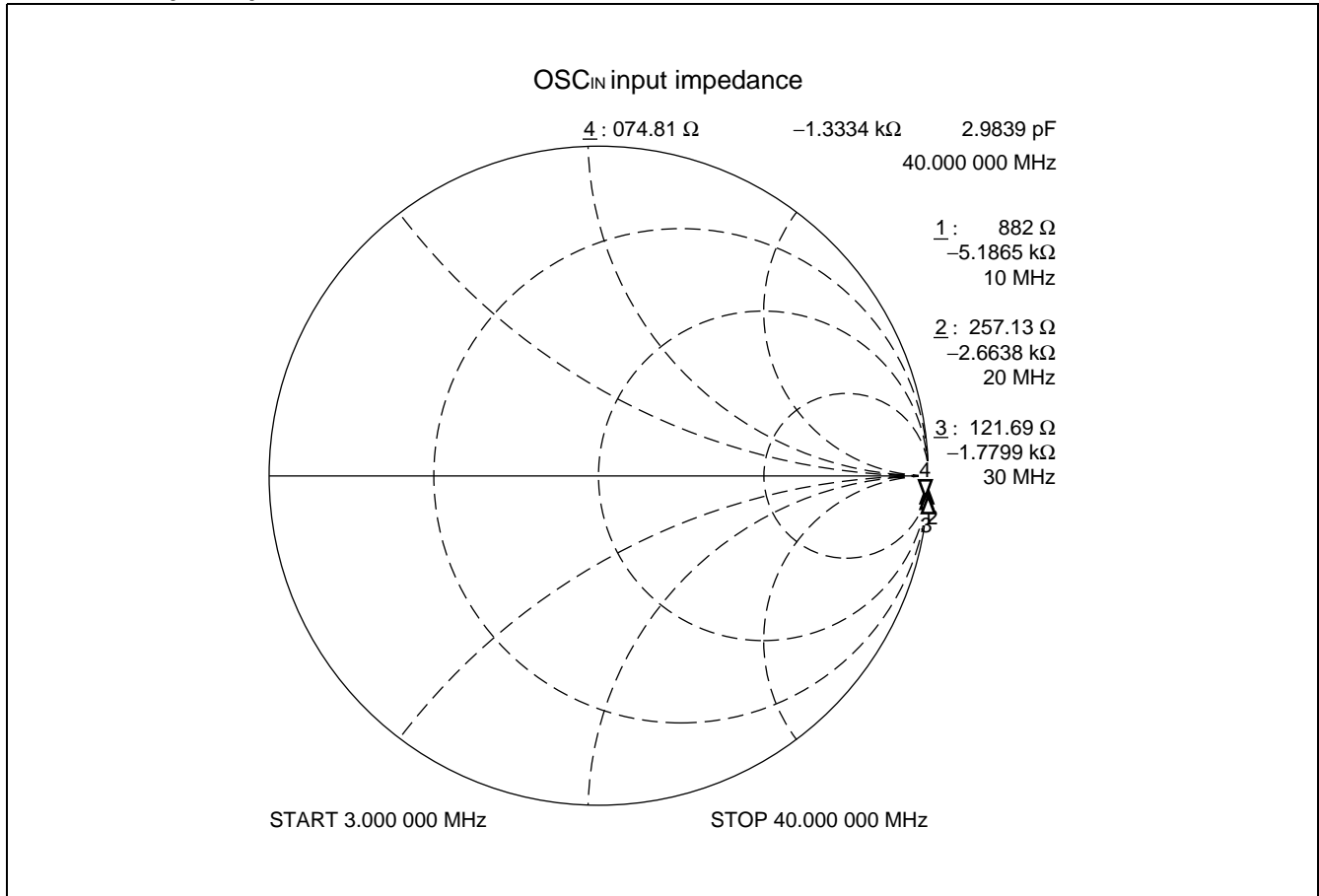
- 6.0 mA mode



4. fin input impedance

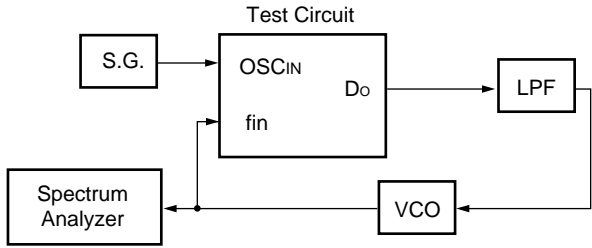


5. OSC_{IN} input impedance

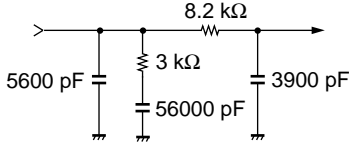


REFERENCE INFORMATION

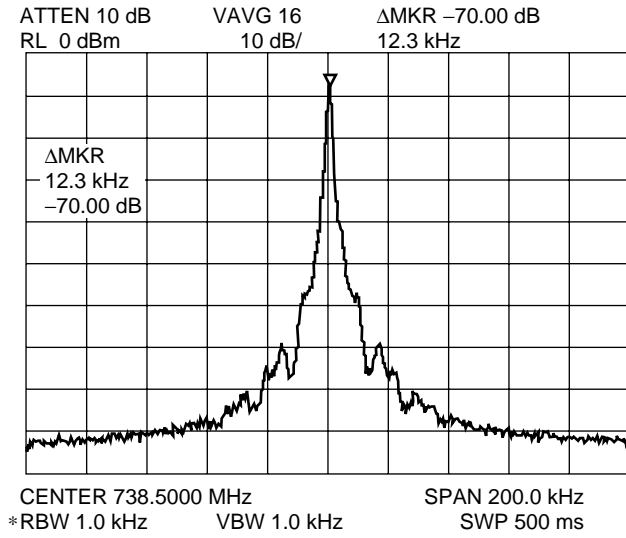
(for Lock-up Time, Phase Noise and Reference Leakage)



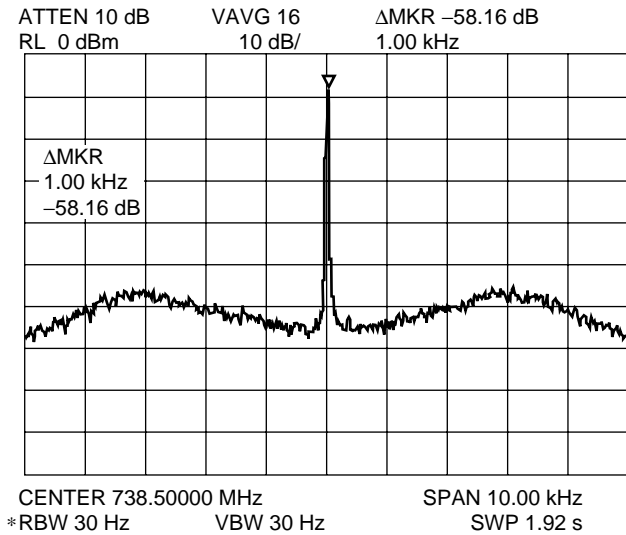
$f_{VCO} = 738.5 \text{ MHz}$ $V_{CC} = 2.7 \text{ V}$
 $K_V = 30 \text{ MHz/V}$ $V_{VCO} = 3.75 \text{ V}$
 $f_r = 12.5 \text{ kHz}$ $T_a = +25 \text{ }^\circ\text{C}$
 $f_{osc} = 19.8 \text{ MHz}$ $CP : 6 \text{ mA mode}$
 LPF



• PLL Reference Leakage



• PLL Phase Noise



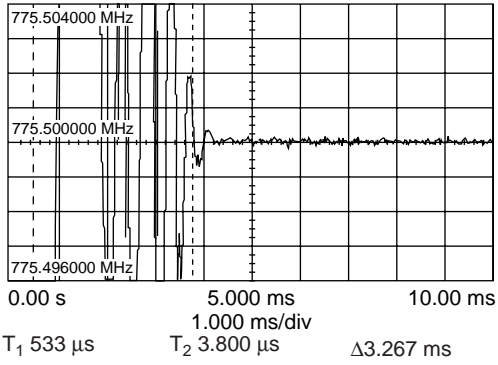
(Continued)

MB15F72UV

(Continued)

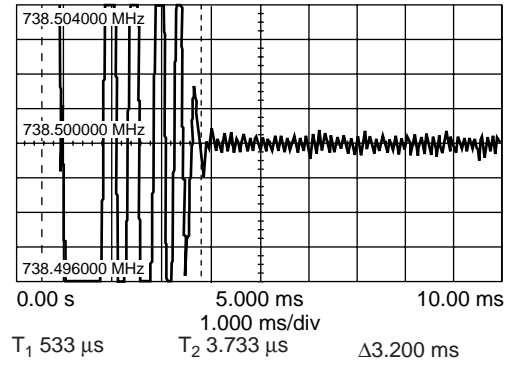
• PLL Lock Up time

738.5 MHz → 775.5 MHz within ± 1 kHz
Lch → Hch 3.267 ms

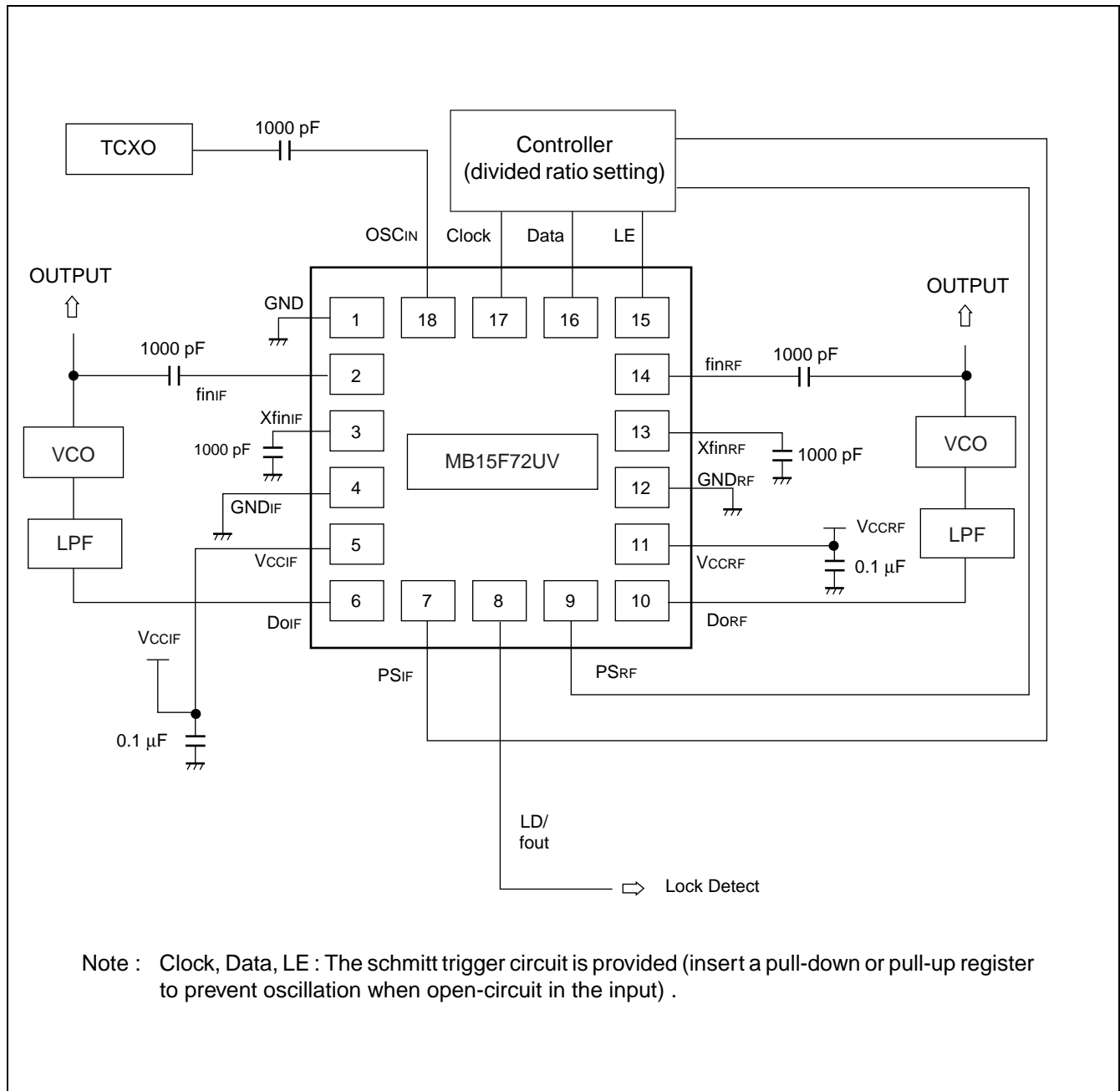


• PLL Lock Up time

775.5 MHz → 738.5 MHz within ± 1 kHz
Hch → Lch 3.2 ms



APPLICATION EXAMPLE



MB15F72UV

■ USAGE PRECAUTIONS

(1) V_{CCRF} and V_{CCIF} must be equal voltage.

Even if either RF-PLL or IF-PLL is not used, power must be supplied to V_{CCRF} and V_{CCIF} to keep them equal. It is recommended that the non-use PLL is controlled by power saving function.

(2) To protect against damage by electrostatic discharge, note the following handling precautions :

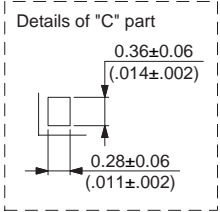
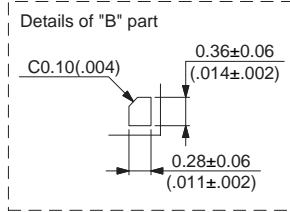
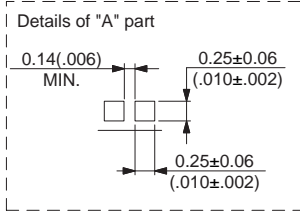
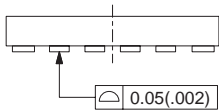
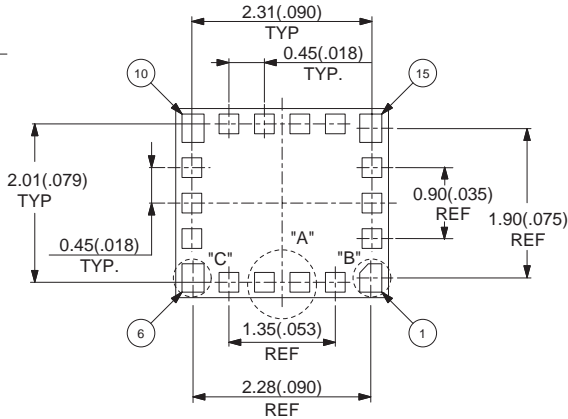
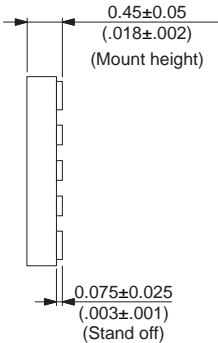
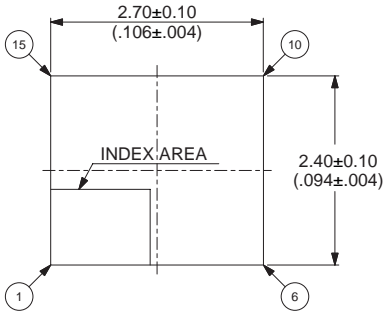
- Store and transport devices in conductive containers.
- Use properly grounded workstations, tools, and equipment.
- Turn off power before inserting or removing this device into or from a socket.
- Protect leads with conductive sheet, when transporting a board mounted device.

■ ORDERING INFORMATION

Part number	Package	Remarks
MB15F72UVPVB	18-pin plastic BCC (LCC-18P-M05)	

■ PACKAGE DIMENSION

18-pin plastic BCC
(LCC-18P-M05)



© 2003 FUJITSU LIMITED C18058S-c-1-1

Dimensions in mm (inches)
Note : The values in parentheses are reference values.

FUJITSU LIMITED

All Rights Reserved.

The contents of this document are subject to change without notice. Customers are advised to consult with FUJITSU sales representatives before ordering.

The information, such as descriptions of function and application circuit examples, in this document are presented solely for the purpose of reference to show examples of operations and uses of Fujitsu semiconductor device; Fujitsu does not warrant proper operation of the device with respect to use based on such information. When you develop equipment incorporating the device based on such information, you must assume any responsibility arising out of such use of the information. Fujitsu assumes no liability for any damages whatsoever arising out of the use of the information.

Any information in this document, including descriptions of function and schematic diagrams, shall not be construed as license of the use or exercise of any intellectual property right, such as patent right or copyright, or any other right of Fujitsu or any third party or does Fujitsu warrant non-infringement of any third-party's intellectual property right or other right by using such information. Fujitsu assumes no liability for any infringement of the intellectual property rights or other rights of third parties which would result from the use of information contained herein.

The products described in this document are designed, developed and manufactured as contemplated for general use, including without limitation, ordinary industrial use, general office use, personal use, and household use, but are not designed, developed and manufactured as contemplated (1) for use accompanying fatal risks or dangers that, unless extremely high safety is secured, could have a serious effect to the public, and could lead directly to death, personal injury, severe physical damage or other loss (i.e., nuclear reaction control in nuclear facility, aircraft flight control, air traffic control, mass transport control, medical life support system, missile launch control in weapon system), or (2) for use requiring extremely high reliability (i.e., submersible repeater and artificial satellite).

Please note that Fujitsu will not be liable against you and/or any third party for any claims or damages arising in connection with above-mentioned uses of the products.

Any semiconductor devices have an inherent chance of failure. You must protect against injury, damage or loss from such failures by incorporating safety design measures into your facility and equipment such as redundancy, fire protection, and prevention of over-current levels and other abnormal operating conditions.

If any products described in this document represent goods or technologies subject to certain restrictions on export under the Foreign Exchange and Foreign Trade Law of Japan, the prior authorization by Japanese government will be required for export of those products from Japan.